



STUBBY SERIES GAS DECK OVENS



Model 4151
with optional casters



SPECIFICATIONS

BAKERS PRIDE Stabby Series gas Deck Ovens are designed for high volume pizza and all-purpose operations and are only 33" deep (838mm) to fit in line with other kitchen equipment.

Ovens may be stacked three high. Oven exteriors are all heavy-gauge, type 403 stainless steel and are fully insulated for cooler outer temperatures and consistent interior temperatures.

Interior oven frame is constructed of 1/4" (6mm) heavy-duty angle iron frame, completely welded to form a single, unitized section. The oven body and lining are then welded to the framework.

Oven interiors are manufactured of high-heat resistant 16-gauge aluminized steel. Doors are fully insulated, spring balanced with tubular steel handles and will remain open or closed until moved.

All models feature independent, operator-controlled top & bottom heat control damper.

Stabby Series features a 300°-650° F (149°-343°C) throttling thermostat, 8" (203mm) interior deck height with 1 1/2" (38mm) thick hearth stone decks (steel decks optional) and are supported by a 1/4" (6mm) angle iron frame.

Combination gas control incorporates a manual gas valve, pilot safety and pressure regulator. Easily removable, slide-out, heavy-duty flame diverters distribute the burner flame uniformly in the burner chamber. A 3/4" (19mm) NPT gas connection is located on the left side and left rear of oven - operator/installer may choose.

Heavy-duty, 7-gauge hot rolled steel legs are standard and finished with durable Bakertone.

2 Year limited parts and labor warranty standard.

Job _____ Item # _____

GAS DECK OVENS



Single	Double	Triple
151	152	153
3151	3152	3153
4151	4152	4153

STANDARD FEATURES

- 48,000 to 70,000 BTUH per deck, natural or LP gas (LP not CE approved)
- 300°-650° F (149°-343°C) throttling thermostat
- Top & bottom heat control damper
- Combination gas controls with valve, regulator & pilot safety
- Heavy-duty, slide-out flame diverters
- 8" (203mm) interior deck heights with 1 1/2" (38mm) thick hearth stone decks
- All stainless steel exteriors
- Aluminized steel interiors
- Spring balanced, fully insulated doors
- Side or rear gas connections
- 7-Gauge legs
- Fully insulated throughout
- 2 Year limited part and labor warranty

OPTIONS & ACCESSORIES

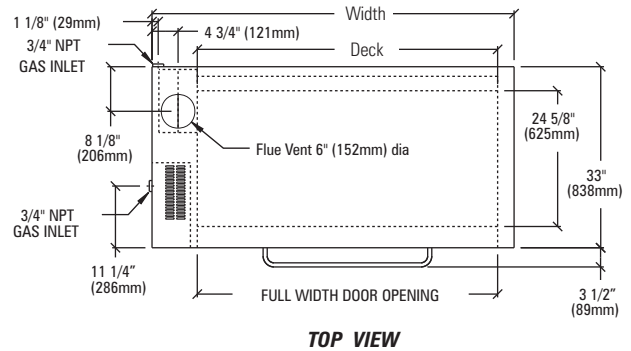
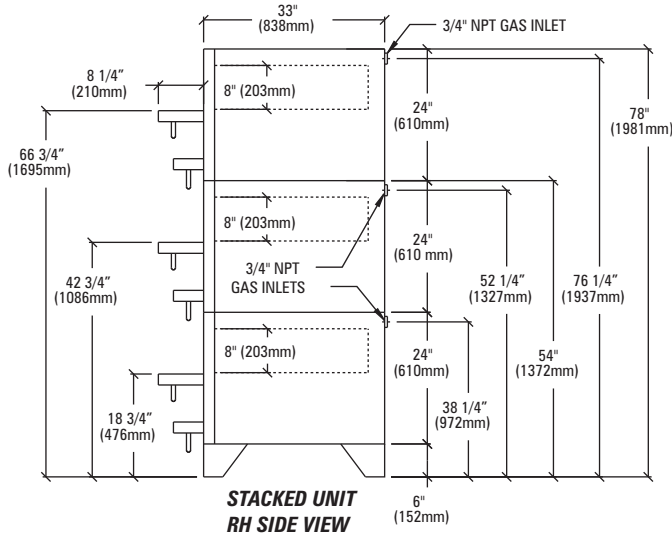
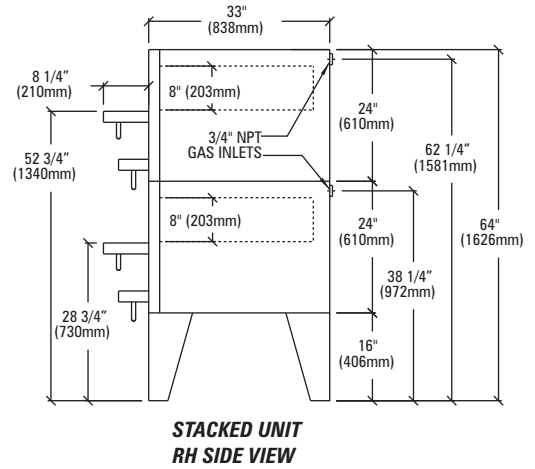
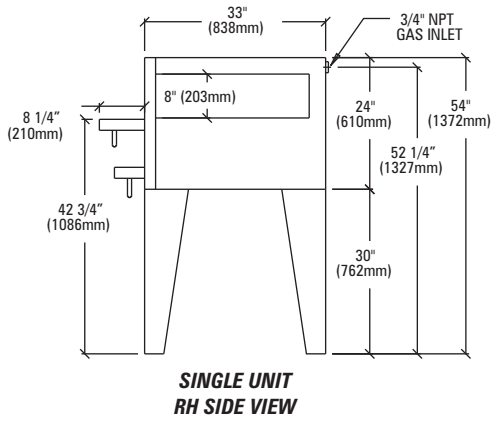
- Steel decks
- 150°-550° F (65°-288°C) thermostat
- Set of 4 casters - two with locks
- Stainless steel leg covers
- Special height legs
- Steam Injection
- Automatic oven starter
- Draft flue for direct vent (not available on CE units)

CERTIFICATIONS



BAKERS PRIDE OVEN COMPANY, INC.
30 Pine Street, New Rochelle, NY 10801
914/576-0200 • 1-800-431-2745 • fax 914/576-0605
www.bakerspride.com

Continuous product improvement is a policy of Bakers Pride Oven Company. Therefore, specifications and design are subject to change without notification



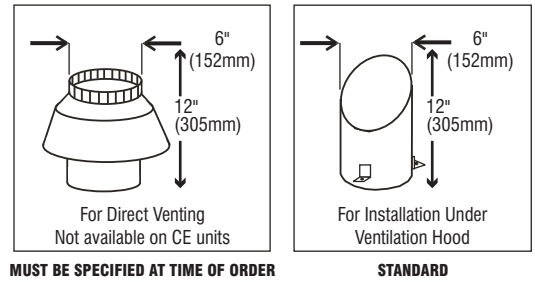
ALL DIMENSIONS NOMINAL

Model	Shipping Weight		Carton Dimensions				Crate Size			
	Lbs.	Kilos	Width Inches	mm	Depth Inches	mm	Height Inches	mm	Cubic Feet	Cubic Meter
151	820	372	53	1346	40	1016	37	940	44.4	1.4
3151	958	434	52	1321	36	914	72	1829	76.2	2.7
4151	1093	496	52	1321	36	914	72	1829	76.2	2.7

Shipping Class # 70
Each oven ships separately
Hearth decks & legs ship in separate cartons

Model	Deck Size				# Decks	Overall Dimensions					
	Inches	mm	Height Inches	mm		Width Inches	mm	Depth Inches	mm	*Height Inches	mm
151	36x24 1/2	914x622	8	203	1	48	1219	33	838	54	1372
152	36x24 1/2	914x622	8	203	2	48	1219	33	838	64	1626
153	36x24 1/2	914x622	8	203	3	48	1219	33	838	78	1981
3151	45x24 1/2	1143x622	8	203	1	57	1448	33	838	54	1372
3152	45x24 1/2	1143x622	8	203	2	57	1448	33	838	64	1626
3153	45x24 1/2	1143x622	8	203	3	57	1448	33	838	78	1981
4151	54x24 1/2	1372x622	8	203	1	66	1676	33	838	54	1372
4152	54x24 1/2	1372x622	8	203	2	66	1676	33	838	64	1626
4153	54x24 1/2	1372x622	8	203	3	66	1676	33	838	78	1981

* Height includes 30" (762 mm) standard legs on models 151,3151,4151
* Height includes 6" (152 mm) standard legs on models 153,3153,4153
* Height includes 16" (406 mm) standard legs on models 152,3152,4152
CE approved units may only be stacked two high



Model	BTUH	KW	CONNECTION
151	48,000	14	3/4"
3151	70,000	21	3/4"
4151	70,000	21	3/4"

Each oven requires separate gas connection
CE certification not available in LP gas

	Non-Combustible Construction*		Combustible Construction**	
	Inches	mm	Inches	mm
Left Side	0	0	1	25
Right Side	0	0	3	76
Rear	2	51	3	76

* In European Community Countries and North America. In NON-COMBUSTIBLE locations only.
** In European Community Countries only in COMBUSTIBLE locations. NOT for North America.



BAKERS PRIDE OVEN COMPANY, INC.
30 Pine Street, New Rochelle, NY 10801
914/576-0200 • 1-800-431-2745 • fax 914/576-0605
www.bakerspride.com

Continuous product improvement is a policy of Bakers Pride Oven Company.
Therefore, specifications and design are subject to change without notification

TSW: 11/07