



ROYAL SERIES PLUMBING TWIST WASTE DRAIN

MODEL: _____ PROJECT: _____ ITEM #: _____ QTY: _____

PRODUCT IMAGE



STANDARD FEATURES

- Comes with 1 1/2" drain outlet adapter
- Stainless steel strainer, flange & handle
- Drain outlet adapter now tapered with rubber washer

22-104 SHOWN

**THIS PRODUCT DOES NOT REQUIRE
LOW LEAD COMPLIANCE**

SPECIFICATIONS

Model Numbers	Sink Opening	Drain Outlet	Quantity per Case
22-101	3"	2" NPS	12
22-104	3 1/2"	2" NPS	12



APPROVED BY:

CERTIFICATIONS:

Due to our commitment to continued product improvement, specifications are subject to change without notice.

Printed in the USA

Krowne Metal Corporation

100 Haul Rd. Wayne, NJ 07470 • Toll Free: (800) 631-0442 • Fax: (973) 872-1129
sales@krowne.com • www.krowne.com • www.facebook.com/KrowneMetal • www.twitter.com/KrowneMetal

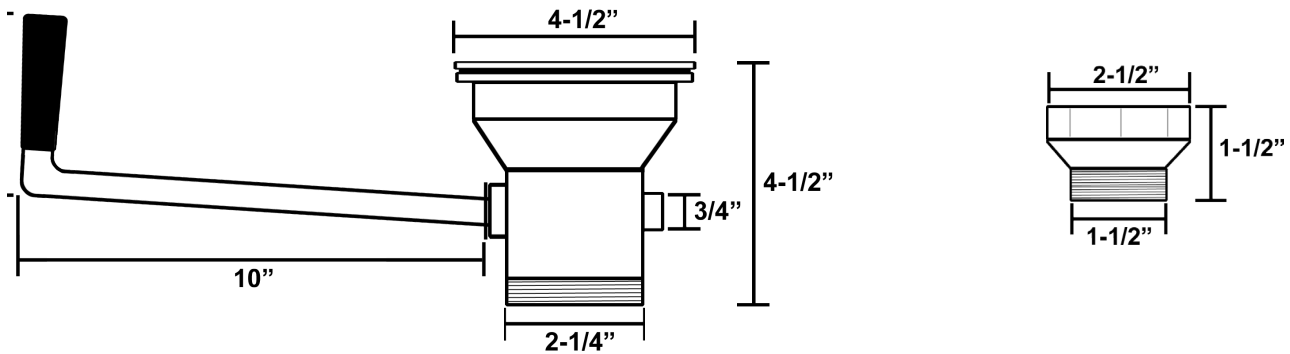
Rev. 06/2012
No. 22-101,4



ROYAL SERIES PLUMBING TWIST WASTE DRAIN

MODEL: _____ PROJECT: _____ ITEM #: _____ QTY: _____

DRAWING



APPROVED BY:

CERTIFICATIONS:

Due to our commitment to continued product improvement, specifications are subject to change without notice.

Printed in the USA

Krowne Metal Corporation

100 Haul Rd. Wayne, NJ 07470 • Toll Free: (800) 631-0442 • Fax: (973) 872-1129
sales@krowne.com • www.krowne.com • www.facebook.com/KrowneMetal • www.twitter.com/KrowneMetal

Rev. 06/2012
No. 22-101,4