



ROYAL SERIES PLUMBING

WASTE DRAIN OVERFLOW ASSEMBLY

MODEL: _____ PROJECT: _____ ITEM #: _____ QTY: _____

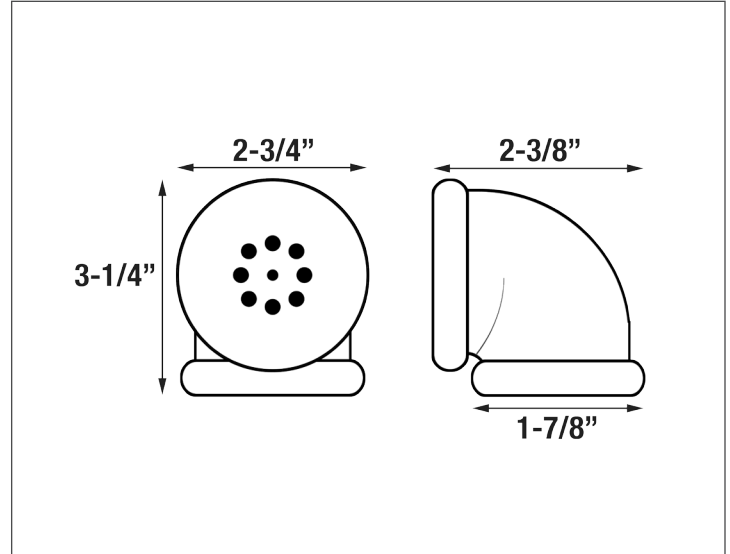
PRODUCT IMAGE



22-500 SHOWN

**THIS PRODUCT DOES NOT REQUIRE
LOW LEAD COMPLIANCE**

DRAWING



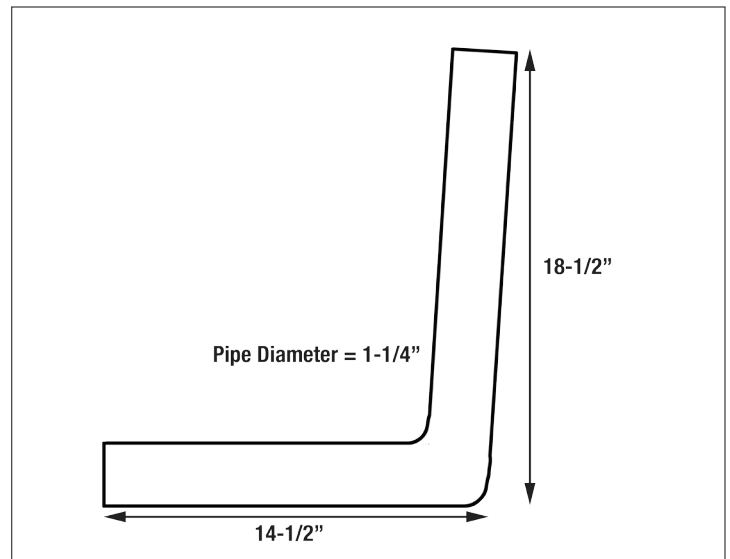
PRODUCT IMAGE



22-501 SHOWN

**THIS PRODUCT DOES NOT REQUIRE
LOW LEAD COMPLIANCE**

DRAWING



APPROVED BY:

CERTIFICATIONS:

Due to our commitment to continued product improvement, specifications are subject to change without notice.

Printed in the USA

Krowne Metal Corporation

100 Haul Rd. Wayne, NJ 07470 • Toll Free: (800) 631-0442 • Fax: (973) 872-1129
sales@krowne.com • www.krowne.com • www.facebook.com/KrowneMetal • www.twitter.com/KrowneMetal

Rev. 09/2011
No. 22-500,1