



BEVERAGE-AIR

PO Box 5932, Spartanburg, SC 29304
1-888-845-9800 Fax# 1-864-582-5083
<http://www.Beverage-Air.com>

Commercial Refrigeration Equipment General Specification

DD 23" BASE SERIES—DIRECT DRAW DISPENSERS

Shallow depth, direct draw dispensers come in two widths of 48" and 72." Depth is 23" from face of door to back of cabinet. Handle projects 1/2."

CABINET CONSTRUCTION

Standard, cabinet exterior construction includes attractive, wear resistant vinyl on steel in black exterior finish. Top is made from heavy-duty stainless steel including drip tray(s) for easy cleaning.

Doors are self-closing and include key locks. Magnetic gaskets provide positive door sealing.

Standard interior construction utilizes galvanized steel walls and ceiling. Reinforced floor and door sills are made from heavy-duty stainless steel to provide long lasting service.

Foamed-in-place CFC and HCFC-free polyurethane insulation enhances the structural strength of the cabinet and helps increase energy efficiency.

Three-inch (3") insulated towers are provided. Towers are adapted to have a continuous source of cold air channeled into it to keep beer at its coldest, best quality the moment it is dispensed.

REFRIGERATION

Models feature forced air refrigeration to keep beer in kegs ice cold for dispensing. Refrigeration system uses R134a refrigerant, which is CFC and HCFC-free for compliance with environmental safety concerns.

ELECTRICAL

Units wired at factory and ready for connection to a 115/60/1 phase, 15 amp dedicated outlet. 8' long cord and plug set included.

SPECIAL FEATURES

- Key locks
- Stainless options available

Item No. _____

Quantity _____

**DRAFT BEER EQUIPMENT
DIRECT DRAW DISPENSERS
23" BASE
DD SERIES**

**MODELS:
DD48/DD48Y
DD72/DD72Y**



DD48



DD72



*Note: Not all markings may apply to all model variations.

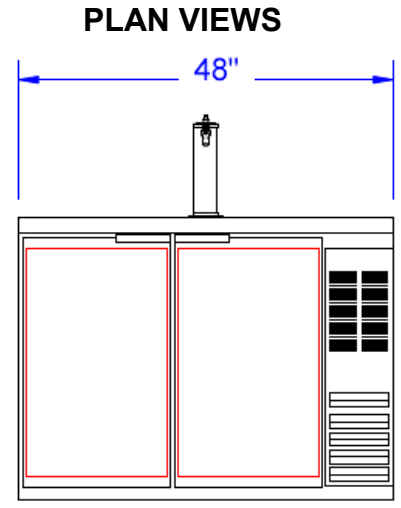
Available From:

Model Specified _____	Store# _____
Location _____	Quantity _____

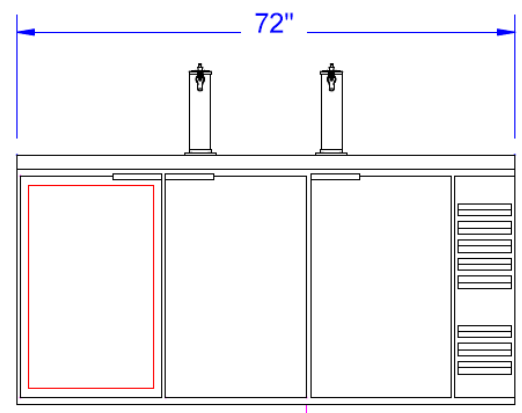


Direct Draw Dispensers, 23" Base
Models: DD48, DD48Y, DD72, DD72Y

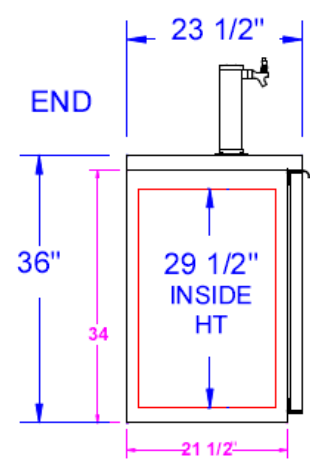
MODEL	DD48	DD48Y	DD72	DD72Y
EXTERNAL DIMENSIONAL DATA				
Length Overall (inches)	48"	48"	72"	72"
Length Overall (mm)	1219	1219	1829	1829
Depth Overall (inches)	23 1/2"	23 1/2"	23 1/2"	23 1/2"
Depth Overall (mm)	597	597	597	597
Height Overall— (inches)	36"	36"	36"	36"
Height Overall— (mm)	914	914	914	914
Clear Door Width (inches)	16 7/16" x 29 1/4"	16 7/16" x 29 1/4"	16 7/16" x 29 1/4"	16 7/16" x 29 1/4"
Depth With Door Open 90°	42 3/4"	42 3/4"	42 3/4"	42 3/4"
Number of doors	2	2	3	3
INTERNAL DIMENSIONAL DATA				
NET Capacity (cubic ft.)	12.4	12.4	20.6	20.6
NET Capacity (Liters)	351	351	583	583
Internal Length Overall (inches)	36"	36"	60"	60"
Internal Length Overall (mm)	914	914	1524	1524
Internal Depth Overall (inches)	18 1/2"	18 1/2"	18 1/2"	18 1/2"
Internal Depth Overall (mm)	470	470	470	470
Internal Height Overall (inches)	29 1/2"	29 1/2"	29 1/2"	29 1/2"
Internal Height Overall (mm)	749	749	749	749
Number of Kegs (straight wall)	2	2	3	3
ELECTRICAL DATA				
Full Load Amperes 115/60/1	6	5	6	5
ENERGY CONSUMPTION (KWH)				
	4.06	3.19	4.36	3.67
REFRIGERATION DATA				
Horsepower	1/4	1/4	1/4	1/4
WEIGHT DATA				
Gross Weight (Crated lbs)	245	245	326	326
Gross Weight (Crated kg)	111	111	148	148



FRONT
DD48



FRONT
DD72



COMMON END VIEW



*Note: Not all markings may apply to all model variations.

ELECTRICAL CONNECTION
 Units pre-wired at factory and include 8' long cord and plug set.



BEVERAGE-AIR® CORPORATION