



ROYAL SERIES PLUMBING ENCLOSED STAINLESS STEEL HOSE REEL

MODEL: **24-600** PROJECT: _____ ITEM #: _____ QTY: _____

PRODUCT IMAGE



24-600 SHOWN

**THIS PRODUCT DOES NOT REQUIRE
LOW LEAD COMPLIANCE**

STANDARD FEATURES

- Enclosed stainless steel hose reel

SPECIFICATIONS

- Full 35' hose length
- Heavy-duty hose tested to 210°F (99°C) and 250 PSI (18 BAR)
- Mounts on 3/8"-18 NPT inlets
- Shipping weight: 36 lbs.



APPROVED BY:

CERTIFICATIONS:

Due to our commitment to continued product improvement, specifications are subject to change without notice.

Printed in the USA

Krowne Metal Corporation

100 Haul Rd. Wayne, NJ 07470 • Toll Free: (800) 631-0442 • Fax: (973) 872-1129
sales@krowne.com • www.krowne.com • www.facebook.com/KrowneMetal • www.twitter.com/KrowneMetal

Rev. 02/2012
No. 24-600

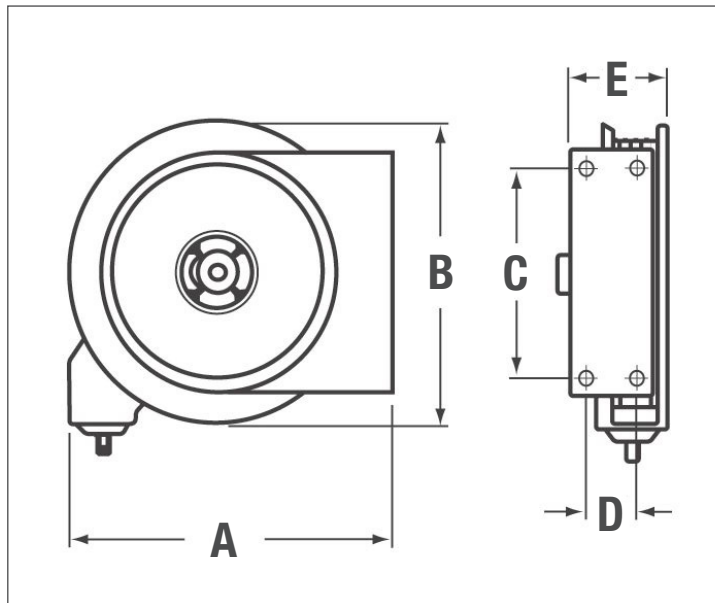


ROYAL SERIES PLUMBING ENCLOSED STAINLESS STEEL HOSE REEL

MODEL: **24-600**

PROJECT: _____ ITEM #: _____ QTY: _____

DRAWING



A	14 1/2"
B	15"
C	9 3/4"
D	2 1/2"
E	7"



APPROVED BY:

CERTIFICATIONS:

Due to our commitment to continued product improvement, specifications are subject to change without notice.