

Q-Model Series 210 Ice Cube Machine



Manitowoc



Q-Model Series 210

- Up to 220* lbs. (100 kgs.) daily ice production
**Production rating outside the scope of ARI Standard 820.*
- Only 26" (66.04 cm) wide, 26.50" (67.31 cm) deep, and 38.50" (82.55 cm) high on 6" (15.24 cm) legs
- 80 lb. (36.6 kg) ice storage capacity
- Slide up and in bin door tucks under ice machine top cover. Patented ice damper maximizes ice storage capacity
- Stainless steel exterior with the fit and finish of an appliance

- Patented cleaning and sanitizing technology
- R-404A CFC-free refrigerant
- Warranty
 - 5-year parts and 5-year labor coverage on ice machine evaporator
 - 5-year parts and 3-year labor coverage on ice machine compressor
 - 3-year parts-and-labor coverage on all other components



ISO 9001 Quality
System Certified

America's #1 Selling Ice Machine

Ice Cube & Flake Machines • Ice Storage Bins • Ice Dispensers

Manitowoc
Foodservice Group

Manitowoc Q-Model 210 Series

Model	Cube size	Ice production 24 hours		Power kWh/100 lbs.
		lbs.	kgs.	
QD-0212A	dice	155	70	9.9
QD-0213W	dice	190	86	6.8
QY-0214A	half-dice	155	70	9.9
QY-0215W	half-dice	190	86	6.8
Water usage/100 lbs./45.4 kgs. of ice				
Potable Water: 33.5 gallons, 127 liters • Water-cooled Condenser: 142 gallons, 537 liters				

A or *W* following model number indicates "Air" or "Water" condensing unit.

 **Certified in Accordance with ARI Ice Storage Bins Certification Program, which is based on ARI Standard 820**

Ice Machine Electric

115/60/1, (208-230/60/1 and 230/50/1 also available.) 115/60/1 ice machines are factory pre-wired with a 6' (180 cm) power cord and NEMA 5-15P-plug configuration. 208-230/60/1 ice machines are factory pre-wired with a 6' (180 cm) power cord only, no plug is supplied.

Total Amps: Air-cooled: 7.8 amps
Water-cooled: 7.0 amps

Maximum fuse size:

Air and Water-cooled: 15 amps

HACR-type circuit breakers can be used in place of fuses.

Specifications

BTU Per Hour:

3,800 (average) 5,000 (peak)

Compressor:

Nominal rating: 1/3 HP

Cupra-Nickel Condenser:

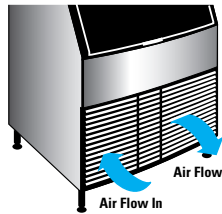
(Water-cooled models)
Adds protection from corrosive water elements.

Operating Limits:

- Ambient Temperature Range: 40° to 110°F (4.4° to 43.3°C)
- Water Temperature Range: 40° to 90°F (4.4° to 32.2°C)
- Water Pressure Ice Maker Water In: Min. 20 psi (137.9 kPa) Max. 80 psi (551.1 kPa)
- Condenser Inlet Water In: (Water cooled only) Min. 20 psi (137.9 kPa) Max. 150 psi (1,034.2 kPa)



Air Flow Front View



Air in left, air out right, no side vents.

Air Filter



Slides out from left side front without tools, easy to clean, reusable filter protects condenser from lint, grease and dust.

2 Cube Sizes Available



Half Dice
3/8" x 1 1/8" x 7/8"
(.95 x 2.86 x 2.22 cm)

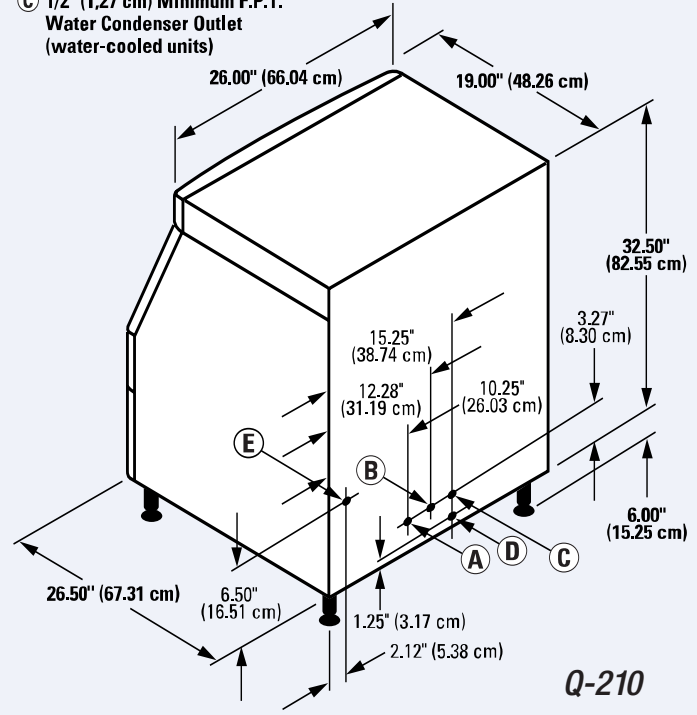


Dice
7/8" x 7/8" x 7/8"
(2.22 x 2.22 x 2.22 cm)

24-HOUR PRODUCTION †						lbs. kgs.	
AIR-COOLED UNIT			WATER-COOLED UNIT				
air temp	water temp			air temp	water temp		
°F	50°	70°	90°	°F	50°	70°	90°
°C	10°	21°	32°	°C	10°	21°	32°
70°	215	185	165	70°	220	205	170
21°	98	84	75	21°	100	93	77
80°	200	170	150	80°	215	200	165
27°	91	77	68	27°	98	91	75
90°	185	155	135	90°	205	190	155
32°	84	70	61	32°	93	86	70

†Production for Dice and Half Dice cubes.

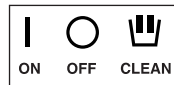
- Ⓐ Electrical Entrance
- Ⓑ 3/8" (0.95 cm) F.P.T. Ice Making Water Inlet
- Ⓒ 1/2" (1.27 cm) Minimum F.P.T. Water Condenser Outlet (water-cooled units)
- Ⓓ 3/8" (0.95 cm) F.P.T. Water Condenser Inlet
- Ⓔ 1/2" (1.27 cm) F.P.T. Bin Drain



Installation Note - Recommended clearance for top, sides, and back is 5" (12.7 cm) however, there is no minimum clearance required.

Front Access

Initiate ice, off and clean operations with simple upfront selector switch. No need to remove front panel.



©2004 Manitowoc 11/04 Continuing product improvement may necessitate change of specifications without notice. 2371A



MANITOWOC ICE, INC.
2110 South 26th Street, P.O. Box 1720
Manitowoc, WI 54221-1720, USA
Ph: 920-682-0161 • Fax: 920-683-7589
Visit us online at www.manitowocice.com

