

Indigo™ Series 1800 Ice Cube Machine

Model: IR-1800A ID-1802A IR-1890N ID-1803W
 IY-1804A IY-1805W IY-1894N ID-1892N



Indigo Series i-1800
Ice Machine on B-970 Bin

Designed for operators who know that ice is critical to their business, the Indigo™ Series ice machine's preventative diagnostics continually monitor itself for reliable ice production. Improvements in cleanability and programmability make your ice machine easy to own and less expensive to operate.

- **Space-Saving Design** – Up to 1,860 lbs. (845 kgs.) daily ice production and only 48" (121.92 cm) wide.
- **Intelligent Diagnostics** – provide 24 hour preventative maintenance and diagnostic feedback for trouble free operation.
- **Acoustical Ice Sensing Probe** – for reliable operation in challenging water conditions.
- **EasyRead Display** – communicates operating status, cleaning reminders, and asset information through a blue illuminated display.
- **Programmable Ice Production** – by On/Off Time, Ice Volume or Bin Level (with accessory bin level control) further improves energy efficiency and savings.
- **Easy to Clean Foodzone** – Hinged front door swings out for easy access. Removable water-trough, distribution tube, curtain, and sensing probes for fast and efficient cleaning. Select components made with AlphaSan® antimicrobial.
- **DuraTech™ Exterior** – provides superior corrosion resistance. Stainless finish with innovative clear-coat resists fingerprints and dirt.
- Available **LuminIce™ Growth Inhibitor** controls the growth of bacteria and yeast within the foodzone.

Ice Machine Electric

208-230/60/1 standard
(208-230/60/3 and 230/50/1 also available.)

Minimum circuit ampacity:

Air-cooled:	23.8 1ph	15.4 3ph
Water-cooled:	22.4 1ph	14.0 3ph
Remote-cooled:	23.4 1ph	15.0 3ph

Maximum fuse size:

Air-cooled:	40 1ph	25 3ph
Water-cooled:	40 1ph	25 3ph
Remote-cooled:	40 1ph	25 3ph

Specifications

BTU Per Hour:
30,000 (average),
and 35,000 (peak)

Refrigerant:
R-404A CFC-free

Operating Limits:

- Ambient Temperature Range:
35° to 110°F (1.7° to 43.3°C)
Water Temperature Range:
35° to 90°F (1.7° to 32.2°C)
- Water Pressure Ice Maker
Water In:
Min. 20 psi (137.9 kPa)
Max. 80 psi (551.1 kPa)



Ice Shape

Half Dice
3/8" x 1 1/8" x 7/8"
(.95 x 2.86 x 2.22 cm)

Dice
7/8" x 7/8" x 7/8"
(2.22 x 2.22 x 2.22 cm)

Regular
1 1/8" x 1 1/8" x 7/8"
(2.86 x 2.86 x 2.22 cm)





Indigo™ Series 1800 Ice Cube Machine

i-1800 on B-970 Storage Bin

- Ⓐ Electrical Entrance (2) Options
- Ⓑ 1/2" (1.27 cm) F.P.T. Water Condenser Outlet (water-cooled units)
- Ⓒ 3/8" (0.95 cm) F.P.T. Water Condenser Inlet (water-cooled units)
- Ⓓ 3/8" (0.95 cm) F.P.T. Ice Making Water Inlet
- Ⓔ 1/2" (1.27 cm) F.P.T. Ice Making Water Drain
- Ⓕ 1/2" (1.27 cm) Auxillary Base Drain Socket
- Ⓖ 3/4" (1.91 cm) Bin Drain
- ↻ Air flow for air-cooled models

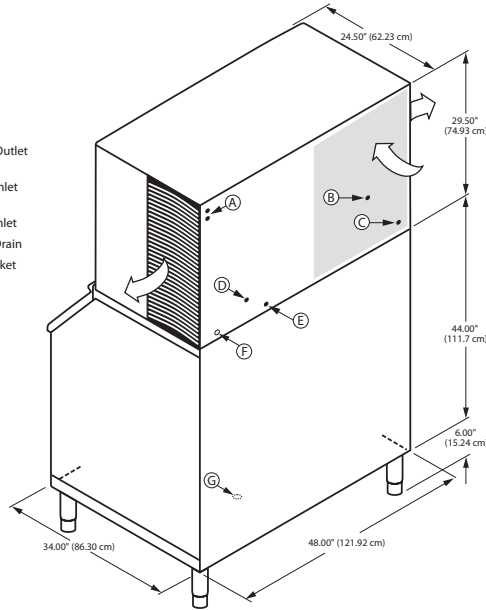
Installation Note

Air Cooled clearance:

- Top: 24" (61.0 cm)
- Sides: 24" (61.0 cm)
- Back: 5" (30.5 cm)

Water Cooled clearance:

- Top/Sides: 8" (20.3 cm)
- Back: 5" (12.7 cm)



Space-Saving Design



i-1800 B-970

- Height 79.50"
- 201.90 cm
- Width 48.00"
- 121.92 cm
- Depth 34.00"
- 86.30 cm
- Bin Storage 710 lbs.
- 322.2 kgs.

Height includes adjustable bin legs 6.00" to 8.00", (15.24 to 20.32 cm) set at 6.00" (15.24 cm).

Specifications

Model	Ice Shape	Ice Production 24 Hours		Power Usage kWh/100 lbs. @90°Air/70°F	Potable Water Usage/100 lbs. 45.4 kgs. of Ice
		70°Air/ 50°F Water	90°Air/ 70°F Water		
AIR-COOLED	IR-1800A regular	1,790 lbs.	1,430 lbs.	5.07	22.3 Gal.
		814 kgs	650 kgs		
	ID-1802A dice	1,840 lbs.	1,430 lbs.	5.16	22.3 Gal.
WATER-COOLED	IY-1804A half-dice	836 kgs	650 kgs	5.27	84.4 L
		1,860 lbs.	1,455 lbs.		
	ID-1803W dice	1,850 lbs.	1,640 lbs.	3.93	22.3 Gal.
REMOTE-COOLED	IY-1805W half-dice	841 kgs	744 kgs	3.92	84.4 L
		1,790 lbs.	1,650 lbs.		
	IR-1890N regular	814 kgs	750 kgs		84.4 L
* Water-cooled Condenser Water Usage / 100 lbs. /45.4 kgs. Of Ice: 181 gal. / 685 L.					
* Water-cooled models are excluded from ENERGY STAR qualification.					
REMOTE-COOLED	ID-1892N dice	1,690 lbs.	1,420 lbs.	4.99	22.3 Gal.
		768 kgs	645 kgs		
	IY-1894N half-dice	1,775 lbs.	1,495 lbs.	4.96	22.3 Gal.
REMOTE-COOLED	IY-1894N half-dice	807 kgs	680 kgs	5.06	84.4 L
		1,810 lbs.	1,445 lbs.		
		823 kgs.	657 kgs		84.4 L

Order ice storage bin separately. To order 3 phase add "3" suffix to model # (ID-1202A3).

Accessories

LuminIce™ Growth Inhibitor reduces yeast and bacteria growth for a cleaner ice machine.



Bin Level Control Allows ice bin level to be automatically set. Built-in LED light illuminates bin.



Arctic Pure® Water Filters Reduces sediment and chlorine odors for better tasting ice.



AuCS® schedules and performs routine ice machine cleaning automatically.

