

Indigo™ Series 1800 Ice Cube Machine

Model: IR-1800A ID-1802A IR-1890N ID-1803W
 IY-1804A IY-1805W IY-1894N ID-1892N



Indigo Series i-1800
Ice Machine on B-970 Bin

Designed for operators who know that ice is critical to their business, the Indigo™ Series ice machine's preventative diagnostics continually monitor itself for reliable ice production. Improvements in cleanability and programmability make your ice machine easy to own and less expensive to operate.

- **Space-Saving Design** – Up to 1,860 lbs. (845 kgs.) daily ice production and only 48" (121.92 cm) wide.
- **Intelligent Diagnostics** – provide 24 hour preventative maintenance and diagnostic feedback for trouble free operation.
- **Acoustical Ice Sensing Probe** – for reliable operation in challenging water conditions.
- **EasyRead Display** – communicates operating status, cleaning reminders, and asset information through a blue illuminated display.
- **Programmable Ice Production** – by On/Off Time, Ice Volume or Bin Level (with accessory bin level control) further improves energy efficiency and savings.
- **Easy to Clean Foodzone** – Hinged front door swings out for easy access. Removable water-trough, distribution tube, curtain, and sensing probes for fast and efficient cleaning. Select components made with AlphaSan® antimicrobial.
- **DuraTech™ Exterior** – provides superior corrosion resistance. Stainless finish with innovative clear-coat resists fingerprints and dirt.
- Available **LuminIce™ Growth Inhibitor** controls the growth of bacteria and yeast within the foodzone.

Ice Machine Electric

208-230/60/1 standard
(208-230/60/3 and 230/50/1 also available.)

Minimum circuit ampacity:

| | | |
|----------------|----------|----------|
| Air-cooled: | 23.8 1ph | 15.4 3ph |
| Water-cooled: | 22.4 1ph | 14.0 3ph |
| Remote-cooled: | 23.4 1ph | 15.0 3ph |

Maximum fuse size:

| | | |
|----------------|--------|--------|
| Air-cooled: | 40 1ph | 25 3ph |
| Water-cooled: | 40 1ph | 25 3ph |
| Remote-cooled: | 40 1ph | 25 3ph |

Specifications

BTU Per Hour:
30,000 (average),
and 35,000 (peak)

Refrigerant:
R-404A CFC-free

Operating Limits:

- Ambient Temperature Range:
35° to 110°F (1.7° to 43.3°C)
Water Temperature Range:
35° to 90°F (1.7° to 32.2°C)
- Water Pressure Ice Maker
Water In:
Min. 20 psi (137.9 kPa)
Max. 80 psi (551.1 kPa)



Ice Shape

Half Dice
3/8" x 1 1/8" x 7/8"
(.95 x 2.86 x 2.22 cm)

Dice
7/8" x 7/8" x 7/8"
(2.22 x 2.22 x 2.22 cm)

Regular
1 1/8" x 1 1/8" x 7/8"
(2.86 x 2.86 x 2.22 cm)





Indigo™ Series 1800 Ice Cube Machine

i-1800 on B-970 Storage Bin

- Ⓐ Electrical Entrance (2) Options
- Ⓑ 1/2" (1.27 cm) F.P.T. Water Condenser Outlet (water-cooled units)
- Ⓒ 3/8" (0.95 cm) F.P.T. Water Condenser Inlet (water-cooled units)
- Ⓓ 3/8" (0.95 cm) F.P.T. Ice Making Water Inlet
- Ⓔ 1/2" (1.27 cm) F.P.T. Ice Making Water Drain
- Ⓕ 1/2" (1.27 cm) Auxillary Base Drain Socket
- Ⓖ 3/4" (1.91 cm) Bin Drain
- ↻ Air flow for air-cooled models

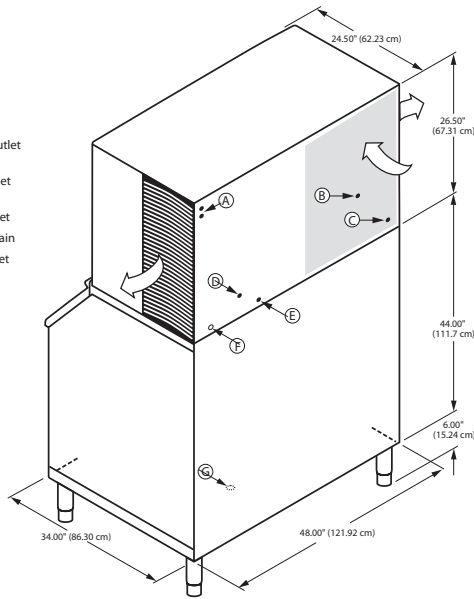
Installation Note

Air Cooled clearance:

- Top: 24" (61.0 cm)
- Sides: 24" (61.0 cm)
- Back: 5" (30.5 cm)

Water Cooled clearance:

- Top/Sides: 8" (20.3 cm)
- Back: 5" (12.7 cm)



Space-Saving Design



**i-1800
B-970**

| | |
|-------------|------------------------|
| Height | 79.50" 201.90 cm |
| Width | 48.00" 121.92 cm |
| Depth | 34.00" 86.30 cm |
| Bin Storage | 710 lbs. 322.2 kgs. |

Height includes adjustable bin legs 6.00" to 8.00", (15.24 to 20.32 cm) set at 6.00" (15.24 cm).

Specifications

| Model | Ice Shape | Ice Production 24 Hours | | Power Usage kWh/100 lbs. @90°Air/70°F 1 Ph | Potable Water Usage/100 lbs. 45.4 kgs. of Ice |
|---------------|-----------------------|-------------------------|--------------------|---|---|
| | | 70°Air/ 50°F Water | 90°Air/ 70°F Water | | |
| AIR-COOLED | IR-1800A regular | 1,790 lbs. | 1,430 lbs. | 5.07 | 22.3 Gal. 84.4 L |
| | | 814 kgs | 650 kgs | | |
| | ID-1802A dice | 1,840 lbs. | 1,430 lbs. | 5.16 | 22.3 Gal. 84.4 L |
| WATER-COOLED | IY-1804A half-dice | 1,860 lbs. | 1,455 lbs. | 5.27 | 22.3 Gal. 84.4 L |
| | | 845 kgs | 661 kgs | | |
| | ID-1803W dice | 1,850 lbs. | 1,640 lbs. | 3.93 | 22.3 Gal. 84.4 L |
| REMOTE-COOLED | IY-1805W half-dice | 1,790 lbs. | 1,650 lbs. | 3.92 | 22.3 Gal. 84.4 L |
| | | 814 kgs | 750 kgs | | |
| | IR-1890N regular | 1,690 lbs. | 1,420 lbs. | 4.99 | 22.3 Gal. 84.4 L |
| REMOTE-COOLED | ID-1892N dice | 1,775 lbs. | 1,495 lbs. | 4.96 | 22.3 Gal. 84.4 L |
| | | 807 kgs | 680 kgs | | |
| | IY-1894N half-dice | 1,810 lbs. | 1,445 lbs. | 5.06 | 22.3 Gal. 84.4 L |
| | | 823 kgs | 657 kgs | | 84.4 L |

* Water-cooled Condenser Water Usage / 100 lbs. /45.4 kgs. Of Ice: 181 gal. / 685 L.

* Water-cooled models are excluded from ENERGY STAR qualification.

Order ice storage bin separately. To order 3 phase add "3" suffix to model # (ID-1202A3).

Accessories

LuminIce™ Growth Inhibitor
reduces yeast and bacteria growth for a cleaner ice machine.



Bin Level Control
Allows ice bin level to be automatically set. Built-in LED light illuminates bin.



Arctic Pure® Water Filters
Reduces sediment and chlorine odors for better tasting ice.



AuCS®
schedules and performs routine ice machine cleaning automatically.





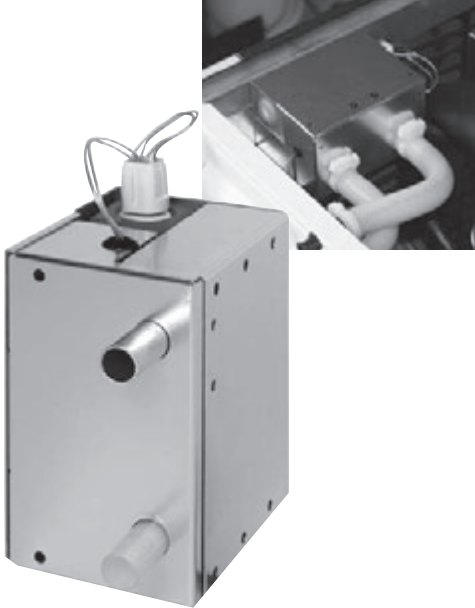
LuminIce™ Growth Inhibitor

Model

Factory Built-in Option
(Add "X" to end of Indigo model number)

K-00424 Upgrade Kit
(for Indigo: i-300 to i-1200 and QuietQube i-680C to i-1070C)

K-00434 Upgrade Kit
(for Indigo: i-1400 & i-1800, IB Series, and QuietQube i-1470C to i-2170C)



Standard Features

- **Reduced Yeast and Bacteria Growth** – proven by independent lab testing to inhibit the growth of yeast and bacteria for a cleaner foodzone.
- **Easier Cleaning** – reduced slime build up speeds the regularly scheduled cleaning process.
- **Space Saving Design** - device mounts inside the Indigo Series ice machine preserving space clearances in tight areas.
- **Easy to Use** - no chemicals to add or maintain. Only a simple UV bulb change is recommended once a year to maintain effectiveness. *Note: bulb change reminders can be programmed into the Indigo display.*

Warranty

- 3-year warranty covering all parts and labor from the date of original installation (UV bulb is excluded from this warranty).
- UV Bulb replacement part warranty 90 days.

The LuminIce Growth Inhibitor creates “active air” by recirculating the air inside the ice machine food zone over a UV light. This “active air” passes over exposed food zone components to inhibit the growth of yeast, bacteria, and other common microorganisms.

Foodservice operations can often be in challenging environments where it is difficult to prevent yeast, mold and other micro-organism contamination. With LuminIce, testing has shown that ice machine foodzones are noticeably cleaner after only 2-1/2 months of usage.



The LuminIce device runs quietly 24 hours a day keeping your ice machine cleaner and helping to relieve the stress and pain of frequent cleanings. Reduced cleanings ultimately saves labor time, cost, and machine downtime during the cleaning process.

Electric

Electricity drawn directly from ice machine.

Bulb Replacement

To retain maximum effectiveness, annual replacement of the internal UV bulb is recommended. UV bulb shelf life is 3 years from date of manufacture.

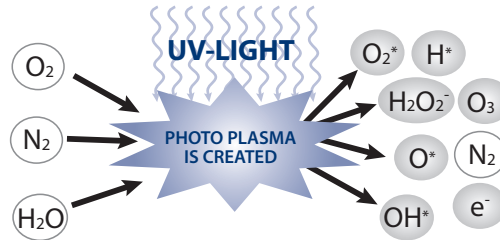




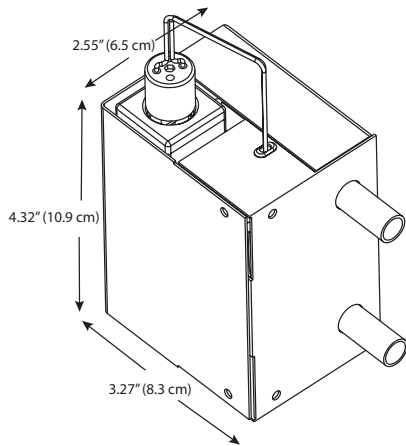
How LuminIce Works

UV light acts on the oxygen, nitrogen, and water vapor in the air stream passing across the bulb to create photoplasma.

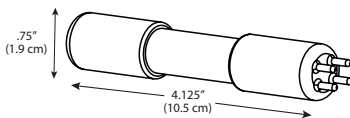
Photoplasma is a gas that is fully ionized by UV light containing ions, free electrons, hydroxyl radicals, and ozone. Each of which is highly reactive with any microorganisms it encounters within the foodzone. This "active air" is continually recirculated within the foodzone inhibiting microorganism growth.



LuminIce (Internal Mounting)

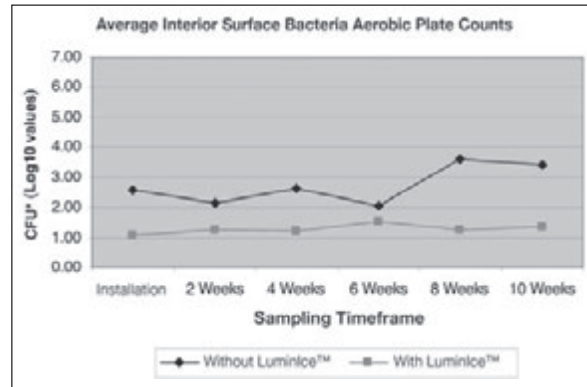
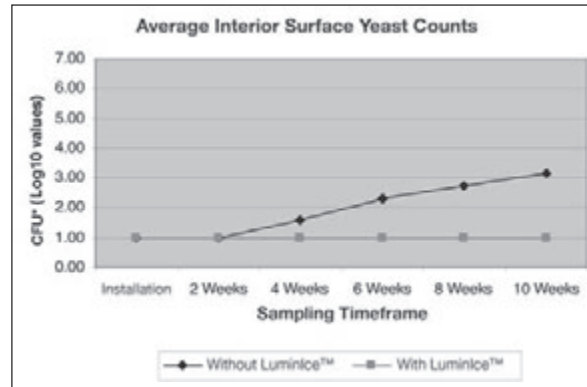


LuminIce UV Bulb



Cleaner Ice Machine Foodzones

Confirmed by Independent Testing Lab



*Average foodzone Colony Forming Units (CFU's) plotted over time from date of installation.

LuminIce Models / Replacement Bulb

| Model | Description |
|---------|---|
| X | Factory Built-In LuminIce Growth Inhibitor. Comes pre-installed in ice machine. (Add "X" to end of Indigo model number) |
| K-00424 | LuminIce Growth Inhibitor Kit for Indigo i-300 to i-1200, and QuietQube i-680C to i-1070C. |
| K-00434 | LuminIce Growth Inhibitor Kit for Indigo IB Series, QuietQube i-1470C, i-1870C, i-2170C and 48" i-1400 and i-1800 models. |
| K-00425 | Replacement LuminIce Bulb |