



Energy
MIZER®

**DOUBLE RACK
MODEL B
ENERGY SAVER
(extended wrapper)**

.96
Gallons Of Water
Per Rack!



**MODEL B
ENERGY SAVER
(Extended Wrapper)**

FEATURES:

- 80 racks / 320 covers per hour.
- Large 20-1/2" clearance for dishes.
- Economical to operate. Uses as little as .96 gallons of water per rack.
- All stainless steel construction assures long life and years of trouble free operation.
- Unique spray arm system features upper and lower stainless steel wash arms with reinforced end caps. Specially designed pull-pins allow wash arms to be easily removed for cleaning.
- Pump purging system improves results by eliminating soil and chemical carryover during rinse cycle.
- Top mounted controls include built-in chemical pumps and deliming system that assures proper chemical usage.
- Auto start/stop makes operation safe and easy.
- Integrated scrap accumulator prevents food soil from entering drain system.
- Water inlet comes with built-in strainer, prevents debris from clogging the water valve.
- Dishmachine comes with 2 dishracks.
- Stainless steel impeller offers extended life and service.
- Stainless steel scrap tray long lasting.

Available Options

- Solid/Powder Dual Bowl Dispenser
- CMA Temp-Sure™
(Self contained 12kW heater)
- Sanitizer Alarm
- Alternative Cycle Times
- Alternative Voltages Available
- Stainless Steel Tables
- Stainless Steel Scrap Trap
- Slant Shelf 21"X42"



Optional Temp-Sure™ heater assures a continuous supply of 140°F hot water that guarantees excellent results.



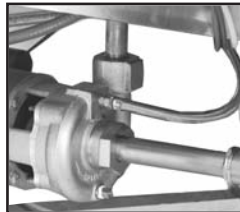
Unique pull-pin design allows wash arms to be easily removed for cleaning.



Sanitizer Alarm System is an audible alarm and warning light feature that gives a warning when sanitizer product is nearly empty.



Top mounted controls include built-in chemical pumps and deliming system that assures proper chemical usage.



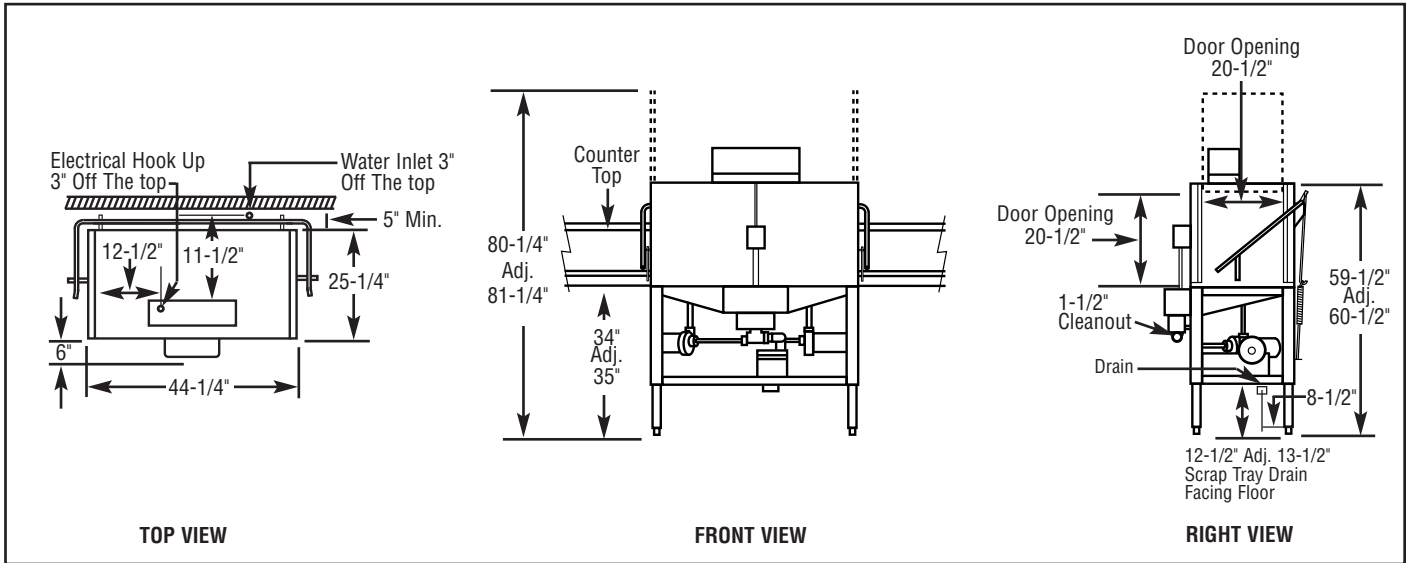
Pump purging system improves results by eliminating soil and chemical carryover during rinse cycle.





**DOUBLE RACK
MODEL B
ENERGY SAVER
(extended wrapper)**

WARNING: Plumbing connections must be made by a qualified service company who will comply with all available Federal, State, and Local Health, Plumbing and Safety codes.



Specifications:

MODEL B ENERGY SAVER USA		METRIC		USA		METRIC	
OPERATING CAPACITY				WASH PUMP MOTORS HP		1 1	
RACKS PER HOUR (NSF RATED)		80 80		DIMENSIONS			
OPERATING CYCLE				DEPTH		25-1/4" (64cm)	
WASH TIME-SEC		45 45		WIDTH		44-1/4" (112cm)	
RINSE TIME-SEC		30 30		HEIGHT		59-1/2"-60-1/2" (151.1cm-153.7cm)	
DWELL TIME-SEC		15 15		STANDARD TABLE HEIGHT		34" (86cm)	
TOTAL CYCLE TIME		90 90		MAXIMUM CLEARANCE FOR DISHES		20-1/2" (52cm)	
WASH TANK CAPACITY MIN.		1.92 GAL. (7.27 L)		STANDARD DISHRACK DIMENSIONS		2 2 (50X50cm)	
OPERATING TEMPERATURE				ELECTRICAL RATING		VOLTS 115 AMPS 30	
REQUIRED		120°F (49°C)		SHIPPING WEIGHT APPROXIMATE		352# (160kg)	
RECOMMENDED		140°F (60°C)					
WATER CONSUMPTION							
PER RACK		.96 GAL. (3.63 L)					
PER HOUR		76.8 GPH (290.7 LPH)					
WATER REQUIREMENTS							
WATER INLET		3/4" (1.9cm)					
DRAIN-I.P.S.		2" (5.1cm)					

Summary Specifications: Model B Energy Saver

CMA Energy Mizer model B Energy Saver low temperature, chemical sanitizing commercial dishwasher meets NSF, UL and ETL sanitation and construction standards WITHOUT the use of BOOSTER or TANK HEATERS. The model B Energy Saver meets Energy Star rating's and uses as little as .96 gallons of water per rack. The model B Energy Saver is constructed entirely of stainless steel. Each unit automatically washes, rinses and sanitizes food service utensils in standard 19-3/4" x 19-3/4" racks. Unit comes standard with upper and lower stainless steel wash arms. The model B Energy Saver incorporates a pump purging system that improves results by eliminating soil and chemical carryover during rinse cycle.

