



GEMO450 ON IOD150

## Features

- Space-saving 21" (533 mm) wide design.
- Produces up to 464 lbs (210 kg) of ice per day.
- Pearl Ice® soft, chewable ice crystals.
- Cools beverages faster and longer while maintaining flavors better.
- Decreased water and power usage compared to cube ice makers.
- SystemSafe load monitoring system constantly checks workload on gearbox, shutting down system before a problem develops and preventing costly repairs.
- Water Sensor eliminates low or no water failures and cannot be affected by adverse water conditions.
- Rugged stainless steel evaporator and auger ensures reliability.
- Industrial-grade roller bearings and heavy-duty gearbox provide years of trouble-free service.

## Options & Accessories

| WATER FILTERS     |          |             |        |
|-------------------|----------|-------------|--------|
| Ice Machine Model | Manifold |             | Inline |
|                   | System   | Replacement | System |
| GEMO450           | IFQ1     | IOMQ (1)    | n/a    |

## Ice Maker Warranty

Every Ice-O-Matic ice maker is backed by a warranty that provides both parts and labor coverage.

- Three years **Parts** and **Labor** for all Pearl Ice® ice maker parts.
- Five years **Parts** coverage on the compressor.

## Ice Form



### PEARL ICE

#### PEARL ICE DIMENSIONS

|                |            |
|----------------|------------|
| H x Dia. (in.) | 1/2 x 3/8  |
| H x Dia. (mm)  | 12.7 x 9.5 |

## Bin Chart *Kits for Combining Wider Bins with Smaller Models*

| ICE STORAGE BINS |           |          |                  |                  |                  |                  |                  |                   |                  |                   |                   |                   |
|------------------|-----------|----------|------------------|------------------|------------------|------------------|------------------|-------------------|------------------|-------------------|-------------------|-------------------|
| Kits             | Model No. | B25      | B40              | B42              | B55              | B70              | B90              | B100              | B120             | B150              | B170              |                   |
|                  |           | Capacity | 242 lbs (110 kg) | 344 lbs (156 kg) | 351 lbs (160 kg) | 510 lbs (232 kg) | 741 lbs (337 kg) | 1023 lbs (465 kg) | 854 lbs (388 kg) | 1142 lbs (519 kg) | 1447 lbs (658 kg) | 1807 lbs (821 kg) |
|                  |           | Width    | 30 in (762 mm)   | 30 in (762 mm)   | 22 in (559 mm)   | 30 in (762 mm)   | 30 in (762 mm)   | 30 in (762 mm)    | 48 in (1219 mm)  | 48 in (1219 mm)   | 60 in (1524 mm)   | 60 in (1524 mm)   |
| GEMO450          |           | KBT19    |                  | KBT24            | KBT19            | Kit Not Required |                  | KBT23             |                  | n/a               |                   |                   |
| GEMO450 (2)      |           | n/a      |                  |                  |                  | Kit Not Required |                  | KBT22             |                  | n/a               |                   |                   |

\*See Ice-O-Matic Price List for Adapter Kits to combine ice makers with most available ice/beverage dispensers.

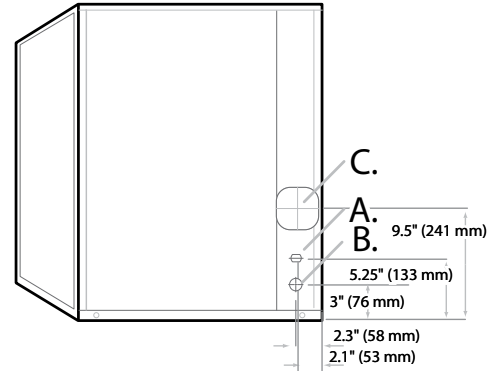
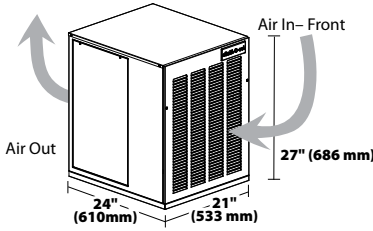


GEMO450 PEARL ICE® MAKER

### Air Cooled

Please note: air-cooled units require 6" (152 mm) clearance for air intake and exhaust.

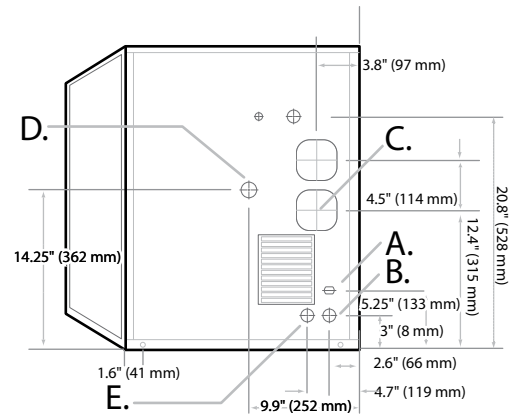
- A. Ice maker potable water in, 3/8" FPT.
- B. Ice maker water out, 3/4" FPT.
- C. Electrical inlet.



Rear View Air Cooled

### Water Cooled

- A. Ice maker water in, 3/8" flare.
- B. Ice maker water out, 3/4" FPT.
- C. Electrical inlet.
- D. Condenser water in, 3/8" (water cooled only).
- E. Condenser water out, 1/2" (water cooled only).



Rear View Water Cooled

## Operating Requirements

|                         | MINIMUM           | MAXIMUM            |
|-------------------------|-------------------|--------------------|
|                         | <b>60 Hz</b>      |                    |
| Ambient Temp. Range Air | 50°F (10°C)       | 100°F (38°C)       |
| Water Temp.             | 40°F (4.4°C)      |                    |
| Water Pressure          | 20 PSIG (1.4 BAR) | 120 PSIG (8.3 BAR) |

## Dimensions

| ALL MODELS      |                 |
|-----------------|-----------------|
| W x D x H (in.) | 21 x 24 x 27    |
| W x D x H (mm)  | 533 x 610 x 686 |

## Specifications

| Model Number | Cond. Unit | Ice Production per 24hrs                   |  | Water Usage gallons per 100 lbs (45 kg) of Ice 90°F (32°C) air/70°F (21°C) water |           | kWH Used per 100 lbs (45 kg) of ice @ 90°F (32°C) air/70°F (21°C) water | Voltage Characteristics | Min. Circuit Ampacity | Fuse Size | Approx BTUs per hour** |
|--------------|------------|--|--|--|-----------|---|-------------------------|-----------------------|-----------|------------------------|
|              |            | 70°F (21°C) air/50°F (10°C) water lbs (kg) | 90°F (32°C) air/70°F (21°C) water lbs (kg) | Potable  | Condenser |   |                         |                       |           |                        |
| GEMO450A     | Air        | 464 (210)                                  | 354 (161)                                  | 12.0   | -         | 5.31  | 115/60/1                | 16.0                  | 20        | 5,600                  |
| GEMO450W     | Water      | 508 (230)                                  | 429 (195)                                  |  | 68.5      | 4.11  |                         |                       |           |                        |

\*\*BTUH is calculated 0°F Evaporator, 100°F Condensing, and 33 PSIG.

NOTES:  
 Number of Wires: 3 (including ground)  
 Approx. Shipping Weight lbs (kg): GEMO450A 205 (93) • GEMO450W 220 (110)  
 Refrigerant Type: R404A