



Electric Counter Top Double Pizza Oven w/4 Hearths

Item: CPO-ED-24H

Quantity: _____

Project: _____

Approval: _____

Date: _____

Models:

CPO-ED-24H



*Model CPO-ED-24H
(shown with optional legs)*

Capacity:

- Four (4) 20" pre-baked crust or fresh dough pizzas, (not designed for pan pizza)

Standard Features:

- Incoloy tubular heating elements (total 7.2 kW)
- 650°F, (343°C), adjustable, electro-mechanical thermostats, one per oven cavity
- One fifteen minute mechanical timer per oven cavity
- 3" crown heights
- Oven ready light indicates oven has reached selected temperature, one per oven cavity
- 1½" thick insulation in walls, top, and doors
- 2 removable baking hearths per oven cavity
- All stainless steel finish
- Standard with 6-ft. (1.8m) long cord and plug (single-phase models only)
- 208 or 240 volts, single or three phase (please specify)
- One-year parts and labor warranty
- 4" adjustable legs

Optional Features:

60-minute timer

Specification:s

Garland Model Number CPO-ED-24H, electric counter top double pizza oven. Compact 26"W x 28-7/8"D size includes a total of four decks with hearths. Stainless steel exterior. 650°F, (343° C) adjustable electromechanical thermostat and two mechanical 15-minute timers. 208 or 240 volt, single or three phase, (please specify).

Ideal for pre-baked and fresh dough pizza.



Electric Counter Top Double Pizza Oven w/4 Hearths

Garland
1333 East 179th Street
Cleveland, Ohio 44110
Phone: 800-424-2411
Fax: 800-624-0218

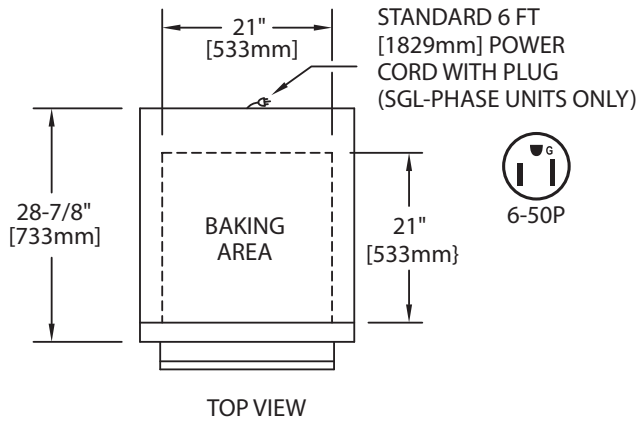
Garland Commercial Ranges Ltd
1177 Kamato Road,
Mississauga, Ontario
L4W 1X4 CANADA
Phone: 905-624-0260
Fax: 905-624-5669



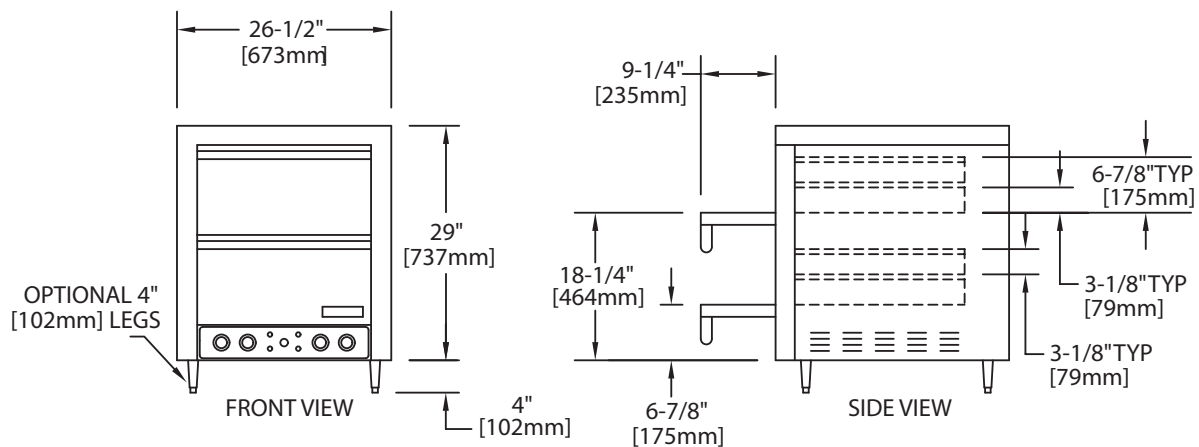
Electrical Specifications

Voltage	Phase	kW	Nominal Amperes Per Line			NEMA Plug	Connection Type
			L1	L2	L3		
208	1	7.2	34.6	34.6	—	6-50P	6' Line Cord
240	1	7.2	30.0	30.0	—	6-50P	6' Line Cord
208	3	7.2	30.0	17.3	17.3	—	Terminal Block
240	3	7.2	26.0	16.3	16.3	—	Terminal Block

Clearances				Shipping	
Installation		Entry		Cu Ft	Weight Lb/Kg
Sides	Rear	Crated	Uncrated		
1" (25mm)	1" (25mm)	32" (813mm)	27-1/2" (699mm)	18.8	293/233



Garland products are not approved or authorized for home or residential use, but are intended for commercial applications only. Garland will not provide service, warranty, maintenance or support of any kind other than in commercial applications.



Form# CPOED24 (03/07/11)