

SCOTSMAN

COUNTER TOP ICE DISPENSERS



ID150



ID200



ID250

ID150/ID200/ID250

MODEL	Storage Capacity
	Lbs./kg.
ID150	150/68
ID200	200/91
ID250	250/114

YOU'LL VALUE OUR COUNTER TOP ICE DISPENSERS

- Three sizes to fit the needs of any application.
- Heavy duty agitator motor for long life.
- Heavy-duty agitator reduces ice jams and bridging.
- Adjustable off-cycle agitation for various ice forms and ambient conditions.
- Reliably dispenses nugget ice with confidence.
- Insulated, heavy-duty drip tray prevents condensation.
- Greater dispensable ice for periods of peak demand.
- All components front accessible.

WARRANTY *See your dealer for complete warranty details.*

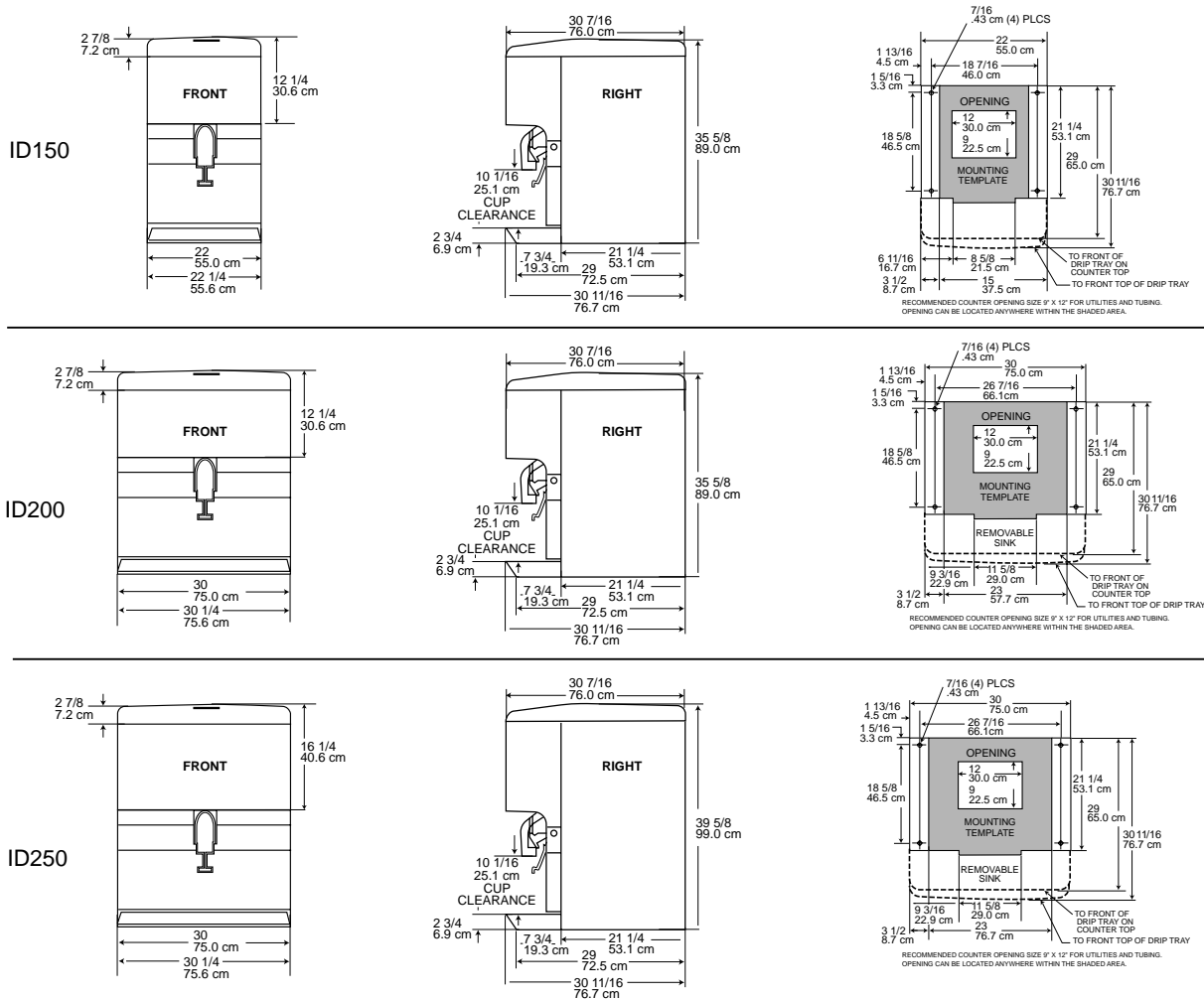
- 2 years parts on all components.
- 1 years labor on all components.

CERTIFIED
ISO
9001:2000



Scotsman[®]

Ice/Dispenser Specifications



INSTALLATION NOTE: Allow 6" minimum space at sides and back for ventilation and utility connections.

Model Number	Dimensions W" x D" x H"	Storage Capacity lbs./kg.	Actuation	Basic Electrical Volts/Hz/Phase	Max Fuse Size or HACR Circuit Breaker	Circuit Wires	Min. Circuit Ampacity	Shipping Weight lbs./kg.
ID150B-1A	22 x 30 x 35 5/8	150/68	Push Bar	115/60/1	15	2	Cord	150/68
ID200B-1A	30 x 30 x 35 5/8	200/91	Push Bar	115/60/1	15	2	Cord	250/113
ID250B-1A	30 x 30 x 39 5/8	250/114	Push Bar	115/60/1	15	2	Cord	300/136

OPTIONS:

IOBDM522 Machine Stand for ID150 & BD150 W" X D" X H"-22 x 30 x 30
 IOBDM530 Machine Stand for ID200&250 and BD200&250 W" X D" X H"-30 x 30 x 30

KNUGDIV Field Installed Nugget Diverter Kit for All ID & BD Dispensers
 KWGFID ID Field Installed Water Glass Filler Kit

KMER150GI ID150 Replacement Merchandiser – Generic
 KMER200GI ID200 Replacement Merchandiser – Generic
 KMER250GI ID250 Replacement Merchandiser – Generic

KBT40
 KBT41
 KBT42
 KBT43
 KBT44
 KBT46

ABS, ID150 & BD150 Bintop for Eclipse Cubers
 ID200, ID250, BD200 & BD250 Bintop for Eclipse Cubers
 ID150, BD150 Bintop for 22" Cuber or 21 Nugget Maker
 ID200, ID250, BD200, BD250 Bintop for 22" Cuber
 ID200, ID250, BD200, BD250 Bintop for 30" Cuber
 ID200, ID250, BD200, BD250 Bintop for 21" Nugget Maker

Scotsman's ice machines are not designed for outdoor installations.

Machine requires voltage indicated on rating name plate. Failures caused by improper voltage are not considered factory defects. Extended periods of operation at temperatures exceeding limitations constitutes misuse under the terms of Scotsman Manufacturer's Limited Warranty, resulting in a loss of warranty coverage. Specifications and design are subject to change without notice.

Consult Your Local SCOTSMAN Representative At:

IMPORTANT OPERATING REQUIREMENTS:

	Minimum	Maximum
Air Temperatures	50°F (10°C)	100°F (37.7°C)
Water Temperatures	40°F (4.4°C)	100°F (37.7°C)
Water Pressures	20 PSIG	80 PSIG
Electrical Voltage	-5%	+10%

YOU'LL VALUE THE DIFFERENCE.™

775 Corporate Woods Parkway • Vernon Hills, IL 60061 • 1-800-SCOTSMAN • Fax: (847) 913-9844
 Visit our website at: www.scotsman-ice.com • E-mail: customer.service@scotsman-ice.com

Central Restaurant Products

Scotsman®