



"Your Solutions Partner"

Specifications

F.O.B Sedalia, Missouri 65301



E-4-DLSS

OPTIONS:

- 14 gauge tops
- Heated base module - **HTD-BASE-M**
- Sliding Doors
- 3-phase wiring
- Cord and plug - **T-CORD**
- Special height legs - **T-SP-HT-LEGS**
- Overhead fluorescent lights - **T-FL-LIGHTS**
- Radiant heat rods under shelf - **T-HEAT-RODS**
- Electrical duplex outlet with junction box,
- Serving shelves - **T956-x, T956-460-x, T956-461-x**
- Adaptor plates - **T31, T32, T33**
- Telescope covers - **546, 548**
- 3 bar tray slides - **TS3BTS-FX/HD-x**
- Solid tray slide - **TSOLID-FX/HD-x**
- Casters (add cord and plug), 5" swivel with locks - **TCA-SW-L**
- Casters (add cord and plug), 5" swivel no lock - **TCA-SW**
- Veneered panels - **T-x-P**
- Powder coat paint colors
- Designer series food shields - **TS530, TS540, TS550, TS560, TS570, TS580**

AGENCY LISTINGS:



DUKE MANUFACTURING CO.
2305 N. Broadway
St. Louis, MO 63102

800.735.3853 Toll Free
314.231.5074 Fax
www.dukemfg.com

Approval Stamp(s):

PRODUCT INFORMATION:

PROJECT: _____

ITEM: _____

QUANTITY: _____

MODEL:

Thurmduke™ Steamtables

Hot Food Units - Electric - Deluxe

- E-2-DLPG/E-2-DLSS** 2 top openings
- E-3-DLPG/E-3-DLSS** 3 top openings
- E-4-DLPG/E-4-DLSS** 4 top openings
- E-5-DLPG/E-5-DLSS** 5 top openings
- E-6-DLPG/E-6-DLSS** 6 top openings

TOP:

- One piece. 16 gauge, 300 Series stainless steel
- Top openings die-stamped. 12" x 20"
- Integral carving/work surface

HEAT COMPARTMENTS:

- Sealed wells with drains copper manifolds and brass master valve
- 750 watt element at 120, 208 or 240 volt/single or 3-phase
- Robertshaw thermostat w/indicator light per section
- Master toggle switch w/indicator light - entire unit
- 12" x 20" stainless steel liner, 6-1/2 deep

BODY AND INTERIOR SHELF:

- 300 Series stainless steel or paint grip steel
- End panels die-stamped
- 6" polished stainless steel control panels

INTEGRAL DISHSHELF:

- Heavy Gauge, One Piece Stainless Steel - 8-1/2" wide
- Housing for control knobs, thermostats and master switch
- Wire knob guards

SHORT FORM SPECIFICATIONS:

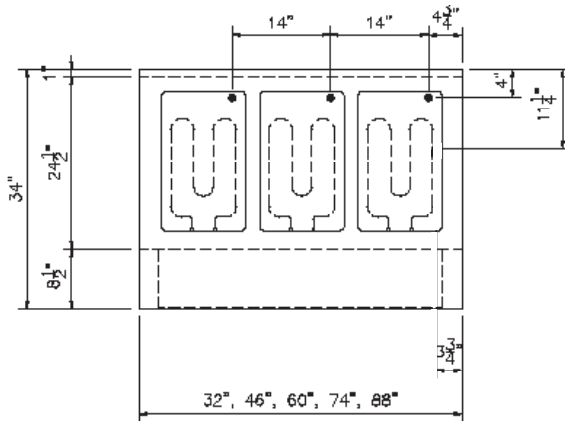
Thurmduke™ Steamtables - Hot Food - Electrical - Deluxe. Top shall be constructed of one piece 16 gauge, 300 Series stainless steel, extended on operator's side to provide integral carving or work surface. Each top opening shall be die-stamped with raised beaded edges, measuring 12" x 20". Each sealed well compartment shall have (1) 750 watt element fitted below warming compartment, with drain and copper manifolded to brass master valve. Wired to operate on 120, 208 or 240 volts, single or 3-phase, as specified. Each section to be controlled by Robertshaw thermostat with indicator light. Complete unit to be wired to master toggle switch with indicator light. Each heat compartment liner shall be die-formed, fabricated of heavy gauge stainless steel. Body to be constructed of 20 gauge, 300 Series stainless steel or paint grip steel with powder coat finish, as specified. Body parts made into panels by forming edges into angles and channels which are welded together to provide structural strength. End panels die-stamped with square corners, side opposite operator fully enclosed. Bottom shelf to be of heavy gauge steel, same as body panels, with edges flanged down at back and ends. Bottom shelf has clearance of 15-1/2". Integral dish shelf shall be made of heavy gauge, one piece stainless steel, 8-1/2" wide with rail on operator's side. Canted, easy-to-reach control knobs and housing for thermostats, etc. 6-1/2" clearance between bottom edge of work surface and dish shelf. Units to be mounted on 6" polished stainless steel legs, adjustable to 7-1/4". Complies with NSF Standard 4.



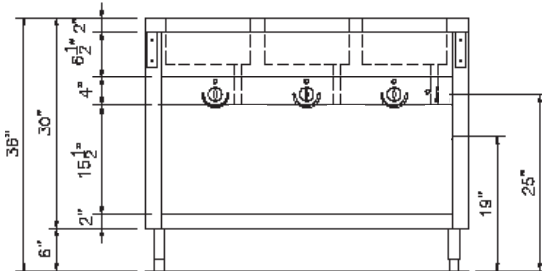
MODEL:

**Thurmaduke™ Steamtables
Hot Food Units - Electric - Deluxe**

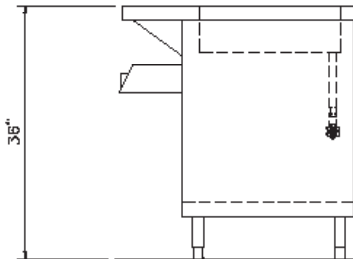
- E-2-DLPG/E-2-DLSS** 2 top openings
- E-3-DLPG/E-3-DLSS** 3 top openings
- E-4-DLPG/E-4-DLSS** 4 top openings
- E-5-DLPG/E-5-DLSS** 5 top openings
- E-6-DLPG/E-6-DLSS** 6 top openings



TOP VIEW



FRONT VIEW



RIGHT SIDE VIEW

| LEGEND | |
|--------|-------------------------|
| ▲ | - ELECTRICAL CONNECTION |
| ● | - DRAIN LOCATION |

DIMENSIONS:

FREIGHT CLASS: 150

| Model | | Length | | Width | | Height | | Top Openings | Cube ft. Crated | Weight | |
|----------|-----------|--------|-------|-------|------|--------|------|--------------|-----------------|--------|-------|
| Enameled | Stainless | in. | cm | in. | cm | in. | cm | | | lbs. | kg |
| E-2-DLPG | E-2-DLSS | 32 | 81.3 | 34 | 86.4 | 36 | 91.4 | 2 | 27.0 | 255 | 115.9 |
| E-3-DLPG | E-4-DLSS | 46 | 116.8 | 34 | 86.4 | 36 | 91.4 | 3 | 38.1 | 335 | 152.3 |
| E-4-DLPG | E-4-DLSS | 60 | 152.4 | 34 | 86.4 | 36 | 91.4 | 4 | 49.2 | 410 | 186.4 |
| E-5-DLPG | E-5-DLSS | 74 | 188.0 | 34 | 86.4 | 36 | 91.4 | 5 | 60.2 | 495 | 225.0 |
| E-6-DLPG | E-6-DLSS | 88 | 223.5 | 34 | 86.4 | 36 | 91.4 | 6 | 71.3 | 595 | 270.5 |

ELECTRICAL SPECIFICATIONS:

| Model | 120 Volt - 750 watt elements | | | 208 Volt - 750 watt elements | | | 240 Volt - 750 watt elements | | |
|-------------|------------------------------|------|-------|------------------------------|------|-------|------------------------------|------|-------|
| | Watts | Amps | NEMA | Watts | Amps | NEMA | Watts | Amps | NEMA |
| E-2-DLPG/SS | 1500 | 12.5 | 5-15 | 1500 | 7.2 | 6-20 | 1500 | 6.4 | 6-20 |
| E-3-DLPG/SS | 2250 | 18.8 | L5-30 | 2250 | 10.8 | 6-20 | 2250 | 9.4 | 6-20 |
| E-4-DLPG/SS | 3000 | 25.0 | 5-50 | 3000 | 14.4 | 6-20 | 3000 | 12.5 | 6-20 |
| E-5-DLPG/SS | 3750 | 31.3 | 5-50 | 3750 | 18.0 | L6-30 | 3750 | 15.9 | 6-20 |
| E-6-DLPG/SS | N/A | | | 4500 | 21.6 | L6-30 | 4500 | 18.8 | L6-30 |

Cord and NEMA plug NOT included



DUKE MANUFACTURING CO.
2305 N. Broadway
St. Louis, MO 63102

800.735.3853 Toll Free
314.231.5074 Fax
www.dukemfg.com

"Your Solutions Partner"

Specification subject to change