



# Specifications

F.O.B Sedalia, Missouri 65301



E-3-CBSS with optional maple wood cutting board

### OPTIONS:

- 10" wide maple carving board, stainless steel brackets
- 14 gauge tops
- Heated base module - **HTD-BASE-M**
- 3-phase wiring
- Sliding Doors - **T328-xx**
- Cord and plug - **T-CORD**
- Special height legs - **T-SP-HT-LEGS**
- Overhead fluorescent lights - **T-FL-LIGHTS**
- Radiant heat rods under shelf - **T-HEAT-RODS**
- Electrical duplex outlet with junction box
- Serving shelves - **T956-x, T956-460-x, T956-461-x**
- Adaptor plates - **T31, T32, T33**
- Telescope covers - **546, 548**
- 3 bar tray slides - **TS3BTS-FX/HD-x**
- Solid tray slide - **TSOLID-FX/HD-x**
- Casters (add cord and plug), 5" swivel with locks - **TCA-SW-L**
- Casters (add cord and plug), 5" swivel no lock - **TCA-SW**
- Veneered panels - **T-x-P**
- Powder coat paint colors
- 7" wide maple cutting board
- 10" wide stainless steel shelf
- 7" wide stainless steel shelf
- 1/2" poly cutting surface added to shelf
- Designer series food shields - **TS530, TS540, TS550, TS560, TS570, TS580**

### AGENCY LISTINGS:



**DUKE MANUFACTURING CO.**  
2305 N. Broadway  
St. Louis, MO 63102

800.735.3853 Toll Free  
314.231.5074 Fax  
www.dukemfg.com

### Approval Stamp(s):

### PRODUCT INFORMATION:

PROJECT: \_\_\_\_\_

ITEM: \_\_\_\_\_

QUANTITY: \_\_\_\_\_

MODEL:

### Thurmaduke™ Steamtables

#### Hot Food Units - Electric - Standard

- E-2-CBPG/E-2-CBSS** 2 top openings
- E-3-CBPG/E-3-CBSS** 3 top openings
- E-4-CBPG/E-4-CBSS** 4 top openings
- E-5-CBPG/E-5-CBSS** 5 top openings
- E-6-CBPG/E-6-CBSS** 6 top openings

### TOP:

- One piece. 16 gauge, 300 Series stainless steel
- Top openings die - stamped. 12" x 20"

### HEAT COMPARTMENTS:

- Sealed wells with drains copper manifolds and brass master valve
- 750 watt element at 120, 208, or 240 volt / single or 3-phase
- Robertshaw thermostat w/indicator light per section
- Master toggle switch w/indicator light - entire unit
- 12" x 20" stainless steel liner, 6-1/2 deep

### BODY AND INTERIOR SHELF:

- 300 Series stainless steel or paint grip steel
- End panels die-stamped
- 6" polished stainless steel legs
- 300 Series stainless steel control panel
- Wire knob guards

### SHORT FORM SPECIFICATIONS:

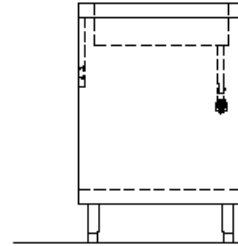
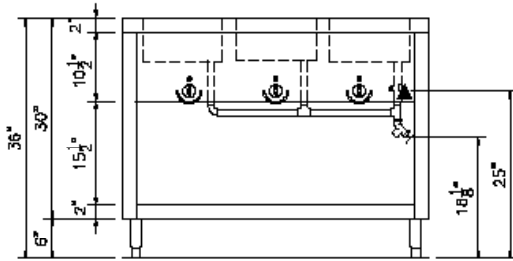
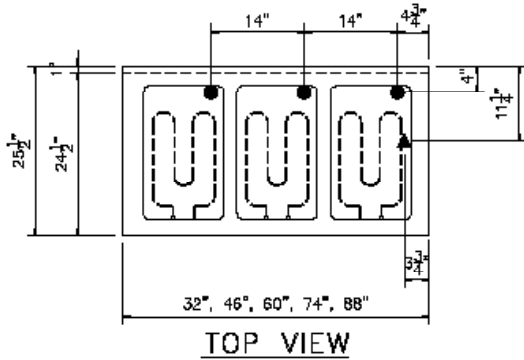
#### Thurmaduke™ Steamtables - Hot Food - Electrical - Standard.

Top shall be constructed of one piece 16 gauge, 300 Series stainless steel. Each top opening shall be die-stamped with raised beaded edges, measuring 12" x 20". Each sealed well compartment shall have (1) 750 watt element fitted below warming compartment, with drain and copper manifolded to brass master valve. Wired to operate on 120,208 or 240 volts, single or 3-phase, as specified. Each section to be controlled by Robertshaw thermostat with indicator light. Body shall be constructed of 20 gauge. 300 Series stainless steel or paint grip steel with powder coat finish, as specified. Body parts made into panels by forming edges into angles and channels which are welded together to provide structural strength. End panels die-stamped with square corners, side opposite operator fully enclosed. Bottom shelf to be of heavy gauge steel, same as body panels, with edges flanged down at back and end. Bottom shelf has clearance of 15-1/2". Units to be mounted on 6" stainless steel legs, adjustable to 7-1/4". Complies with NSF Standard 4.



**MODEL:**  
**Thurmaduke™ Steamtables**  
**Hot Food Units - Electric - Standard**

- E-2-CBPG/E-2-CBSS 2 top openings
- E-3-CBPG/E-3-CBSS 3 top openings
- E-4-CBPG/E-4-CBSS 4 top openings
- E-5-CBPG/E-5-CBSS 5 top openings
- E-6-CBPG/E-6-CBSS 6 top openings



LEGEND	
▲	- ELECTRICAL CONNECTION
●	- DRAIN LOCATION

**FRONT VIEW**

**RIGHT SIDE VIEW**

**DIMENSIONS:**

FREIGHT CLASS: 150

Model		Length		Width		Height		Top Openings	Cube ft. Crated	Weight	
Enameled	Stainless	in.	cm	in.	cm	in.	cm			lbs.	kg
E-2-CBPG	E-2-CBSS	32	81.3	25-1/2	64.8	36	91.4	2	28.1	210	95.5
E-3-CBPG	E-3-CBSS	46	116.8	25-1/2	64.8	36	91.4	3	39.6	264	120.0
E-4-CBPG	E-4-CBSS	60	152.4	25-1/2	64.8	36	91.4	4	51.2	344	156.4
E-5-CBPG	E-5-CBSS	74	188.0	25-1/2	64.8	36	91.4	5	62.3	433	196.8
E-6-CBPG	E-6-CBSS	88	223.5	25-1/2	64.8	36	91.4	6	74.3	527	239.6

**ELECTRICAL SPECIFICATIONS:**

Cord & NEMA plug NOT included

Model	120 Volt - 750 watt elements			208 Volt - 750 watt elements			240 Volt - 750 watt elements		
	Watts	Amps	NEMA	Watts	Amps	NEMA	Watts	Amps	NEMA
E-2-CBPG/SS	1500	12.5	5-15	1500	7.2	6-20	1500	6.3	6-20
E-3-CBPG/SS	2250	18.8	L5-30	2250	10.8	6-20	2250	9.4	6-20
E-4-CBPG/SS	3000	25.0	5-50	3000	14.4	6-20	3000	12.5	6-20
E-5-CBPG/SS	3750	31.3	5-50	3750	18.0	L6-30	3750	15.9	6-20
E-6-CBPG/SS	N/A			4500	21.6	L6-30	4500	18.8	L6-30

**DUKE MANUFACTURING CO.**  
 2305 N. Broadway  
 St. Louis, MO 63102



800.735.3853 Toll Free  
 800.231.1130 In Missouri  
 314.231.5074 Fax  
 www.dukemfg.com

Specification subject to change