

Sandwich / Salad Units

Food Prep Tables-Sandwich/Salad Prep
M3 Series

Cold Air Compartment System



FEATURES / BENEFITS

- EFFICIENT REFRIGERATION SYSTEM**
 M3's solid door refrigerators are designed with oversized and balanced (CFC Free R-134A) refrigeration systems. These include efficient evaporators and condensers for faster cooling and greater efficiency.
- COLD AIR COMPARTMENT**
 Our innovative "Cold Air Compartment" maintains temperature evenly for each pan to preserve fresh food longer. In addition, the compartment isolates pans from the reach-in area to prevent food spillage.
- STAINLESS STEEL CABINET CONSTRUCTION**
 The Turbo Air M3 model boasts a stainless steel interior and exterior (except inside wall and the back). It guarantees the utmost in cleanliness and long product life. The M3 can add a touch of style to the most refined setting.
- HIGH-DENSITY POLYURETHANE INSULATION**
 The entire cabinet structure and solid doors are formed-in-place using high density, CFC free polyurethane insulation.
- MAGNETIC DOOR GASKETS**
 Magnetic door gaskets are of one piece construction, removable without tools for ease of cleaning and replacement.
- ADJUSTABLE, HEAVY DUTY, PE(POLYETHYLENE) COATED WIRE SHELVES**
- ERGONOMICALLY DESIGNED DOORS**
 Customers' fatigue fades away with easy grip handles and doors that open effortlessly. These features along with self-closing doors make this the ultimate choice in customer convenience. ABS sheet door liners resist water condensation with thermal efficiency.
- CONVENIENT CUTTING BOARD SIDE RAIL**
 The new side rail cutting board bracket makes it easy to secure and remove the cutting board and it accepts different sizes too (max. 1/2" thickness)
- HOT GAS CONDENSATE SYSTEM**
 Through Turbo Air's creative innovation, the condensate system surfaces have been specially treated to resist corrosion. This not only increases efficiency without the risk of refrigerant leakage from corrosion, but also prevents the overflow of condensate water.
- REFRIGERATOR HOLDS 33°F ~ 39°F FOR THE BEST IN FOOD PRESERVATION**

Model	Swing Door	CU./FT.	#of Shelves	#of Pans	#of Hood	HP	AMPS	Crated Weight	L D H
MST-28	1	7	1	8	1	1/3	6.6	198	27 1/2 x 30 x 37
MST-48	2	12	2	12	1	1/3	6.5	242	48 1/4 x 30 x 37
MST-60	2	16	2	16	1	1/2	8.9	330	60 1/4 x 30 x 37
MST-72	3	19	3	18	2	1/2	9.9	374	72 5/8 x 30 x 37

* Height does not include 6-1/2" for caster height.

MST MODELS SPECIFICATIONS

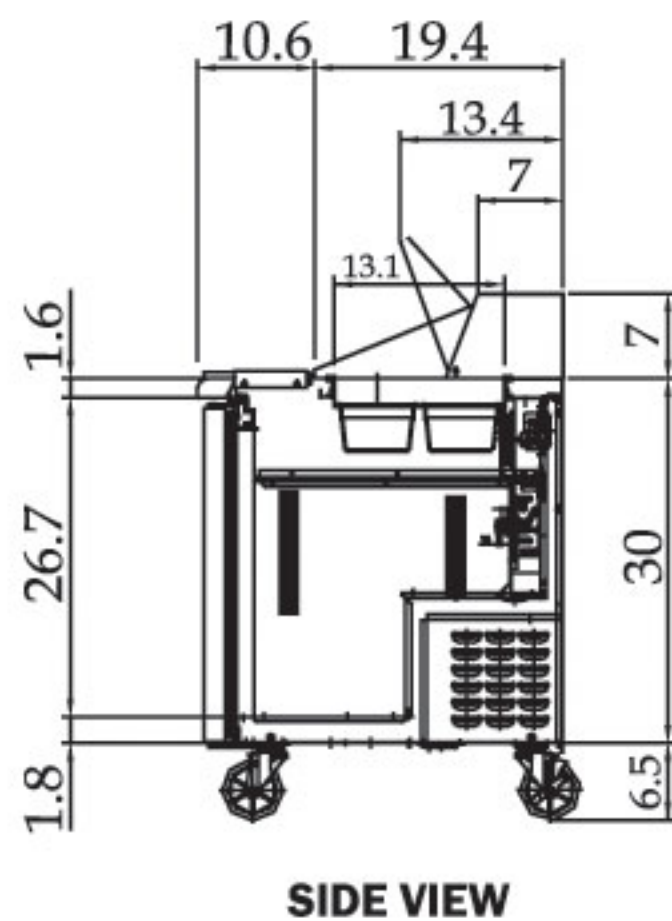
MODEL	MST-28	MST-48	MST-60	MST-72
Exterior Dimension (LxDxH)	27 1/2x30x37	48 1/4x30x37	60 1/4x30x37	72 5/8x30x37
Cubic Feet	7	12	16	19
Compressor (HP)	1/3	1/3	1/2	1/2
# of Shelves	1 ea	2 ea	2 ea	3 ea
Net Weight	181 lbs	225 lbs	308 lbs	325 lbs
Voltage (i) NEMA-5-15P	(i)115/60/1	(i)115/60/1	(i)115/60/1	(i)115/60/1
Amp	6.6 A	6.5 A	8.9 A	9.9 A
Cord Length (ft.)	9	9	9	9
Plug-In	NEMA 5-15P	NEMA 5-15P	NEMA 5-15p	NEMA 5-15P
# of Pans	8 ea	12 ea	16 ea	18 ea

*Design and specifications subject to change without notice.

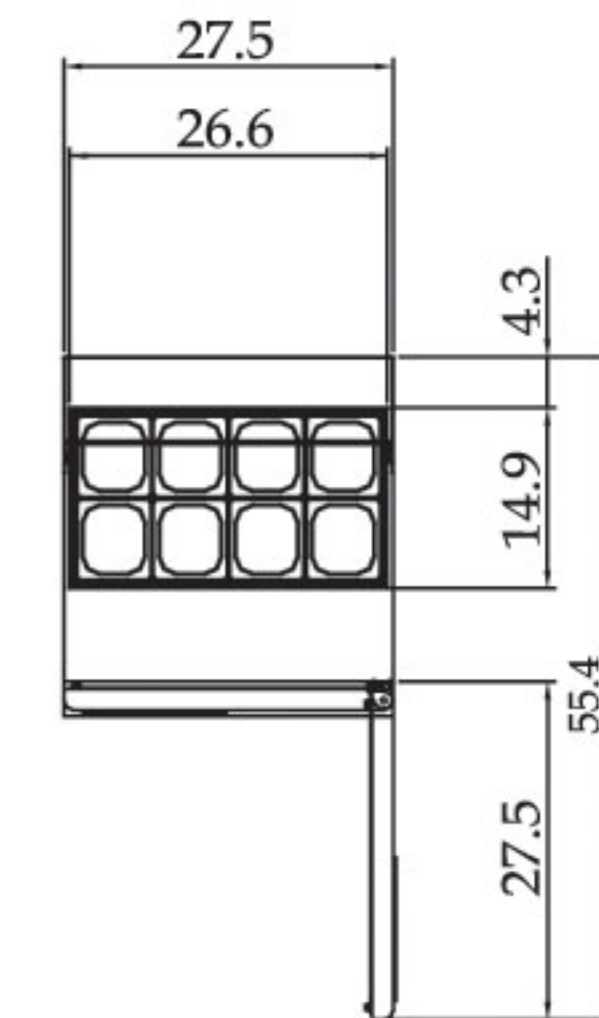
- **SELF-CONTAINED SYSTEM**
- **2.5" CASTERS AVAILABLE FOR ALL MODELS (OPTIONAL)**
- **5" SWIVEL CASTERS**
- **LEGS AVAILABLE FOR ALL MODELS (OPTIONAL)**
- **STANDARD 1/6 SIZE, 4" DEEP CONDIMENT PAN INCLUDED**
- **REMOTE CABINETS AND CONDENSING UNITS AVAILABLE FOR ALL MODELS.**

■ **WARRANTY : 1 Year Labor and Parts Warranty
 Additional 4 Years Warranty on Compressor**

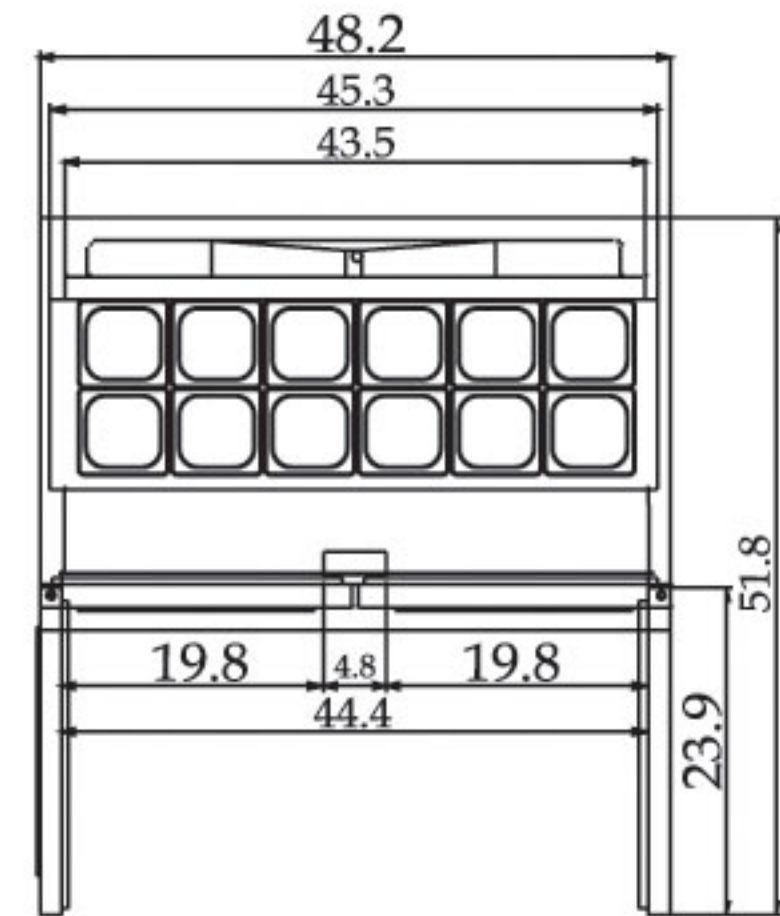
(unit : inch)



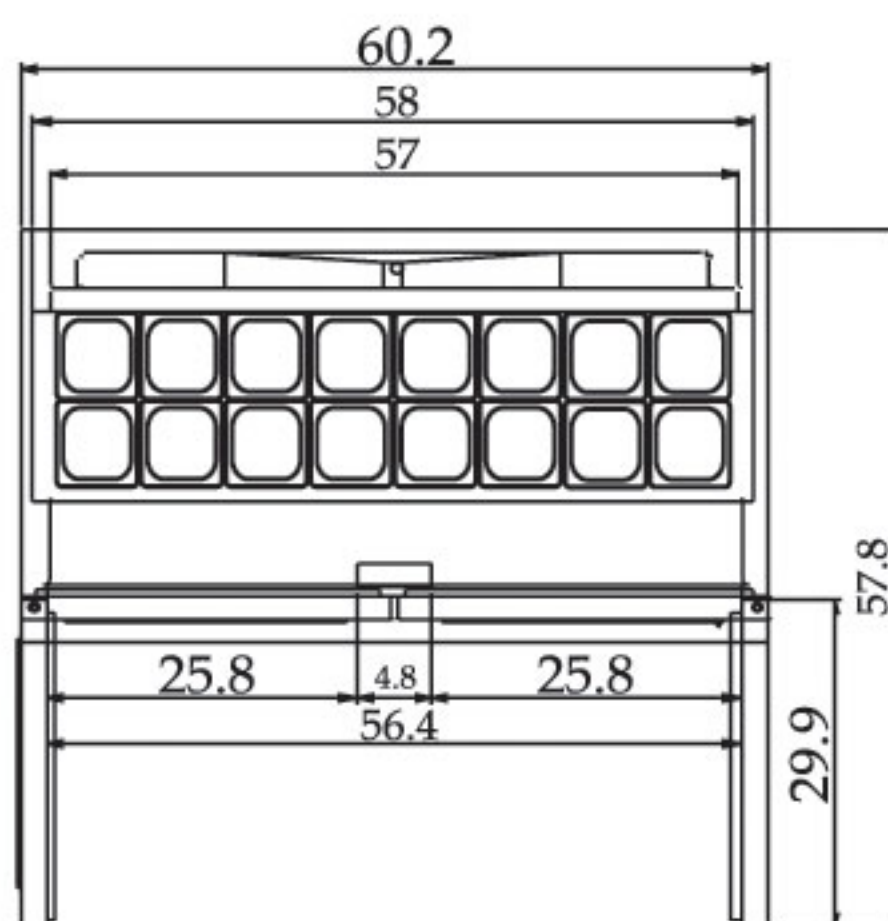
SIDE VIEW



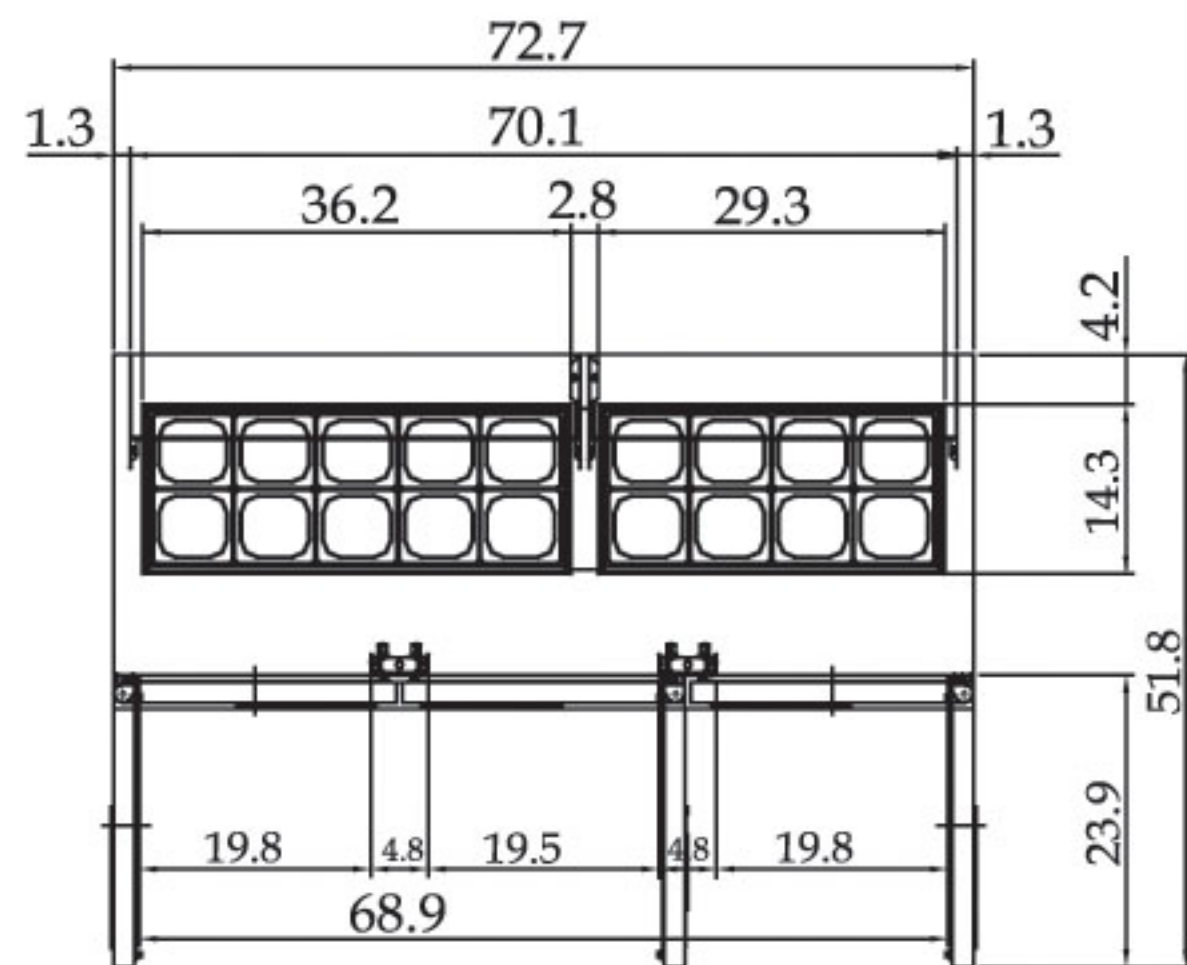
MST-28 PLAN VIEW



MST-48 PLAN VIEW



MST-60 PLAN VIEW



MST-72 PLAN VIEW