

# Pizza Prep Tables - Drawers

**NEW** Exceptional Quality 2 Years Parts and Labor Warranty



TPR-44SD-D2



TPR-67SD-D2



TPR-67SD-D4



TPR-93SD-D2



TPR-93SD-D4



TPR-93SD-D6

\* Drawer pans not included.

## FEATURES / BENEFITS

- EFFICIENT REFRIGERATION SYSTEM**  
 Turbo Air's solid door refrigerators are designed with oversized and balanced (CFC Free R-134A) refrigeration systems. These include efficient evaporators and condensers for faster cooling and greater efficiency.
- EXCELLENT COOLING SYSTEM**  
 The powerful forced-air refrigeration system maintains the storage cabinet at a constant temperature. The evaporator fan and a newly designed stainless steel louver allow uniform distribution of cold air over the food pans and throughout the unit to keep food fresher longer.
- STAINLESS STEEL CABINET CONSTRUCTION**  
 The Turbo Air Super Deluxe model boasts a stainless steel interior and exterior. It guarantees the utmost in cleanliness and long product life. ABS sheet door liners resist water condensation with thermal efficiency. The Super Deluxe can add a touch of style to the most refined setting.
- HIGH-DENSITY POLYURETHANE INSULATION**  
 The entire cabinet structure and solid doors are formed-in-place using high density, CFC free polyurethane insulation.
- DURABLE STAINLESS STEEL DRAWERS**  
 Drawers are easy to clean and assemble.
- ERGONOMICALLY DESIGNED DOORS & DRAWERS**  
 Customers' fatigue fades away with easy door grip and drawers that open effortlessly. These features along with self-closing doors make this the ultimate choice in customer convenience. ABS sheet door liners resist water condensation with thermal efficiency.
- MAGNETIC DOOR GASKETS**  
 Magnetic door and drawer gaskets are of one piece construction, removable without tools for ease of cleaning and replacement.
- EXTRA DEEP CUTTING BOARD**  
 Our cutting board is 19-1/2" deep to provide ample working space, and is made of easy to sanitize polyurethane. The new side rail cutting board bracket makes it easy to secure and remove the cutting board and it accepts different sizes too (max. 1/2" thickness)
- FRONT BREATHING, SIDE MOUNT COMPRESSOR UNIT**
- REFRIGERATOR HOLDS 33°F ~ 41°F FOR THE BEST IN FOOD PRESERVATION**

## \* Insulated Pan Cover

Model	Swing Door	Drawers	CU./FT.	#of Pans(Top)	#of Shelves	HP	AMPS	Crated Weight	L D H
TPR-44SD-D2	-	2	14	6	-	1/3	3.2	321	44 x 32 1/4 x 36
TPR-67SD-D2	1	2	20	9	2	2/3	10.4	561	67 x 32 1/4 x 36
TPR-67SD-D4	-	4	20	9	-	2/3	10.4	572	67 x 32 1/4 x 36
TPR-93SD-D2	2	2	31	12	4	2/3	11	711	93 x 32 1/4 x 36
TPR-93SD-D4	1	4	31	12	2	2/3	11	722	93 x 32 1/4 x 36
TPR-93SD-D6	-	6	31	12	-	2/3	11	733	93 x 32 1/4 x 36

\* Height does not include 6" for caster height.

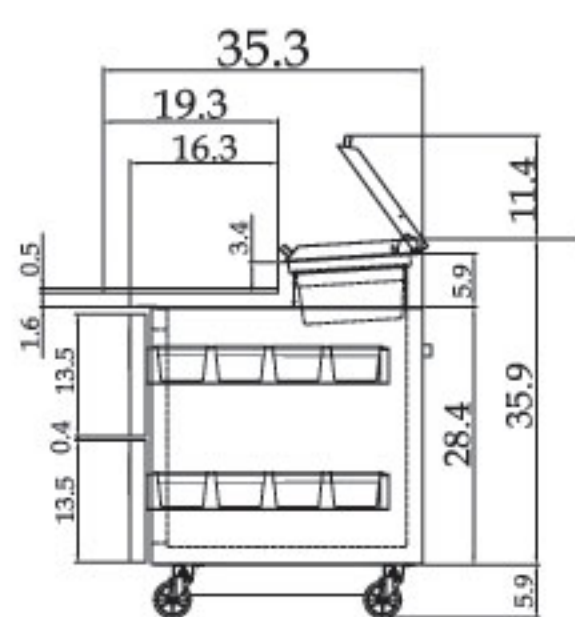
# TPR MODELS SPECIFICATIONS

MODEL	TPR-44SD-D2	TPR-67SD-D2	TPR-67SD-D4	TPR-93SD-D2	TPR-93SD-D4	TPR-93SD-D6
Exterior Dimension (LxDxH)	44x32 <sup>1</sup> / <sub>4</sub> x36	67x32 <sup>1</sup> / <sub>4</sub> x36	67x32 <sup>1</sup> / <sub>4</sub> x36	93x32 <sup>1</sup> / <sub>4</sub> x36	93x32 <sup>1</sup> / <sub>4</sub> x36	93x32 <sup>1</sup> / <sub>4</sub> x36
Cubic Feet	14	20	20	31	31	31
Compressor (HP)	1/3	2/3	2/3	2/3	2/3	2/3
# of Shelves	-	2 ea	-	4 ea	2 ea	-
Net Weight	266 lbs	407 lbs	418 lbs	601 lbs	612 lbs	623 lbs
Voltage (i) NEMA-5-15P	Ⓢ115/60/1	Ⓢ115/60/1	Ⓢ115/60/1	Ⓢ115/60/1	Ⓢ115/60/1	Ⓢ115/60/1
Amp	3.2 A	10.4 A	10.4 A	11 A	11 A	11 A
Cord Length (ft.)	9	9	9	9	9	9
Plug-In	NEMA 5-15P	NEMA 5-15P	NEMA 5-15P	NEMA 5-15P	NEMA 5-15P	NEMA 5-15P
# of Pans	6 ea	9 ea	9 ea	12 ea	12 ea	12 ea

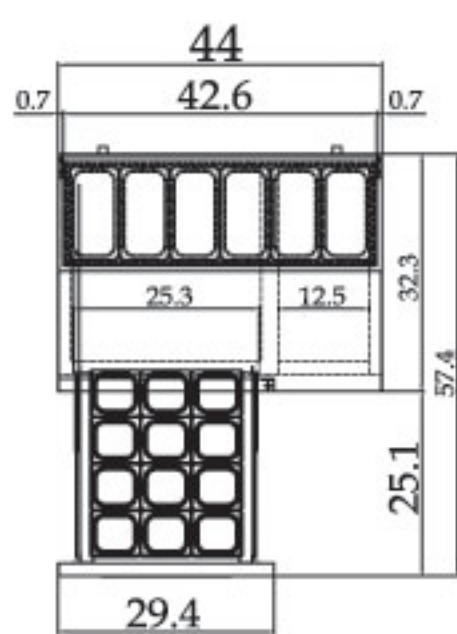
\*Design and specifications subject to change without notice.

- **SELF-CONTAINED SYSTEM**
- **5" SWIVEL CASTERS**
- **2.5" CASTERS AVAILABLE FOR ALL MODELS (OPTIONAL)**
- **WARRANTY : 2 Years Labor and Parts Warranty  
Additional 3 Years Warranty on Compressor**
- **LEGS AVAILABLE FOR ALL MODELS (OPTIONAL)**
- **STANDARD 1/3 SIZE, 6" DEEP CONDIMENT PANS INCLUDED (TOP OF CABINET)**
- **REMOTE CABINETS AND CONDENSING UNITS AVAILABLE FOR ALL MODELS.**

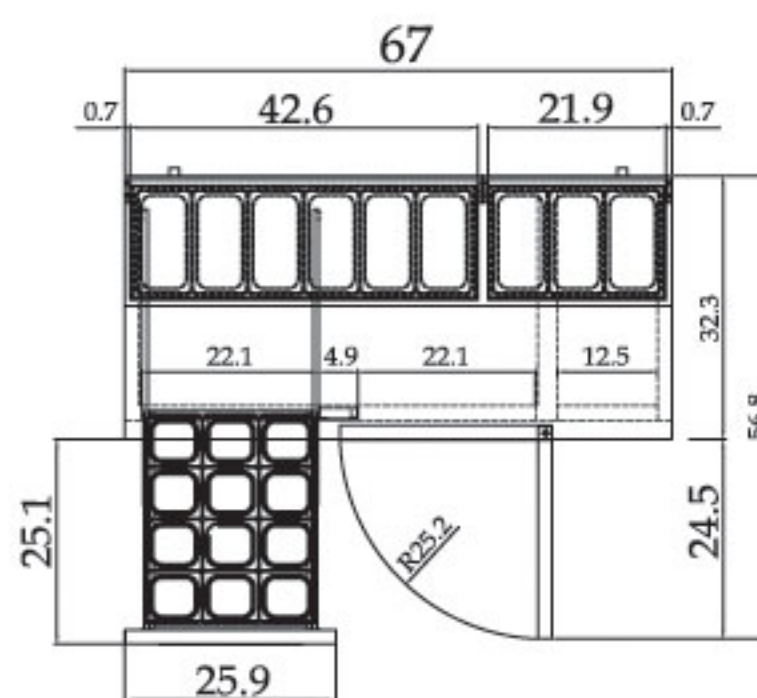
(unit : inch)



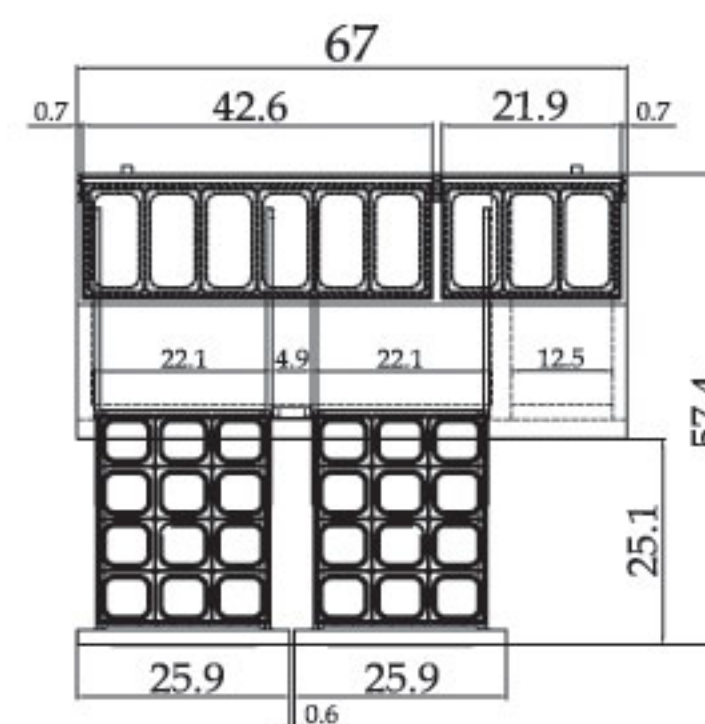
SIDE VIEW



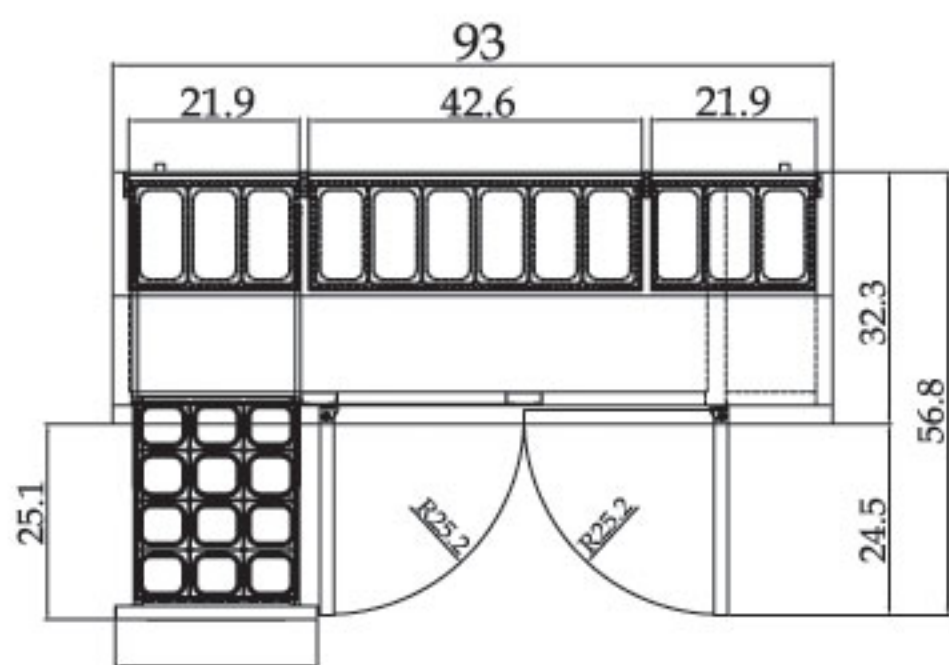
TPR-44SD-D2 PLAN VIEW



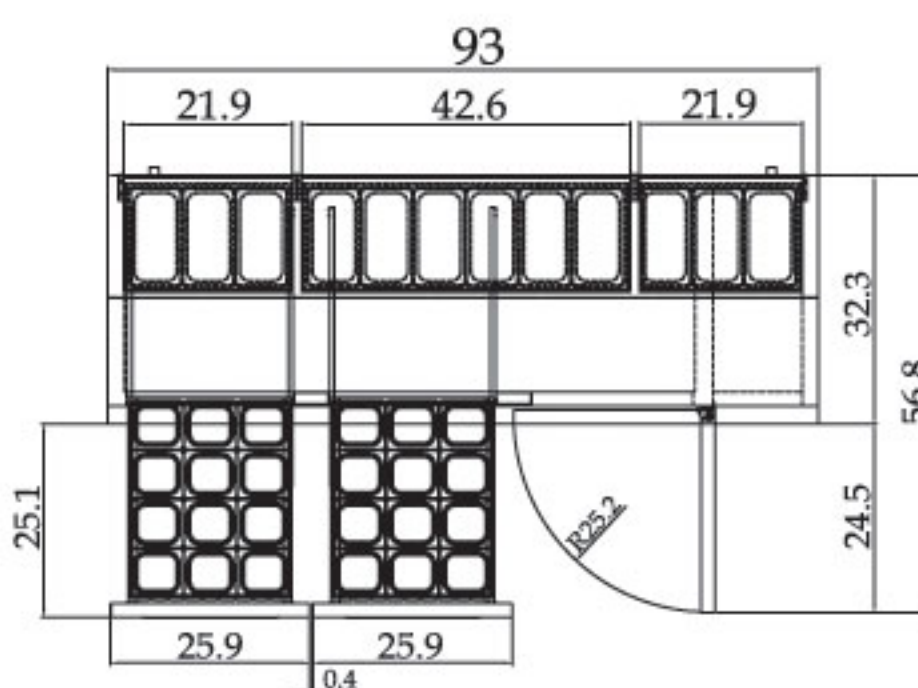
TPR-67SD-D2 PLAN VIEW



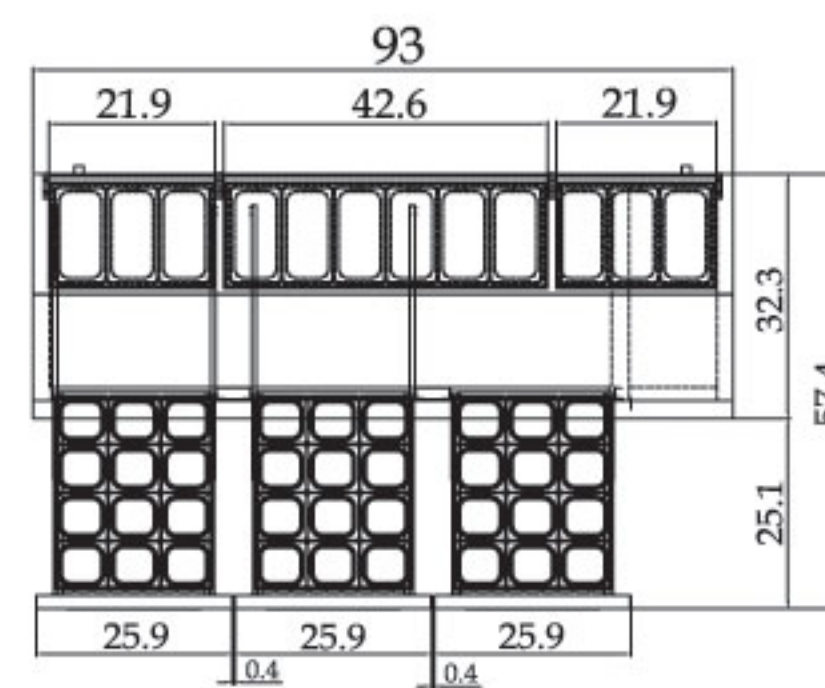
TPR-67SD-D4 PLAN VIEW



TPR-93SD-D2 PLAN VIEW



TPR-93SD-D4 PLAN VIEW



TPR-93SD-D6 PLAN VIEW