

Open Display Merchandisers

Display Cases
Open Display
Merchandisers

NEW

Horizontal Open Display Cases - Low Profile Top Display Dry Case Combination Models



FEATURES / BENEFITS

- **ENVIRONMENTAL FRIENDLY, EFFICIENT REFRIGERATION SYSTEM**
Turbo Air's refrigerators are designed with oversized and balanced environmental friendly R-134A (CFC Free) refrigeration. These include large evaporators and condensers for fast cooling and balanced temperature throughout the cabinet.
- **ATTRACTIVE GLASS SIDED ELEGANT EURO DESIGN**
Glass front shield and side walls optimize the merchandiser's display effects of fresh salads, sandwiches, desserts and beverages. Its elegant contemporary euro design will enhance any store application.
- **DESIGNED TO OPTIMIZE IMPULSE SALES**
Ideal for eye-catching displays and convenient access with fast service in high traffic area.
- **NON-PEEL, DURABLE ANTI-RUST COATING ON THE EXTERIOR REDUCES FINGERPRINTS**
- **TOP DISPLAY DRY CASES (TOMD-L) AVAILABLE IN ALL SIZES-OPTIONAL**
- **300 SERIES STAINLESS STEEL INTERIOR STANDARD INCLUDING BACK WALL, SHELVES AND DECK PANS**
- **PERFORATED INTERIOR BACK WALL AND TOP FOR IMPROVED AIR FLOW**
- **FRONT AIR INTAKE AND REAR AIR DISCHARGE**
- **STANDARD BACKGUARD IMPROVES AIRFLOW**
- **FOAMED WITH POLYURETHANE, HIGH-DENSITY CELL INSULATION (CFC FREE)**
- **WHITE AND BLACK COLOR COME STANDARD**
- **RECOMMENDED OPERATING CONDITIONS**
 - * TOM Models are designed to operate in an environment where temperature & humidity do not exceed 75°F and 55% respectively.
 - * Units should not be installed near HVAC vents, fans or doorways that will disrupt the air curtain and compromise the function of the cabinet
 - * Air curtain models will run most efficiently when completely loaded with product.

Model	CU./FT.	#of Shelves	HP	AMPS	Crated Weight	L D H
TOM-30L(B)	6.1	1	1/3	9	340	28 x 33 1/2 x 45 3/4
TOM-40L(B)	8.8	1	1/2	11	450	39 x 33 1/2 x 45 3/4
TOM-50L(B)	11.7	1	1/2	11	505	50 3/4 x 33 1/2 x 45 3/4
TOM-60L(B)	14.7	1	3/4	14.5	583	63 1/4 x 33 1/2 x 45 3/4
TOM-75L(B)	17.7	2	3/4	14.5	710	75 5/8 x 33 1/2 x 45 3/4
TOMD-30-L	1.5	-	N/A	N/A	27	28 x 12 1/4 x 13 1/4
TOMD-40-L	2.1	-	N/A	N/A	36	39 x 12 1/4 x 13 1/4
TOMD-50-L	2.9	-	N/A	N/A	45	50 3/4 x 12 1/4 x 13 1/4
TOMD-60-L	3.6	-	N/A	N/A	53	63 1/4 x 12 1/4 x 13 1/4
TOMD-75-L	4.3	-	N/A	N/A	64	75 5/8 x 12 1/4 x 13 1/4

TOM-L/TOMD-L MODELS SPECIFICATIONS

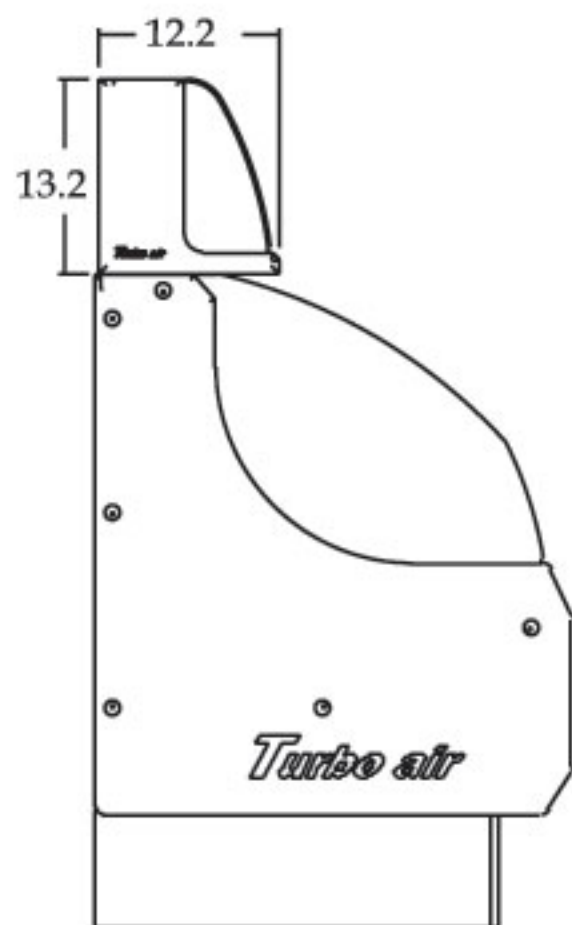
MODEL	TOM-30L(B)	TOM-40L(B)	TOM-50L(B)	TOM-60L(B)	TOM-75L(B)
Exterior Dimension (LxDxH)	28x33 1/2x45 3/4	39x33 1/2x45 3/4	50 3/4x33 1/2x45 3/4	63 1/4x33 1/2x45 3/4	75 5/8x33 1/2x45 3/4
Interior Dimension (LxDxH)	25 1/2x24x17 1/2	36 5/8x24x17 1/2	48 3/8x24x17 1/2	60 3/4x24x17 1/2	73 1/4x24x17 1/2
Compressor (HP)	1/3	1/2	1/2	3/4	3/4
Voltage (i) NEMA-5-15P	(i) 115/60/1	(i) 115/60/1	(i) 115/60/1	(i) 115/60/1	(i) 115/60/1
AMP	9A	11A	11A	14.5A	14.5A
Plug-In	NEMA 5-15P	NEMA 5-15P	NEMA 5-15P	NEMA 5-15P	NEMA 5-15P
# of Shelves	1 ea	1 ea	1 ea	1 ea	2 ea
Shelf Size	25 1/2x10 3/4	36 1/2x10 3/4	47 1/4x10 3/4	60 3/4x10 3/4	36 1/2x10 3/4
Net Weight	257 lbs	317 lbs	376 lbs	448 lbs	507 lbs

MODEL	TOMD-30-L	TOMD-40-L	TOMD-50-L	TOMD-60-L	TOMD-75-L
Exterior Dimension (LxDxH)	28x12 1/4x13 1/4	39x12 1/4x13 1/4	50 3/4x12 1/4x13 1/4	63 1/4x12 1/4x13 1/4	75 5/8x12 1/4x13 1/4
Interior Dimension (LxDxH)	25 1/2x9 1/8x11 3/8	36 5/8x9 1/8x11 3/8	48 3/8x9 1/8x11 3/8	60 3/4x9 1/8x11 3/8	73 1/4x9 1/8x11 3/8
Net Weight	27 lbs	36 lbs	45 lbs	53 lbs	64 lbs

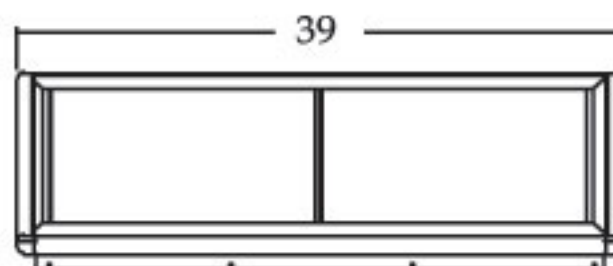
*Design and specifications subject to change without notice.

■ **WARRANTY :** 1 Year Labor and Parts Warranty
Additional 4 Years Warranty on Compressor

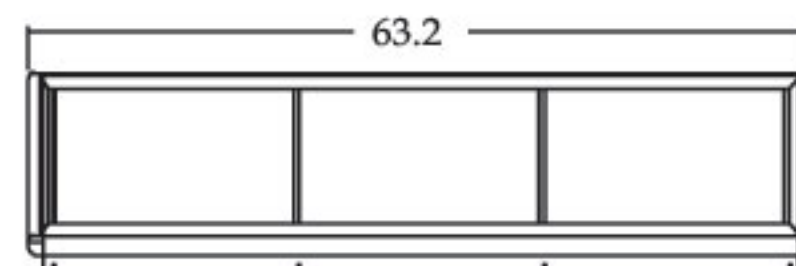
(unit : inch)



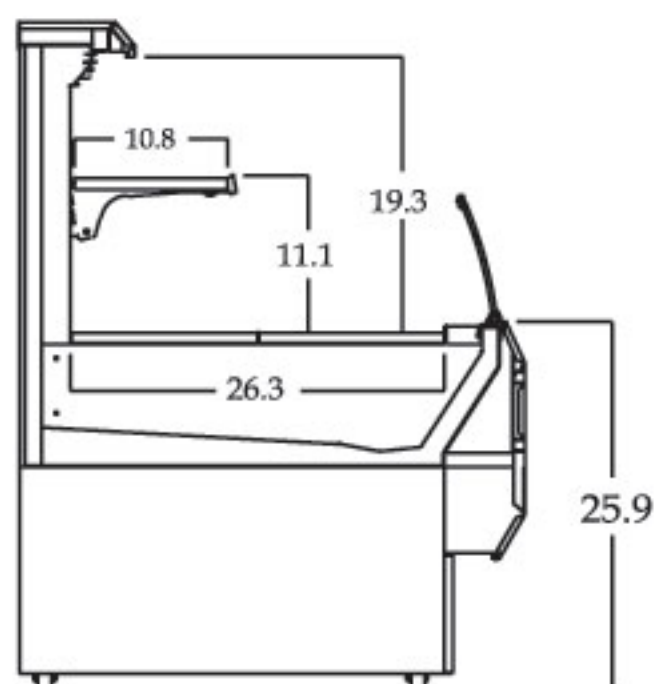
TOM-L COMBINATION WITH TOMD-L
SIDE VIEW



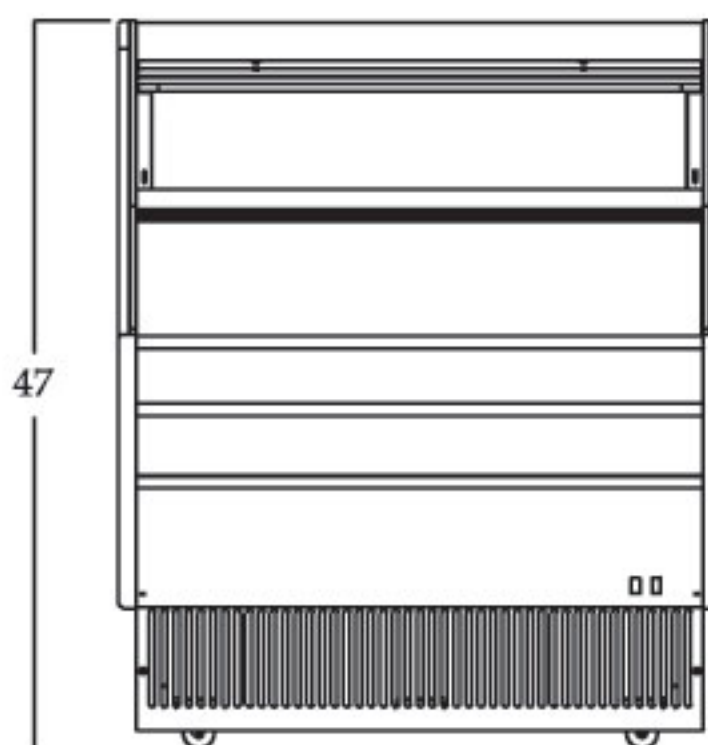
TOMD-40-L PLAN VIEW



TOMD-60-L PLAN VIEW



TOM-L SIDE VIEW



TOM-40L FRONT VIEW



TOM-60L FRONT VIEW