

CamKiosk® Cart

With Umbrella

Domestic Models KVC854U, KVC856U
International Models KVC854U220, KVC856U220



Features & Benefits

- Offers opportunity to capture new or incremental sales in non-traditional locations.
- Double-wall, high-density, polyethylene construction is impact resistant and will not dent, crack, bubble, chip or break. Can be wiped or steam cleaned.
- Polyurethane foam-insulation provides added strength and durability.
- Available in four or six 12" x 20" (32,5 x 53 cm) full pan, 6" (15,2 cm) deep, work top configurations for multiple serving options.
- Two fully insulated storage compartments store hot or cold foods in Gastronorm food pans with covers.
- GN 1/1 Full Size Food Pan capacity per compartment:
 - 12 each, 2 1/2" (6,5 cm) deep
 - 8 each, 4" (10 cm) deep
 - 6 each, 6" (15 cm) deep
 - or 4 each, 8" (20 cm) deep
- Externally mounted thermometers (F° on domestic models, C° on international models) in each storage compartment allow easy monitoring of food holding temperatures.
- Sneeze guard meets food preparation requirements for both height and length.
- Dry storage compartment locks to keep cash drawer and other valuables safe.
- Removable menu board with erasable surface included.
- Display shelf promotes food merchandising for building add-on purchases.
- Molded-in handles on both sides provided comfortable easy transporting.
- Four each 6" (15,2 cm) swivel casters, 2 w/ brakes ensure easy transport across a lobby floor or campus.
- Handsome umbrella and display panel can be personalized. Standard display panel comes with Cruising Café logo unless otherwise specified. Standard canopy is not printed.
- Non-electrical.
- Some assembly required.
- System available in 7 solid colors and 2 combined colors. Two standard canopy colors selected, unless otherwise specified.

Item No. _____

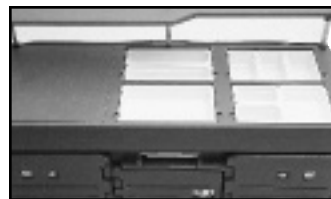
Specifier Identification No. _____

Model No. _____

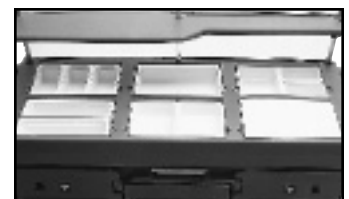
Quantity _____



KVC854U



4 Well Top



6 Well Top

GN Food Pan configuration for top row left to right includes:

- 2 each 1/2 Long Food Pans
- 3 each 1/3 Food Pans with two DIV12 Divider Bars

GN Food Pan configuration for bottom row left to right includes:

- 1 each 1/1 Food Pan
- 2 each 1/4 and one 1/2 Food Pans with one DIV12 Divider Bar

GN Food Pan configuration for top row left to right includes:

- 3 each 1/3 Food Pans with two DIV12 Divider Bars
- 1 each 1/1 Food Pan
- 2 each 1/4 and one 1/2 Food Pans with one DIV12 Divider Bar

GN Food Pan configuration for bottom row left to right includes:

- 2 each 1/2 Long Food Pans
- 2 each 1/2 Food Pans with one DIV12 Divider Bar
- 1 each optional Cutting Board

CamKiosk® Cart

With Umbrella

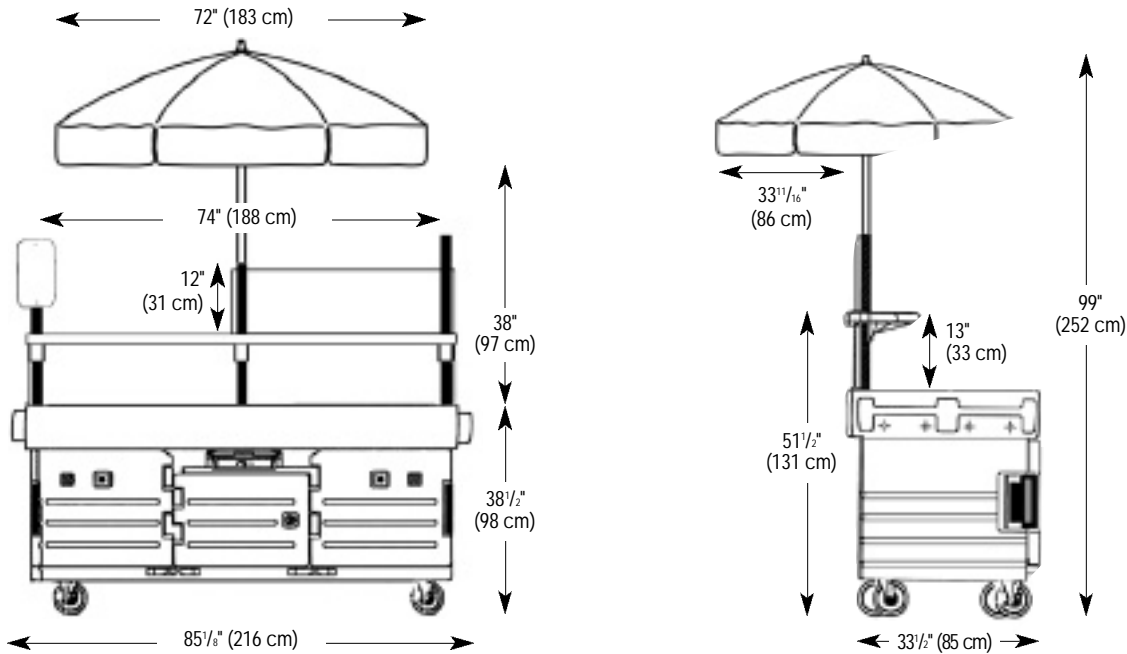
Domestic Models KVC854U, KVC856U
International Models KVC854U220, KVC856U220

Item No. _____

Specifier Identification No. _____

Model No. _____

Quantity _____



Specifications

Dimension Tolerance: +/- 1/4" (0,64 cm)

Code	Description	Overall Dimension L x W x H (With Umbrella)	Shipping weight lbs./cube (Kg/m ³)
Domestic with Umbrella			
KVC854U	Cart w/4 pan wells	85 1/8" x 67 3/8" x 99" (216 x 171 x 252 cm)	386/76.6 (175,2/2,14)
KVC856U	Cart w/6 pan wells	85 1/8" x 67 3/8" x 99" (216 x 171 x 252 cm)	386/76.6 (175,2/2,14)
International with Umbrella			
KVC854U220	Cart w/4 pan wells	85 1/8" x 67 3/8" x 99" (216 x 171 x 252 cm)	386/76.6 (175,2/2,14)
KVC856U220	Cart w/6 pan wells	85 1/8" x 67 3/8" x 99" (216 x 171 x 252 cm)	386/76.6 (175,2/2,14)

Optional Accessories

Well Cover WCR1220 Camchiller® CP1220
Cutting Board CB1220 ThermoBarrier® 1600DIV

Standard Colors

CamKiosk:
 Granite Gray (191) Granite Green (192) Granite Red (193)
 Granite Sand (194) Navy Blue (186) Hot Red (158)
 Kentucky Green (519) Granite Green Base with Black Top (425)
 Black Base with Granite Gray Top & Door (426)

Umbrella:
 Green and Beige

Well Cover:
 Black (110) Red (158) Blue (187)
 Green (519) Granite Gray (191) Granite Green (192)
 Granite Red (193) Granite Sand (194)

Architect Specs

The portable foodservice cart shall be a CamKiosk, manufactured by Cambro Mfg. Co., Huntington Beach, CA 92648 U.S.A. It shall be a Cambro Model... It shall be made of polyethylene and foam-injected polyurethane. It shall have molded-in handles, 4 each 6" (15,2 cm) swivel casters, 2 w/ brakes on a molded-in chassis. It shall have four or six GN 1/1 Full Size Food Pan, 6" (15,2 cm) deep work top configurations and 2 insulated storage compartments to accommodate Gastronorm pans with covers. It shall have externally mounted thermometers in each storage compartment. It shall have a sneeze guard with a display shelf, a locking dry storage compartment and a removable menu board. It shall come with or without a umbrella and will have a standard customized display panel with Cruising Café logo. The CamKiosk shall be available in 9 colors.