



Energy  
**MIZER**

## GW-100

Chemical Sanitizing  
Undercounter  
Glasswasher



### FEATURES:

- Cleans and sanitizes up to 1000 2-1/2" glasses per hour.
- Hands-free glass activated on/off stop is safe and convenient.
- Independent upper and lower wash and rinse arms ensure superior results.
- 120V with built-in 1.25kW electric tank heater maintains the recirculated wash water to the recommended 140°F wash temperature.
- Compatible with both Iodine and Chlorine Sanitizers.
- Simple controls for operation and cleaning.
- All stainless steel construction assures trouble free service and a long life.
- Adjustable rinse temperature allows flexible sanitizing options.
- Poly Pro™ circular conveyor is extremely durable and reduces chipping and breakage of glassware.
- Double wall construction for quiet back bar operation.
- Internal chemical storage.
- Built-in chemical pumps with primer switches.



Stainless steel wash/rinse chamber.

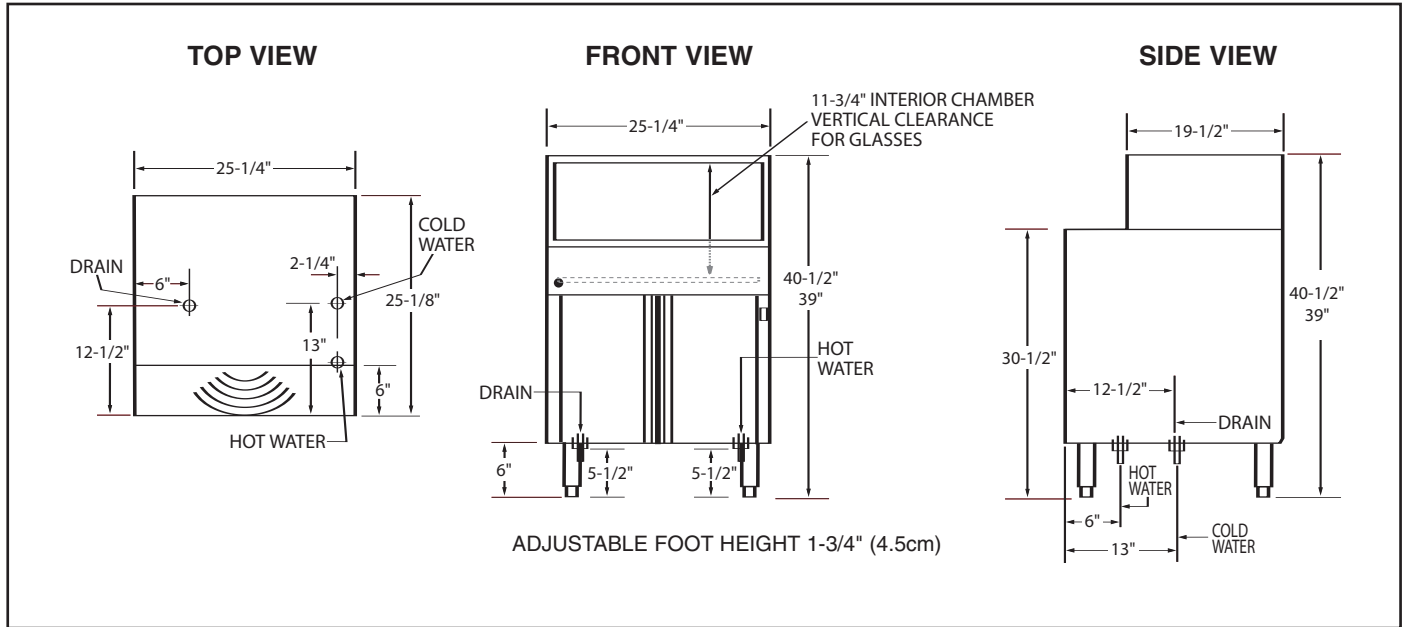


Independent spray arms blast water from the top and bottom for optimum cleaning, sanitizing and rinsing.





**WARNING:** Plumbing connections must be made by a qualified service company who will comply with all available Federal, State, and Local Health, Plumbing and Safety codes.



**Specifications:**

MODEL GW-100	USA	METRIC	USA	METRIC
<b>OPERATING CAPACITY</b> (2-1/2") GLASSES PER HOUR	1000	1000	<b>DIMENSIONS</b> DEPTH WIDTH HEIGHT MAXIMUM CLEARANCE FOR GLASSWARE	(63.8cm) (64.1cm) (99-102.8cm) (29.84cm)
<b>OPERATING TEMPERATURES</b> INLET WATER. (HOT) RECOMMENDED INLET WATER. (COLD)	140°F 75°F	(60°C) (24°C)		
<b>WATER CONSUMPTION</b> HOT WATER (INITIAL FILL) HOT WATER PER HOUR (MAX) COLD WATER PER MINUTE (APPROX)	3 GAL 12 GAL 2.8 GPM	(11.25 L) (45.42 L) (10.6 LPM)		
<b>WATER REQUIREMENTS</b> HOT WATER INLET COLD WATER INLET DRAIN (MAX)	1/2" 1/2" 1-1/2"	(1.27cm) (1.27cm) (3.81cm)		
			<b>ELECTRICAL RATING</b> <b>VOLTS</b> 120/60/1	<b>AMPS</b> 11
			<b>TANK HEATER</b>	1.25kW
			<b>SHIPPING WEIGHT APPROXIMATE</b>	156# (71kg)

**Summary Specifications: Model GW-100**

The GW-100 glasswasher is designed to produce sparkling clean glassware utilizing separate detergent, sanitizer and rinse aid chemical pumps. Standard features include upper and lower wash/rinse arms, wash tank heater, Poly Pro™ conveyor, splash curtains, double-walled construction, and storage space for three 1-gallon containers. The GW-100 is constructed for extended life out of stainless steel.

**Available Options**

- Drain tray and waste collector.

