



**C**  
Chemical Sanitizing  
Single Rack Corner  
Dishwasher



**FEATURES:**

- 40 racks / 160 covers per hour.
- All stainless steel construction assures long life and years of trouble free operation.
- Unique spray arm system features upper and lower stainless steel wash arms with reinforced end caps. Specially designed pull-pins allow wash arms to be easily removed for cleaning.
- Pump purging system improves results by eliminating soil and chemical carryover during rinse cycle.
- Top mounted controls include built-in chemical pumps and delimiting system that assures proper chemical usage.
- Auto start/stop makes operation safe and easy.
- Integrated scrap tray prevents food soil from entering drain system.
- Water inlet comes with built-in strainer, prevents debris from clogging the water valve.
- Dishmachine comes with 2 dishracks.
- Stainless steel impeller offers extended life and service.



Optional Temp-Sure™ heater assures a continuous supply of 140°F hot water that guarantees excellent results.



Unique pull-pin design allows wash arms to be easily removed for cleaning.



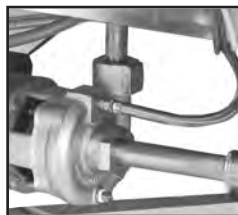
Bowl option available for capsule dispensed products.



Built-in Poly Pro™ scrap accumulator.



Top mounted controls include built-in chemical pumps and delimiting system that assures proper chemical usage.



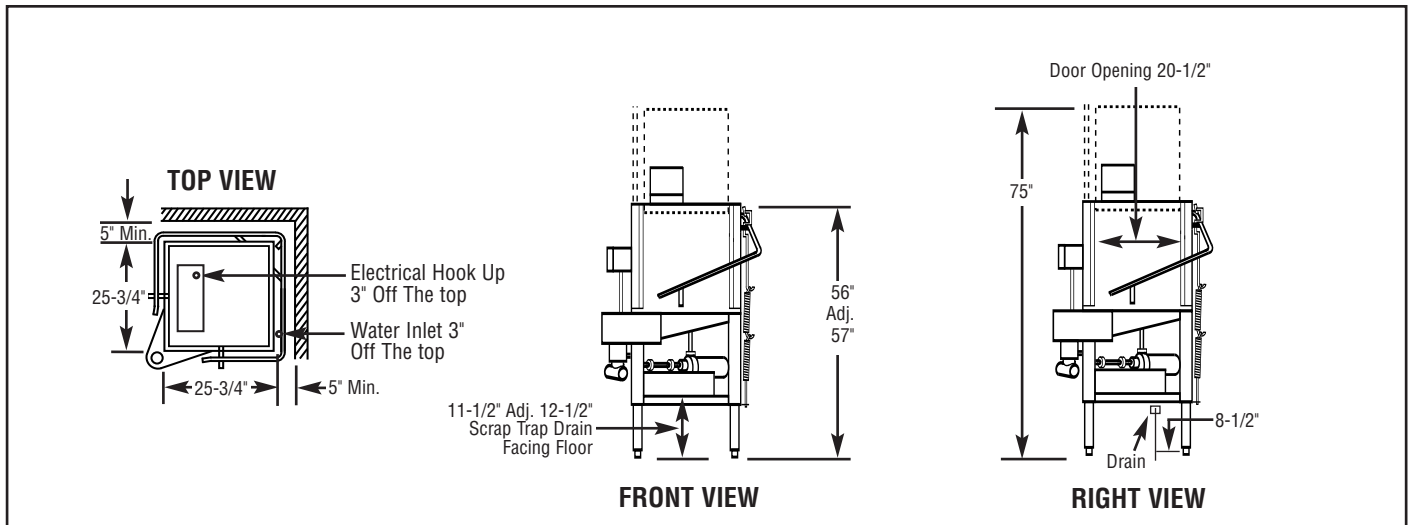
Pump purging system improves results by eliminating soil and chemical carryover during rinse cycle.





**C**  
**Chemical Sanitizing  
 Single Rack Corner  
 Dishwasher**

**WARNING:** Plumbing connections must be made by a qualified service company who will comply with all available Federal, State, and Local Health, Plumbing and Safety codes.



**Specifications:**

MODEL C	USA	METRIC	USA	METRIC
<b>OPERATING CAPACITY</b> RACKS PER HOUR (NSF RATED)	40	40	<b>WASH PUMP MOTORS HP</b>	1
<b>OPERATING CYCLE</b> WASH TIME-SEC	45	45	<b>DIMENSIONS</b> DEPTH	25-3/4" (65.4cm)
RINSE TIME-SEC	30	30	WIDTH	25-3/4" (65.4cm)
DWELL TIME-SEC	15	15	HEIGHT	56"-57" (144cm)
TOTAL CYCLE TIME	90	90	STANDARD TABLE HEIGHT	34" (86cm)
WASH TANK CAPACITY	1.7 GAL.	(6.45 L)	MAXIMUM CLEARANCE FOR DISHES	17" (43cm)
PUMP CAPACITY	52 GPM	(197 LPM)	<b>STANDARD DISHRACK DIMENSIONS</b>	1 19-3/4"X19-3/4" (50X50cm)
<b>OPERATING TEMPERATURE</b> REQUIRED	120°F	(49°C)	<b>ELECTRICAL RATING</b> VOLTS	115
RECOMMENDED	140°F	(60°C)	AMPS	16
<b>WATER CONSUMPTION</b> PER RACK	1.7 GAL.	(6.45 L)	<b>SHIPPING WEIGHT</b> APPROXIMATE	270# (122kg)
PER HOUR	74 GPH	(280 LPH)		
<b>WATER REQUIREMENTS</b> WATER INLET	3/4"	(1.9cm)		
DRAIN-I.P.S.	2"	(5.1cm)		

**Summary Specifications: Model C**

CMA Energy Mizer model C low temperature, chemical sanitizing commercial dishwasher meets NSF, UL and CSA sanitation and construction standards WITHOUT the use of BOOSTER or TANK HEATERS. The model C is constructed entirely of stainless steel. Each unit automatically washes, rinses and sanitizes food service utensils in standard 19-3/4" x 19-3/4" racks. Unit comes standard with upper and lower stainless steel wash arms. The model C incorporates a pump purging system that improves results by eliminating soil and chemical carryover during rinse cycle.

**Available Options**

- Solid/Powder Dual Bowl Dispenser
- CMA Temp-Sure™ (Self contained 12kW heater)
- Sanitizer Alarm
- Stainless Steel Dishtables
- Alternative Cycle Times
- Alternative Electrical Available for Export

