



CELINA

TEMPERATURE RANGE
+30/+90

Specifications

	CELINA 80	CELINA 130
CODE	CE01	CE02
Length [mm]	800	1300
Length (drewno/h17) [mm]	800	1300
Capacity [dm ³]	95	155
Working capacity of the chamber [dm ³]	95	155
The area of shelves [m ²]	0,54	0,83
Exhibition area [m ²]	0,54	0,83
Depth [mm]	785	785
Height [mm]	615+/10	615+/10
Unit weight [kg]	50	75
Rated voltage [V]	230/50Hz	230/50Hz
Rated power of lighting [W]	8,7	12,8
Rated power [W]	1833	1845
produkt.tech.moc_znamionowa_grzalek	1800	1800
Electricity consumption [kWh/24h]	0,6	0,6
Number of containers GN type [pcs]	2	3

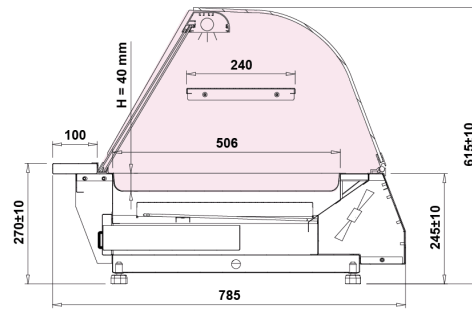
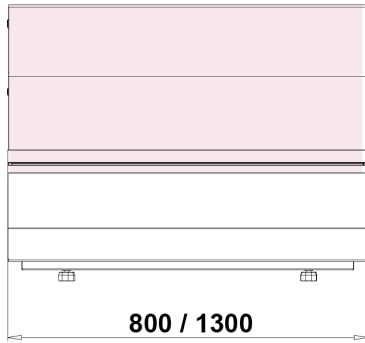
Standard equipment

warm air circulation
 external housing made of acid-resistant stainless steel
 exposition area made of acid-resistant stainless steel, prepared for GN containers
 exposition shelf made of acid-resistant stainless steel
 curved front glass openable
 night blinds made of polycarbonate (from staff side)
 Lamp with LED light (confectionery color)
 temperature regulator

ID

813
1006LED light (confectionary color)
gastronomic container GN 1/1 - depth 40 mm

Options



Correspondence: ul. Kazimierza Wielkiego 13, 32-700 Bochnia, Poland
Production: Stary Wiśnicz 289, 32-720 Nowy Wiśnicz, Poland

tel.: +48 14/ 662 19 10
fax: +48 14/ 662 19 12

