



# BEVERAGE-AIR

PO Box 5932, Spartanburg, SC 29304  
1-888-845-9800 Fax# 1-864-582-5083  
<http://www.Beverage-Air.com>

## Commercial Refrigeration Equipment General Specification

### DEEP & SHALLOW WELL— HORIZONTAL BOTTLE COOLERS

Deep Well horizontal coolers include 4 (four) self-contained models in widths of 50", 65", 80" and 95". One shallow well model (SF34) is available in width of 35".

### CABINET CONSTRUCTION

Exteriors of both deep well and shallow well models include attractive, wear-resistant vinyl on steel in black finish. Stainless steel options are available.

Bottle cap opener and cap catcher is standard with all models.

Tops of both deep well and shallow well models include easy glide, stainless steel lids and stainless steel counter top with integral glass stops. Optional glass lids, when specified, come with interior lighting. Lid locks are optionally available.

Standard interior metal is galvanized steel. Stainless steel interior is optionally available. Adjustable dividers included are epoxy coated steel wire.

Environmentally friendly foamed-in-place CFC and HCFC-free polyurethane insulation enhances the structural strength of the cabinet and helps increase energy efficiency.

### REFRIGERATION

Forced air refrigeration systems provide ample capacity to chill and hold products between 32°F and 38°F. Refrigerant R134a used in systems is CFC and HCFC-free for compliance to environmental safety concerns. Condensate elimination is automatic and non-electric.

### ELECTRICAL

Units wired at factory and ready for connection to a 115/60/1 phase, 15 amp dedicated outlet. 8' long cord and plug set included.

Item No. \_\_\_\_\_  
Quantity \_\_\_\_\_

## DEEP & SHALLOW WELL HORIZONTAL COOLERS DW/SF SERIES

MODELS:  
DW49  
DW64  
DW79  
DW94  
SF34



DW49-B



DW64-B



DW79-B



DW94-B



\*Note: Not all markings may apply to all model variations.

Available From:

|                              |                       |
|------------------------------|-----------------------|
| <b>Model Specified</b> _____ | <b>Store#</b> _____   |
| <b>Location</b> _____        | <b>Quantity</b> _____ |



**BEVERAGE-AIR**

**ELECTRICAL CONNECTION**

Units pre-wired at factory and include 8' long cord and plug set.



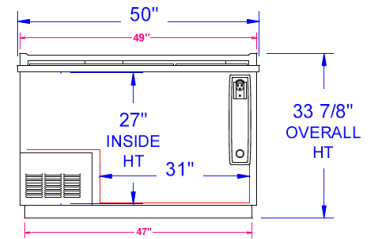
115/60/1  
NEMA-5-15P

**Deep & Shallow Well Horizontal Bottle Coolers**

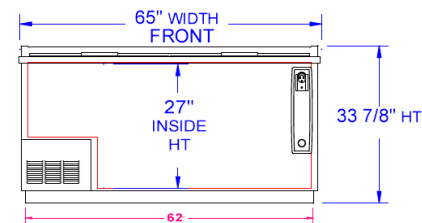
Models: DW49, DW64, DW79, DW94, SF34

| MODEL                            | DW49         | DW64         | DW79         | DW94         | SF34         |
|----------------------------------|--------------|--------------|--------------|--------------|--------------|
| <b>EXTERNAL DIMENSIONAL DATA</b> |              |              |              |              |              |
| Length Overall (inches)          | 50"          | 65"          | 80"          | 95"          | 35"          |
| Length Overall (mm)              | 1270         | 1651         | 2032         | 2413         | 889          |
| Depth Overall (inches)           | 26 1/2"      | 26 1/2"      | 26 1/2"      | 26 1/2"      | 26 1/2"      |
| Depth Overall (mm)               | 673          | 673          | 673          | 673          | 673          |
| Height Overall—(inches)          | 33 7/8"      | 33 7/8"      | 33 7/8"      | 33 7/8"      | 33 7/8"      |
| Height Overall—(mm)              | 860          | 860          | 860          | 860          | 860          |
| Number of lids                   | 2            | 2            | 3            | 4            | 1            |
| <b>INTERNAL DIMENSIONAL DATA</b> |              |              |              |              |              |
| NET Capacity (cubic ft.)         | 13.3         | 18.5         | 24.1         | 28.5         | 7.5          |
| NET Capacity (Liters)            | 377          | 524          | 682          | 807          | 212          |
| Internal Length Overall (inches) | 46"          | 61"          | 76"          | 91"          | 31"          |
| Internal Length Overall (mm)     | 1168         | 1549         | 1930         | 2311         | 787          |
| Internal Depth Overall (inches)  | 22 1/2"      | 22 1/2"      | 22 1/2"      | 22 1/2"      | 22 1/2"      |
| Internal Depth Overall (mm)      | 572          | 572          | 572          | 572          | 572          |
| Internal Height Overall (inches) | 27"          | 27"          | 27"          | 27"          | 18 1/2"      |
| Internal Height Overall (mm)     | 686          | 686          | 686          | 686          | 470          |
| Number of dividers               | 3            | 4            | 5            | 6            | 2            |
| 12 oz. bottle capacity           | 17 1/2 cases | 25 1/4 cases | 32 cases     | 39 cases     | 9 1/3 cases  |
| 12 oz. can capacity              | 23 3/4 cases | 34 3/4 cases | 45 3/4 cases | 55 3/4 cases | 11 1/2 cases |
| <b>ELECTRICAL DATA</b>           |              |              |              |              |              |
| Full Load Amperes 115/60/1       | 6.3          | 6.3          | 9.5          | 9.5          | 4.5          |
| <b>ENERGY CONSUMPTION (KWH)</b>  |              |              |              |              |              |
|                                  | 3.0          | 3.52         | 3.77         | 4.32         | 4.4          |
| <b>REFRIGERATION DATA</b>        |              |              |              |              |              |
| Horsepower                       | 1/3          | 1/3          | 1/2          | 1/2          | 1/5          |
| <b>WEIGHT DATA</b>               |              |              |              |              |              |
| Gross Weight (Crated lbs)        | 378          | 331          | 388          | 468          | 214          |
| Gross Weight (Crated kg)         | 172          | 150          | 176          | 212          | 97           |

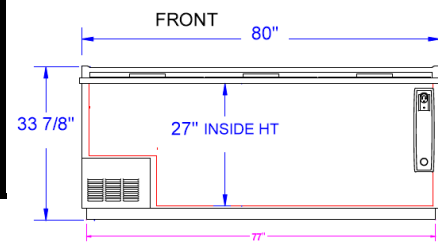
**PLAN VIEWS**



**DW49 FRONT**



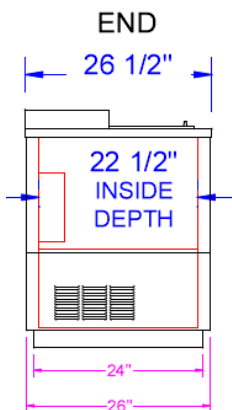
**DW64 FRONT**



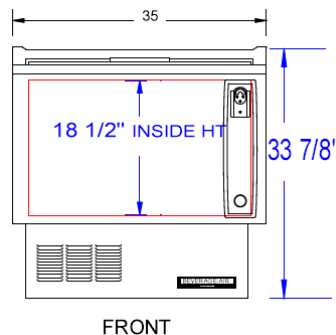
**DW79 FRONT**



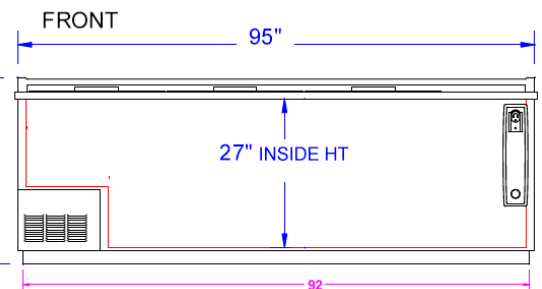
\*Note: Not all markings may apply to all model variations.



**COMMON END**



**SF34 FRONT**



**DW94 FRONT**

**BEVERAGE-AIR® CORPORATION**

700 Buffington Road • PO Box 5932 • Spartanburg, SC 29304 USA • (864) 582-8111 • Fax (864) 582-5083 • (888) 845-9800 • www.beverage-air.com

Specifications are subject to change without prior notice. 01/10