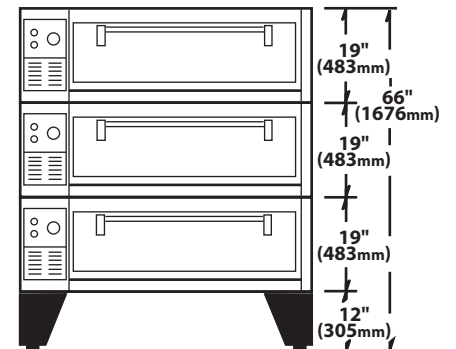
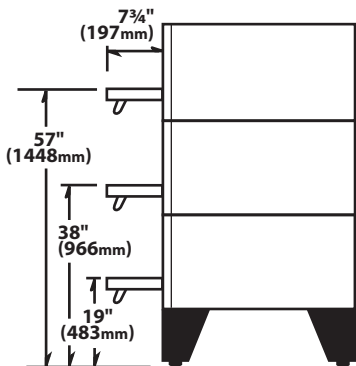
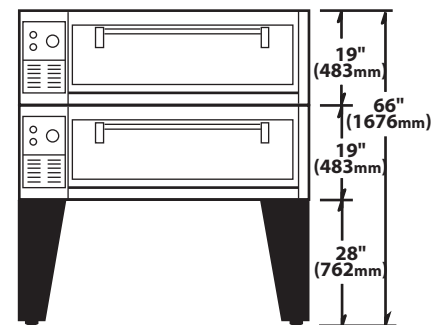
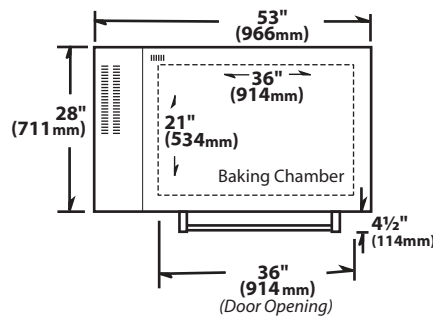
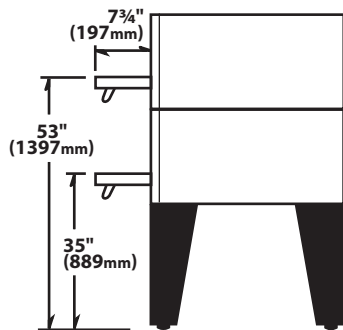
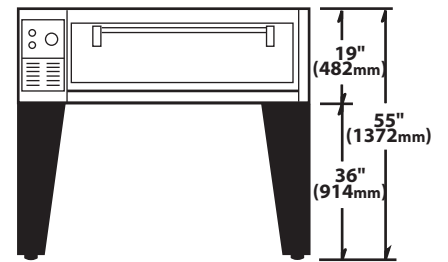
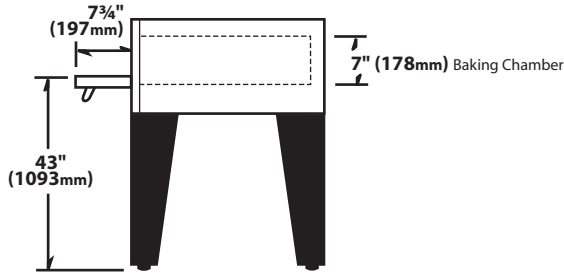




EDO Electric Series Pizza Ovens Specifications

Model No. EDO2136

Phone: (631) 226-6688
FAX: (631) 226-6890



	EDO 2136 Single	EDO 2136 Double	EDO 2136 Triple
Height	55"	66"	69"
	1397 mm	1676 mm	1757 mm
Depth x Length	28" x 53"	28" x 53"	28" x 53"
	711 mm x 1346mm	711 mm x 1346 mm	711 mm x 1346 mm
Cooking Surface	21" x 36"	21" x 36" x 2	21" x 36" x 3
	534 mm x 914 mm	534 mm x 914 mm	534 mm x 914 mm
# of Decks	1	2	3
Shipping Weight	450 lbs.	900 lbs.	1,350 lbs.

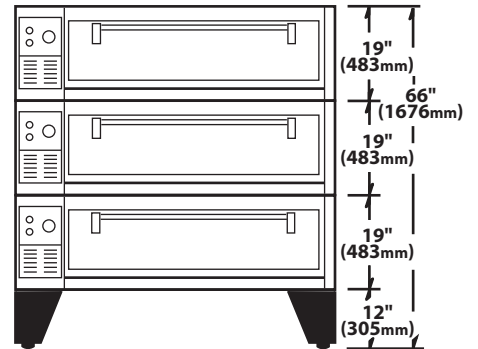
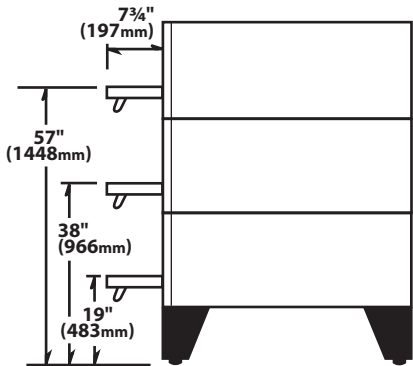
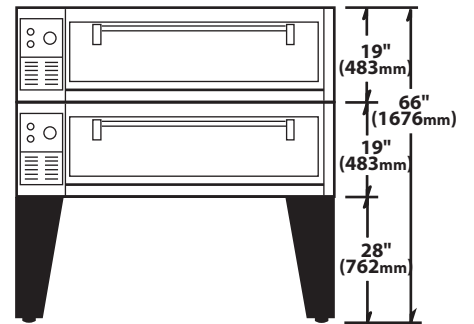
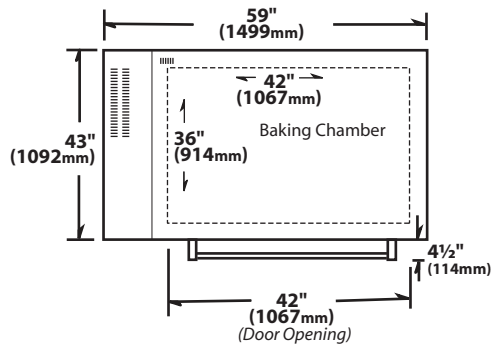
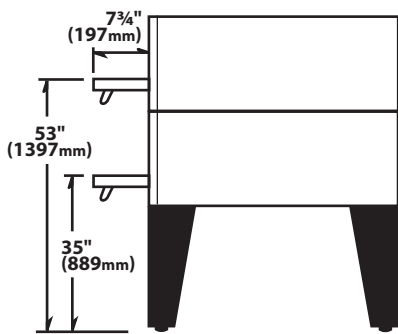
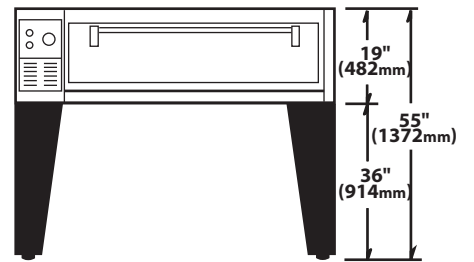
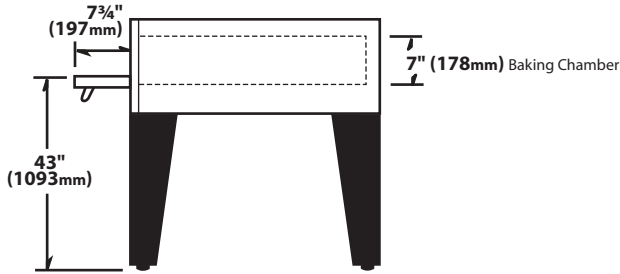
Power Supply: All Models		
WATTS	4,000	4,000
VOLTAGE	208	220-240
PHASE	1	1
AMPS	20	17



EDO Electric Series Pizza Ovens Specifications

Model No. EDO42

Phone: (631) 226-6688
FAX: (631) 226-6890



	EDO 42 Single	EDO 42 Double	EDO 42 Triple
Height	55"	66"	69"
	1397 mm	1676 mm	1757 mm
Depth x Length	43" x 59"	43" x 59"	43" x 59"
	1092 mm x 1499 mm	1092 mm x 1499 mm	1092 mm x 1499 mm
Cooking Surface	36" x 42"	36" x 42" x 2	36" x 42" x 3
	914 mm x 1067 mm	914 mm x 1067 mm	914 mm x 1067 mm
# of Decks	1	2	3
Shipping Weight	600 lbs.	1,200 lbs.	1,800 lbs.

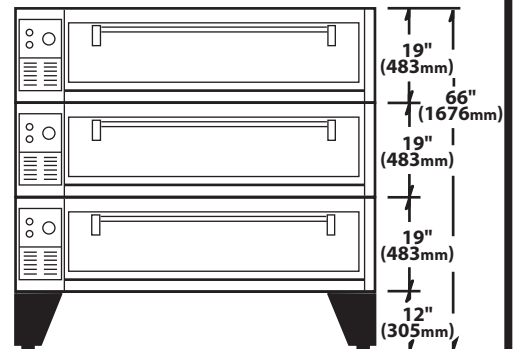
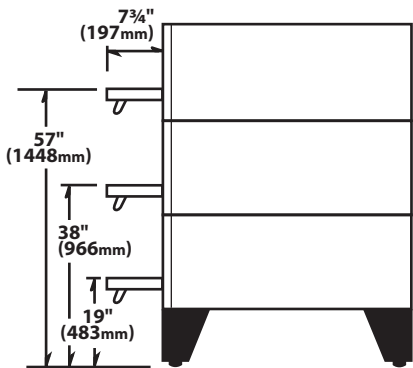
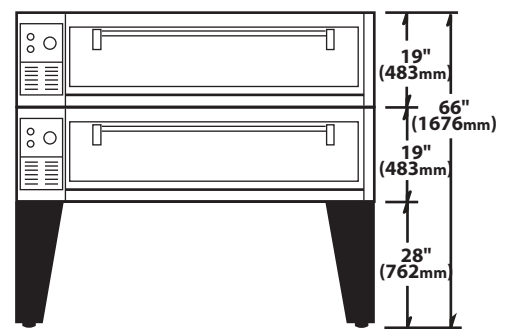
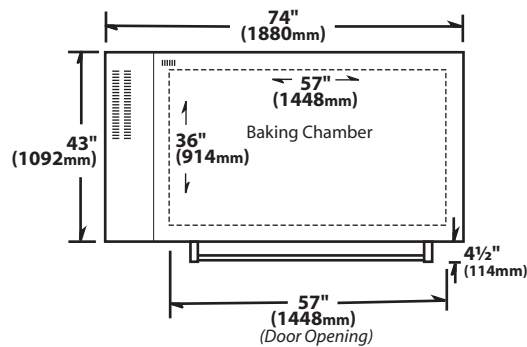
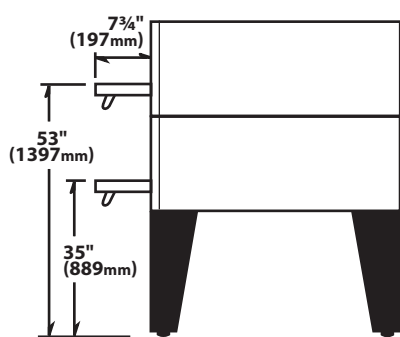
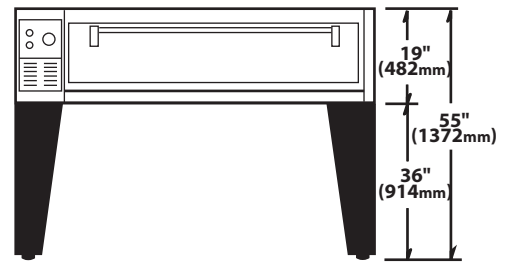
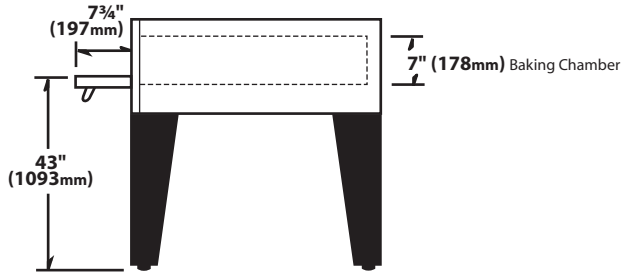
Power Supply: All Models				
WATTS	8,000	8,000	8,000	8,000
VOLTAGE	208	220-240	208	220-240
PHASE	3	3	1	1
AMPS	27	24	39	35



EDO Electric Series Pizza Ovens Specifications

Model No. EDO57

Phone: (631) 226-6688
FAX: (631) 226-6890



	EDO 57 Single	EDO 57 Double	EDO 57 Triple
Height	55"	66"	69"
	1397 mm	1676 mm	1757 mm
Depth x Length	43" x 74"	43" x 74"	43" x 74"
	1092 mm x 1880 mm	1092 mm x 1880 mm	1092 mm x 1880 mm
Cooking Surface	36" x 57"	36" x 57" x 2	36" x 57" x 3
	914 mm x 1448 mm	914 mm x 1448 mm	914 mm x 1448 mm
# of Decks	1	2	3
Shipping Weight	760 lbs.	1,500 lbs.	2,250 lbs.

Power Supply: All Models				
WATTS	12,000	12,000	12,000	12,000
VOLTAGE	208	220-240	208	220-240
PHASE	3	3	1	1
AMPS	33	30	58	52