

CamKiosk® Cart

With Umbrella
KVC854U, KVC856U

StoreSafe®

Features & Benefits

- Offers opportunity to capture new or incremental sales in non-traditional locations.
- Double-wall, high-density, polyethylene construction is impact resistant and will not dent, crack, bubble, chip or break. Can be wiped or steam cleaned.
- Polyurethane foam-insulation provides added strength and durability.
- Available in four or six 12" x 20" (32,5 x 53 cm) full pan, 6" (15,2 cm) deep, work top configurations for multiple serving options.
- Two fully insulated storage compartments store hot or cold foods in Gastronorm food pans with covers.
- GN 1/1 Full Size Food Pan capacity per compartment:
 - 12 each, 2 1/2" (6,5 cm) deep
 - 8 each, 4" (10 cm) deep
 - 6 each, 6" (15 cm) deep
 - or 4 each, 8" (20 cm) deep
- Sneeze guard meets food preparation requirements for both height and length.
- Dry storage compartment locks to keep cash drawer and other valuables safe.
- Removable menu board with erasable surface included.
- Display shelf promotes food merchandising for building add-on purchases.
- Molded-in handles on both sides provided comfortable easy transporting.
- Four each 6" (15,2 cm) swivel casters, 2 w/ brakes ensure easy transport across a lobby floor or campus.
- Handsome umbrella and display panel can be personalized. Standard display panel comes with Cruising Café logo unless otherwise specified. Standard canopy is not printed.
- Non-electrical.
- Some assembly required.
- System available in 5 solid colors and 2 combined colors. Two standard canopy colors selected, unless otherwise specified.

Item No. _____

Specifier Identification No. _____

Model No. _____

Quantity _____



KVC854U



4 Well Top

- GN Food Pan configuration for top row left to right includes:
- 2 each 1/2 Long Food Pans
 - 3 each 1/3 Food Pans with two DIV12 Divider Bars
- GN Food Pan configuration for bottom row left to right includes:
- 1 each 1/1 Food Pan
 - 2 each 1/4 and one 1/2 Food Pans with one DIV12 Divider Bar



6 Well Top

- GN Food Pan configuration for top row left to right includes:
- 3 each 1/3 Food Pans with two DIV12 Divider Bars
 - 1 each 1/1 Food Pan
 - 2 each 1/4 and one 1/2 Food Pans with one DIV12 Divider Bar
- GN Food Pan configuration for bottom row left to right includes:
- 2 each 1/2 Long Food Pans
 - 2 each 1/2 Food Pans with one DIV12 Divider Bar
 - 1 each optional Cutting Board

CamKiosk® Cart

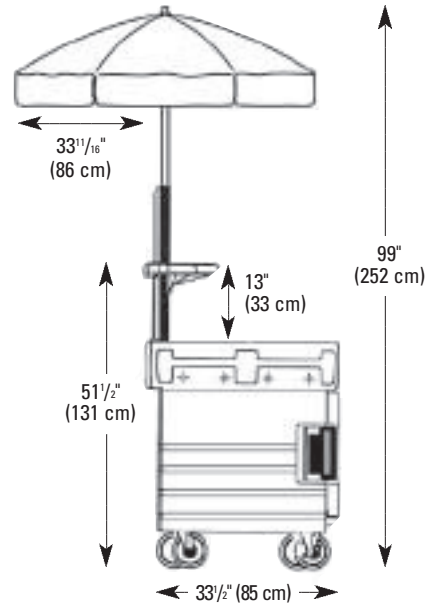
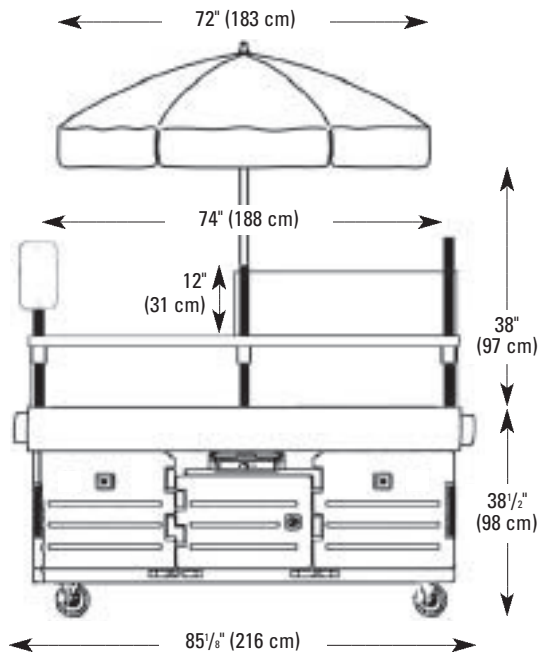
With Umbrella
KVC854U, KVC856U

Item No. _____

Specifier Identification No. _____

Model No. _____

Quantity _____



Specifications

Dimension Tolerance: +/- 1/4" (0,64 cm)

Code	Description	Overall Dimension L x W x H (With Umbrella)	Shipping weight lbs./cube (Kg/m ³)
Domestic with Umbrella			
KVC854U	Cart w/4 pan wells	85 1/8" x 60 1/2" x 99" (216 x 171 x 252 cm)	386/76.6 (175,2/2,14)
KVC856U	Cart w/6 pan wells	85 1/8" x 60 1/2" x 99" (216 x 171 x 252 cm)	386/76.6 (175,2/2,14)

Optional Accessories

- Well Cover WCR1220 Camchiller® CP1220
Cutting Board CB1220 ThermoBarrier® 1600DIV

Architect Specs

The portable foodservice cart shall be a CamKiosk, manufactured by Cambro Mfg. Co., Huntington Beach, CA 92648 U.S.A. It shall be a Cambro Model... It shall be made of polyethylene and foam-injected polyurethane. It shall have molded-in handles, 4 each 6" (15,2 cm) swivel casters, 2 w/ brakes on a molded-in chassis. It shall have four or six GN 1/1 Full Size Food Pan, 6" (15,2 cm) deep work top configurations and 2 insulated storage compartments to accommodate Gastronorm pans with covers. It shall have a sneeze guard with a display shelf, a locking dry storage compartment and a removable menu board. It shall come with or without a umbrella and will have a standard customized display panel with Cruising Café logo. The CamKiosk shall be available in 7 colors.

Standard Colors

- CamKiosk:**
- Granite Gray (191)
 - Granite Green (192)
 - Granite Red (193)
 - Granite Sand (194)
 - Navy Blue (186)
 - Hot Red (158)
 - Kentucky Green (519)
 - Granite Green Base with Black Top (425)
 - Black Base with Granite Gray Top & Door (426)
- Umbrella:**
- Green and Beige
- Well Cover:**
- Black (110)
 - Red (158)
 - Blue (187)
 - Green (519)
 - Granite Gray (191)
 - Granite Green (192)