

Dear Customer,

Thank you and congratulations on your purchase on this piece of professional refrigeration equipment. Please read this manual before using and be sure to follow all the instructions completely so that it may provide you with years of reliable service and success in your business.

Leader Refrigeration Mfg. Inc.

Table of Contents

1.	Instructions to Owner and Store Personnel
2.....	Installation
3.....	Trouble Shooting
4.....	Maintenance, Care & Cleaning
5.....	Wiring Schematics
6.....	Warranty

Instructions to Owner and Store Personnel

Your refrigerator has been designed to provide maximum display and / or storage flexibility with minimal installation time. On self-contained models, the only external connection necessary is the power-supply cord. Here are some procedures that you, the user, can do to ensure maximum performance.

IMPORTANT: This refrigerator must be connected to a suitable electrical outlet. If you are unsure of the suitability of the outlet, contact a licensed electrical contractor.

- Installation of this equipment should be performed by professionals.
- When the refrigerator is initially started, or any time refrigeration is resumed after a long shutdown period, allow sufficient time for the refrigerator to cool down to operation temperatures.
- This refrigerator is designed to operate in an environment of no more than 75 F (24 C), 55% (maximum) relative humidity.
- This refrigerator is intended to be used for the display of pre-packaged food/beverage product without direct contact with the refrigerator or refrigerator shelving. If refrigerator is Bain Marie type, then unpackaged food may be placed directly into stainless steel hotel pans and then placed into the refrigerator.
- Do not load a refrigerator until the store's ambient temperature is correct.
- All food/beverage products should be at proper temperature before being loaded into the refrigerator.
- Re-stock refrigerator as rapidly as possible, exposing the smallest possible quantities of product to store temperatures for the shortest possible time.
- Rotate your stock to be sure that the older stock does not accumulate. The "first-in, first-out" rotation practice will keep the product in good salable condition.
- Observe the load line limitations carefully and do not overstock the refrigerator. Overstocking will obstruct circulation and interfere with the proper functioning of the refrigeration system resulting in unsatisfactory product temperatures and possibly product spoilage.
- Keep the refrigerator clean and be sure to use it in accordance with your local health codes. Make sure you adhere to the instructions outlined in the following cleaning section.
- Check that the discharge grille from your air-conditioner or store heater does not blow directly on or near the refrigerator as this will disturb its properly engineered air circulation and could result in unsatisfactory operation.

Do not block airflow to the condenser grille of the refrigerator. To get maximum performance on self-contained models, the condenser coil and condensate drip pan must be cleaned periodically as described in the following pages.

Installation

Before installation please follow these tips,

1. For Good Air Circulation

- Remove all dust and dirt from the area.
- Leader highly recommends that you place this unit 2 inches or more away from the wall.

2. Keep Away from Heat

- DO NOT place unit near any heat equipment, especially away from the oven and stove.
- High temperatures will make cooling efficiency lower.

3. Leveling

- When installing, make sure the wheels are locked for safety.
- It is important to level the refrigerator from front to back and side to side to ensure proper operation and line-up.

4. Indoor usage

- This equipment is made for indoor usage only.
- Install on a sturdy ground.

INTENDED APPLICATION

The refrigerator is designed for use in controlled ambient conditions (see refrigerator label for specific ambient temperature) and it is intended to be used for the display of pre-packaged food/beverage product not in direct contact with the refrigerator or refrigerator shelving (with the exception of Bain Marie units which are intended to be used with stainless steel hotel pans for un-packaged foods).

Trouble Shooting

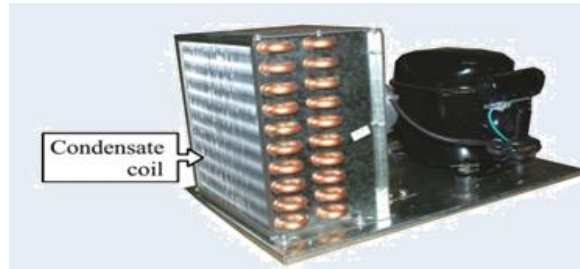
Before calling for service, please refer to the following chart.

Problem	Causes	Solution
-Refrigerator/Freezer's products are freezing.	The setting temperature is too low to keep products freshness.	Adjust temperature dial to a higher setting.
-Refrigerator/Freezer's products are warm.	<ul style="list-style-type: none"> - The setting temperature is too high to keep products freshness. - Make sure the unit is not over stocked. - Check if any products are blocking the evaporator air circulation. 	Adjust temperature dial to a lower setting. Clean condenser coil. Check if there are any blockages on the grille(s).
-Refrigerator/Freezer is making loud noises.	<ul style="list-style-type: none"> -Trays may not be in proper position. -Floor isn't steady or leveled. -Unit might be too close to the wall. -The coil is dirty. - Something may be blocking the Fan motor. 	Check our installation page and see if all procedures are followed. Re-adjust if needed.
-Unit will not start.	The power supply cord has been accidently disconnected or out of power.	Reset Circuit Breaker Make sure the power supply has been tightly connected. Power supply should only be plugged into one circuit. Sharing will cause insufficient power.
-There are drips inside the unit.	The door is often opened or left opened for too long which causes humidity into the unit and forms moisture.	Keep door closed to prevent sweating.

After following these procedures,
Read onto the next page for more efficient help.

Maintenance, Care & Cleaning

Cleaning the condenser coil every month



Required Tools:

- Screwdriver
- Brush
- Towel
- Vacuum cleaner

Step 1

Disconnect power to unit

Step 2

Remove the grid cover by checking out screws

Step 3

Clean off accumulated dirt from the condenser coil carefully with a brush, and fan blades with towel & soap.

Step 4

After brushing condenser coil, vacuum dirt from condenser coil

Step 5

Reinstall grid cover assembly onto unit, tighten all screws. Connect unit to power and check to see if compressor is running.

-Use warm and soapy water to clean the door gasket frequently and rinse then dry.

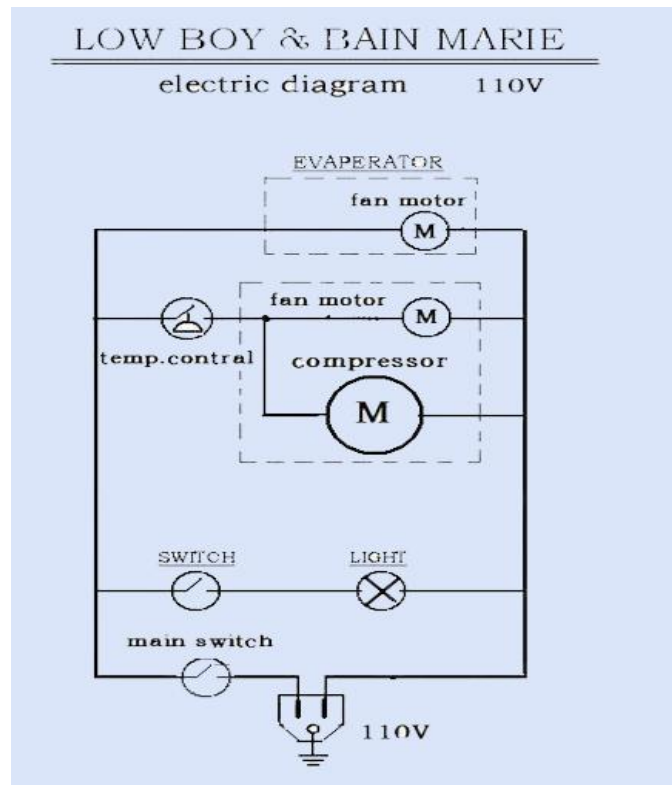
-Wait 5 minutes before restarting the refrigerator.

-Make sure nothing is blocking the air ventilation.

If the unit is still not working properly, call for service (718) 399-2866

Wiring Schematics

Electrical Wiring Diagram

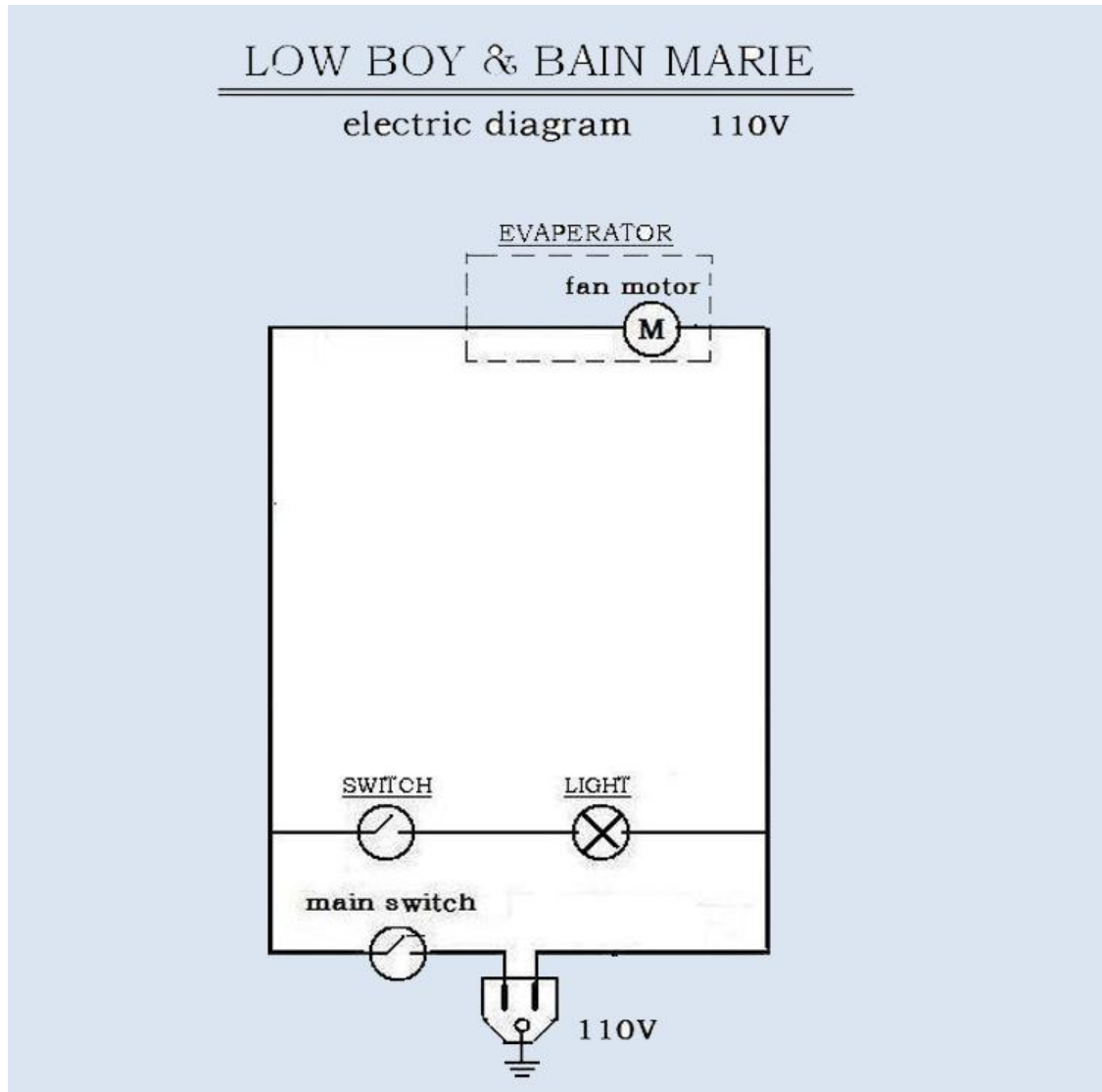


NOTE:

This is a general wiring diagram intended for reference. Some of the components shown may or may not be provided and quantities of each component will vary depending on model designation.

Wiring Schematics

Remote Models



NOTE:

This is a general wiring diagram intended for reference. Some of the components shown may or may not be provided and quantities of each component will vary depending on model designation.

Warranty

Leader Offers One Year labor Warranty in New York City's Five Boroughs or 30 miles radius from Leader Company*

One Year Warranty

Leader warrants to the original purchaser of every new Leader refrigerated Standard Series and Premiere Series unit, the cabinet and all parts thereof, to be free from defects in material workmanship, under normal and proper use and maintenance service as specified by Leader and upon proper installation and start-up in accordance with the instruction packet supplied with each Leader Standard Series and Premiere Series unit. Leader's obligation under this warranty is limited to a period of one (1) year from the date of original installation and /or 15 months from Leader Refrigeration Manufacturing, Inc. You must send in a copy of your receipt and fill out the warranty form and mail it in within 15 days of purchase.

Warranty Claim

All claims for labor or parts must be made directly through Leader; proof of purchase must be faxed in or sent with claim.

All claims should include: model number and serial number of the unit, and all pertinent information supporting the existence of the alleged defect.

If compressor is replaced under warranty, Leader will request the compressor be returned. Compressor must be returned with all components and information related to the unit. All costs of shipping items to Leader and of shipping replacement items to the customer shall be the responsibility of the customer.

Limitations and Conditions of Warranties

This warranty does not include transportation charges to and from the factory, the cost of labor for initial installation, start-up, correction of improper installation, misapplications, repairs caused by abuse and negligence, modifications, fire, flood, acts of God, normal adjustments, and Freon recovery. Does not apply to any display glass or other glass or marble breakage or refrigeration and is not responsible for the repair or replacement of failed or damaged components resulting from electrical power failure, the use of extension cords, low voltage, improper electrical connections or voltage drops to the unit.

Leader is not responsible for economic loss, profit loss or special indirect, or consequential damage, including without limitation of refrigeration failure. Improper operation due to low voltage conditions, inadequate wiring, and accidents damage are not manufacturing defects and are strictly the responsibility of the purchaser. This warranty does not apply to remote condensers.

Condenser coils must be cleaned at regular intervals, failure to do so can cause compressor malfunction, and will void warranty. Units are designed to operate in an environment of 75F; Leader shall not be liable for any default or delay in performance caused by any contingency beyond its control.

*Warranties only apply to U. S. Continental. And Labor Warranties only apply to New York City Five Boroughs or 30 miles radius from Leader Company.