

**LUBCR Series, Lift Up High Volume Curved Glass
Refrigerated Bakery Display Case**

**LUBCD Series, Lift Up High Volume Curved Glass
Dry Bakery Display Case**



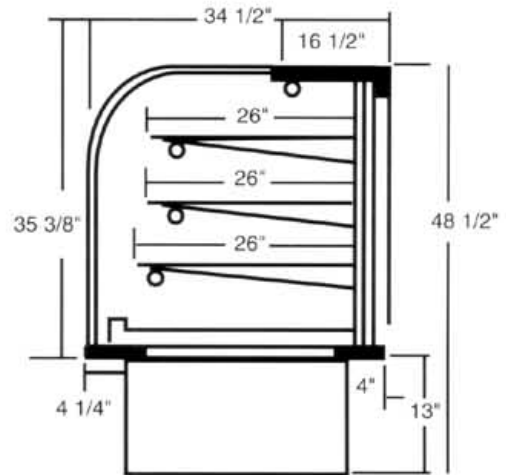
model shown LUBCR-77



7453 Northwest 32nd Avenue, Miami, Florida 33147 • (305) 691-0500
Fax (305) 691-1212
www.marcrefrigeration.com



LUBC Series, Lift Up Curved Glass Bakery Display Cases for High Volume Refrigerated and Non-Refrigerated



STANDARD FEATURES

- Lift up front glass
- Curved insulated safety glass (non insulated on LUBCD Models)
- Full length fluorescent lighting installed at top of case and under each shelf
- Three rows of heavy duty white coated wire shelves able to accommodate standard 18" x 26" sheet pans
- Electrical cord and plug
- Air cooled low velocity refrigeration system mounted on easy removable slide in and out base on LUBCR Models
- Mirror interior ends
- Mirror interior sliding doors, white on exterior doors
- Mirror stainless top
- Mirror stainless steel front grill on LUBCR Models
- Heavy duty aluminum mill finish main deck on all Models
- Condensate evaporator eliminates need for drain on Refrigerated Models

model	length	height	depth	row of shelves	pan capacity 18" x 26"	amps	voltage	H.P.	est. weight
LUBCR-48	49 1/2"	48 1/2"	34 1/2"	3	8 full 4 half	12 amps	120/60/1	1/3	665 lbs
LUBCD-48	49 1/2"	48 1/2"	34 1/2"	3	8 full 4 half	3 amps	120/60/1	—	470 lbs
LUBCR-59	60 1/2"	48 1/2"	34 1/2"	3	12	16 amps	120/60/1	1/2	780 lbs
LUBCD-59	60 1/2"	48 1/2"	34 1/2"	3	12	3 amps	120/60/1	—	680 lbs
LUBCR-77	78 1/2"	48 1/2"	34 1/2"	3	16	16 amps	120/60/1	1/2	970 lbs
LUBCD-77	78 1/2"	48 1/2"	34 1/2"	3	16	3 amps	120/60/1	—	840 lbs

NOTE: Designed for use in locations with air conditioning, where temperature and relative humidity DO NOT exceed 75°F and 55% R.H. (Excessive condensation & loss of temperature may occur).

We reserve the right to change specifications and or colors of interior and or exterior parts at our own discretion without notice.



7453 Northwest 32nd Avenue, Miami, Florida 33147 • (305) 691-0500
 Fax (305) 691-1212
www.marcrefrigeration.com