

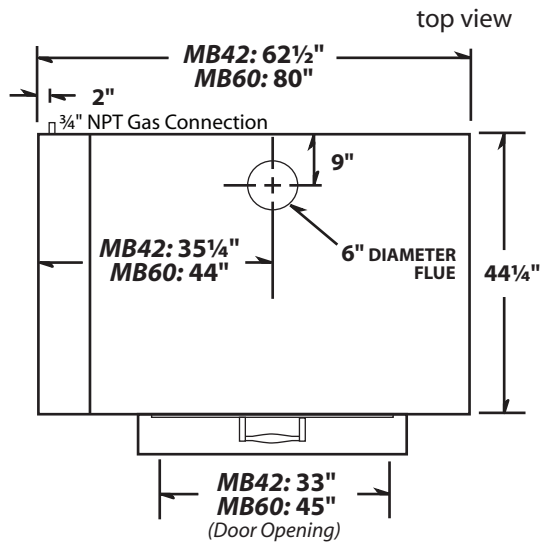
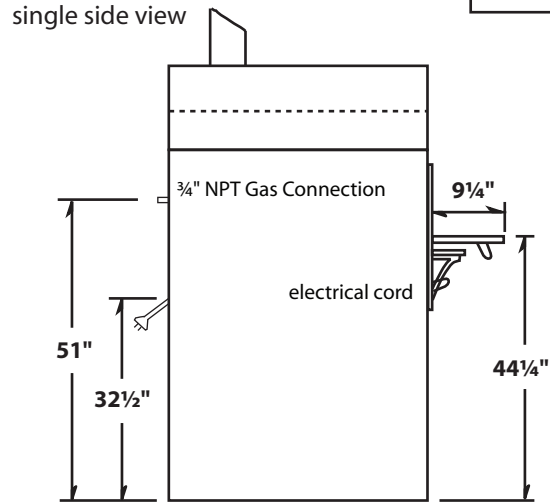
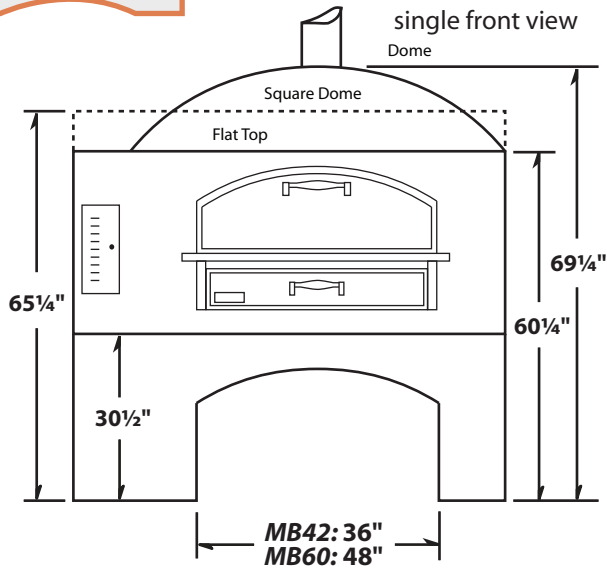


MB Series Pizza Ovens Specifications

Model No. MB42 & MB60

Phone: (631) 226-6688
FAX: (631) 226-6890

Dotted Lines Indicate
Flat Dome Model Dimensions



specifications

| | MB 42 Single | MB 42 Stacked | MB 60 Single | MB 60 Stacked |
|-----------------|---------------------------|-----------------------------------|-----------------------------|-------------------------------------|
| Height | Dome: 69 1/4" | Dome: 80 1/4" | Dome: 69 1/4" | Dome: 80 1/4" |
| | Square: 65 1/4" | Square: 76 1/4" | Square: 65 1/4" | Square: 76 1/4" |
| | Flat: 60 1/4" | Flat: 71 1/4" | Flat: 60 1/4" | Flat: 71 1/4" |
| Depth x Length | 44 1/4" x 62 1/2" | 44 1/4" x 62 1/2" | 44 1/4" x 80" | 44 1/4" x 80" |
| Cooking Surface | 36" x 42" | 36" x 42" x 2 | 36" x 60" | 36" x 60" x 2 |
| | BTUs | | | |
| Electrical | LP: 90,000 NAT: 95,000 | LP: 90,000 x 2 NAT: 95,000 x 2 | LP: 120,000 NAT: 130,000 | LP: 120,000 x 2 NAT: 130,000 x 2 |
| | 120 VAC | 120 VAC | 120 VAC | 120 VAC |
| Shipping Weight | 1,500 lbs. | 2,700 lbs. | 1,900 lbs. | 3,500 lbs. |

