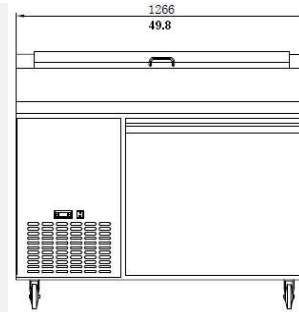




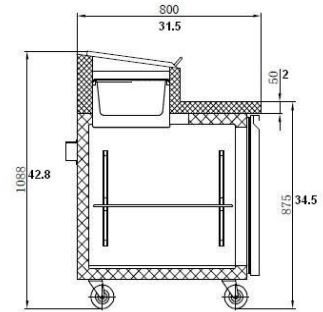
* CONFORMS TO UL STD. 471
 * CERTIFIED TO CSA STD. C22.2 NO.120
 * CONFORMS TO NSF/ANSI STD.7

PICL1-44

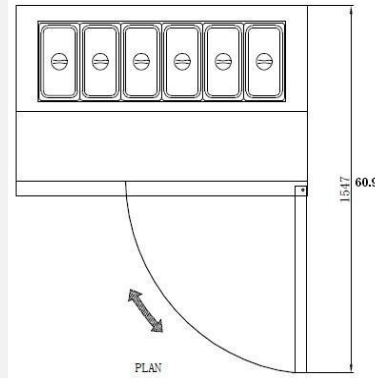
- **Stainless steel interior and exterior** retains attractive finish longer. Matching aluminium finished back
- **Rounded corner** design inside of the cabinet makes it easy to clean the inside storage room
- **Standard door features:** Positive seal self-closing door(s) with 90° stay open feature. Magnetic door gasket(s) removable without tools for easy of cleaning
- **Refrigeration system** holds 33°F to 41°F (0.5°C to 5°C) for the best in food preservation.
- **Electronic control system:** Adjustable temperature set point and defrost frequency
Error codes to diagnose service issues
- **Shelf:** Adjustable, heavy duty PVC coated shelves.
- **Standard heavy-duty casters** make it easy to move and clean underneath
- **Condensing unit** access in front of cabinet, slides out for easy maintenance
- **Insulated lid** on prep units helps maintain food freshness.



ELEVATION



SECTION VIEW



PLAN

Specifications subject to change without notice.

Chart dimensions rounded up to the nearest 1/8" (millimeters rounded up to next whole number).

Model	Doors	Shelves	Cabinet Dimensions (inches) (mm)			CAP. CU.FT LITER	HP	Voltage	Amps	NEMA Config.
			L	D	H					
PICL1-44	1	1	44 1117	31.5 800	42.8 1088	13.8 391	1/4+	115/60/1	6	5-15P

PAN LAYOUTS 6 (pcs) 1/3 pans

