



Follow the Leader™

Floral • Deli • Seafood • Meat • Bakery • Produce • Front End

INTRODUCING
THE UNISOURCE HEAVY DUTY
ROUND-A-BOUT II™
36 PART SEMI AUTOMATIC
BUN DIVIDER/ROUNDER

Features:

- Exclusive - Mechanical rounding operation
- Dough capacity 2.5 lbs. to 8.8 lbs.
Finished wt. 1.1 oz. to 3.9 oz.
- Heavy Duty Cast iron base w/casters (easy to store)
- S/S cutting knives
- Aluminum alloy/teflon coated dividing disc
- Quiet belt driven operation
- Removable pressing handle
- 2800 pieces per hour production capability
- Adjustable weight bar
- Easy to clean dividing disc
- Includes 3 sanitary moulding plates
- Power cord (no plug)
- One year parts/labor warranty
- 24/7 nationwide support

Accessories:

- Additional moulding plates

Options:

- ABDR-14 (14 part 4.5 oz. to 8.75 oz.)
- ABDR-30/3 (30 part 1 oz. to 3.5 oz.)
- ABDR-30/4 (30 part 1.4 oz. to 4.5 oz.)
- ABDR-52 (52 part .7 oz. to 1 oz.)

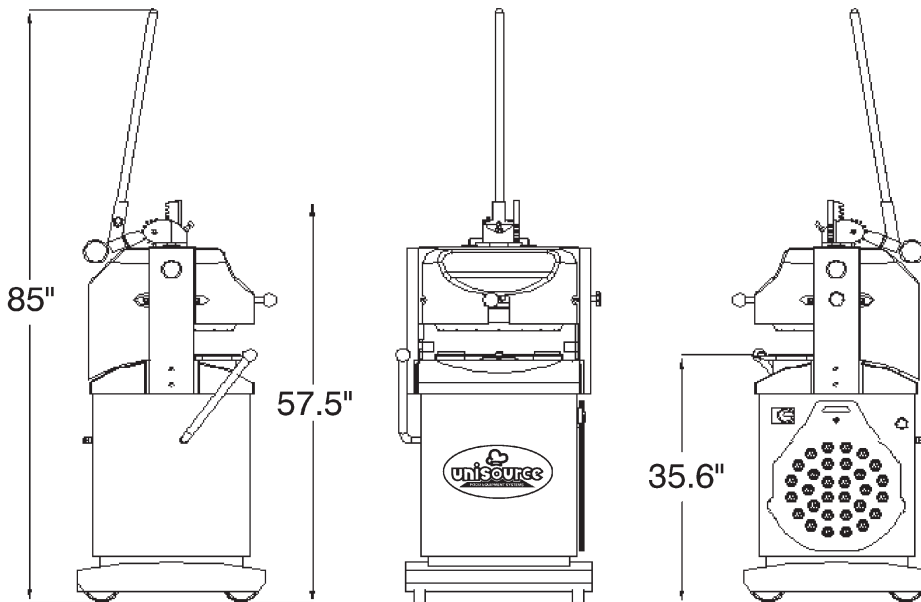


ROUND-A-BOUT II™
SEMI-AUTOMATIC DIVIDER/ROUNDER
Heavy Duty Cast Iron Base Built to Last with
Electric-Mechanical Rounding Operation
Model UNI-BDRS-36L



Follow the Leader™

INTRODUCING
THE UNISOURCE HEAVY DUTY
ROUND-A-BOUT II™
36 PART SEMI AUTOMATIC BUN DIVIDER/ROUNDER



Technical Data

Model	UNI-BDRS-36L
Operation	Semi-Automatic
Minimum Dough Capacity	2.5 lbs
Maximum Dough Capacity	8.8 lbs.
Final Product Range (wt.)	1.1 oz. to 3.9 oz.
Maximum Production Output	2800 pieces per hour
Electrical	240/60/3 @ 3.2 amps 1.3 kw

Dimensions

Overall Dimensions (w/o handle)	24.5" W x 26" D x 57.5" H
Overall Dimensions (w/handle)	24.5" W x 26" D x 85" H
Weight	715 lbs.
Shipping Dimensions	29.5" W x 29.5" D x 74.4" H
Shipping Weight	825 lbs

Phone: (888) 443-8782 • Fax: (516) 681-0845 • email: unisource4@aol.com
56 Rockland Drive, Jericho NY 11753