



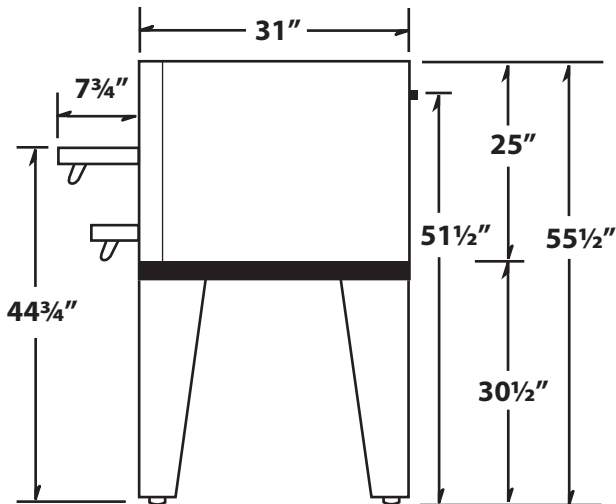
# Slice Oven Specifications

Model No. SD236, SD248, SD260

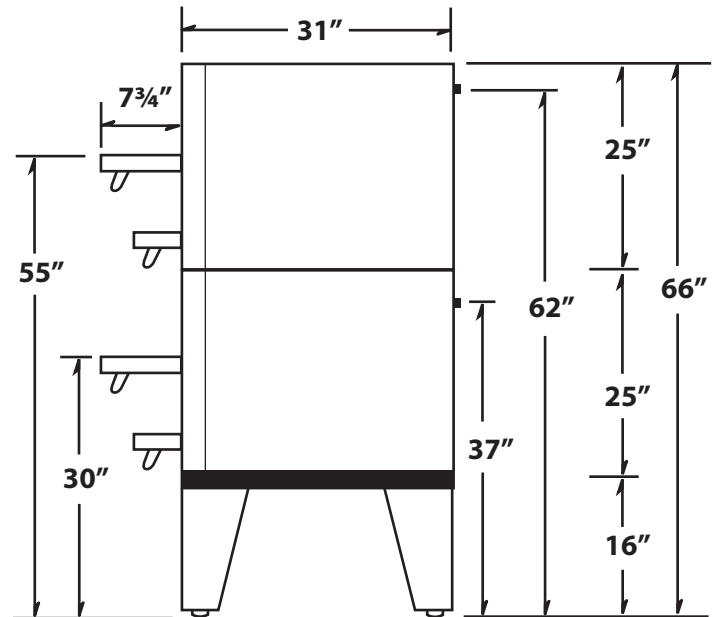
Phone: (631) 226-6688  
FAX: (631) 226-6890



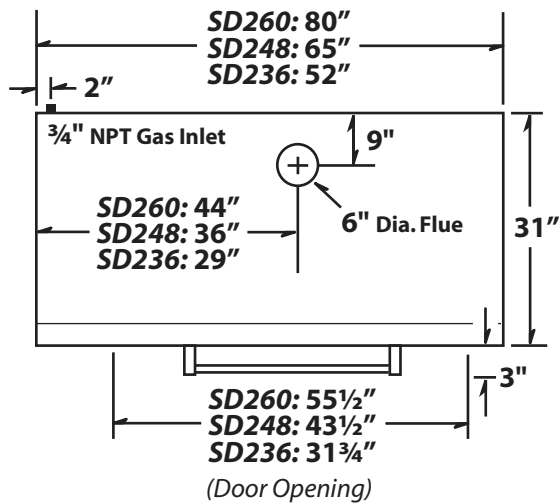
single model side view



stacked model side view



top view



## specifications

|                 | SD 236 Single             | SD 236 Stacked                    | SD 248 Single             | MB 248 Stacked                    | MB 260 Single                     | MB 260 Stacked                    |
|-----------------|---------------------------|-----------------------------------|---------------------------|-----------------------------------|-----------------------------------|-----------------------------------|
| Height          | 55 1/2"                   | 66"                               | 55 1/2"                   | 66"                               | 55 1/2"                           | 66"                               |
| Depth x Length  | 31" x 52"                 | 31" x 52"                         | 31" x 65"                 | 31" x 65"                         | 31" x 80"                         | 31" x 80"                         |
| Cooking Surface | 24" x 36"                 | 24" x 36" x 2                     | 24" x 48"                 | 24" x 48" x 2                     | 24" x 60" x 2                     | 24" x 60" x 2                     |
| BTUs            | LP: 50,000<br>NAT: 50,000 | LP: 50,000 x 2<br>NAT: 50,000 x 2 | LP: 65,000<br>NAT: 65,000 | LP: 65,000 x 2<br>NAT: 65,000 x 2 | LP: 80,000 x 2<br>NAT: 80,000 x 2 | LP: 80,000 x 2<br>NAT: 80,000 x 2 |
| Shipping Weight | 780 lbs.                  | 1,490 lbs.                        | 925 lbs.                  | 1,750 lbs.                        | 1,050 lbs.                        | 1,950 lbs.                        |