



BEVERAGE-AIR

3779 Champion Blvd., Winston-Salem, NC 27105
1-888-845-9800 Fax# 1-336-245-6453
<http://www.Beverage-Air.com>

Item No. _____
Quantity _____

SCHOOL MILK COOLERS SINGLE ACCESS, FORCED-AIR SMF SERIES

MODELS:
SMF34Y
SMF49Y
SMF58

Commercial Refrigeration Equipment General Specification

SMF SERIES—SINGLE ACCESS, FORCED-AIR

Forced-air milk coolers are designed to keep milk cold during prolonged serving periods. A continuous cold-air blanket over the milk containers keeps the milk cold and drinkable (under 38°F) during serving.

CABINET CONSTRUCTION

Standard construction includes the lid, door, adjustable hinges, and door latches made from stainless steel. Balance of exterior is white finish on steel. One-piece, reinforced stainless steel floor for maximum milk crate support. Balance of interior is galvanized steel. Heavy-duty, epoxy coated steel wire floor racks are provided for added floor protection. Floor drain is centrally located for easy cleaning, connecting to drain hose with hose adapter.

Exterior thermometer, cylinder lock, bottom drain, and 4" swivel casters (2 with locks) are provided as standard.

Foamed-in-place CFC and HCFC-free polyurethane insulation enhances the structural strength of the cabinet and helps increase energy efficiency. This insulation helps to prevent liquid penetration that results in foul odors. Overall depth of 31 1/2" allows easy mobility and clear passage through most doorways.

Models are also offered with stainless steel exterior in place of white finish on steel. A stainless steel interior is optionally available. Additional options include wrap around and corner bumpers.

REFRIGERATION

Refrigeration system uses R134a refrigerant, which is CFC and HCFC-free for compliance with environmental safety concerns.

ELECTRICAL

Units wired at factory and ready for connection to a 115/60/1 phase, 15 amp dedicated outlet. 8' long cord and plug set included.

SPECIAL FEATURES

- One-piece, reinforced stainless steel floor for maximum support of milk crates.
- SMF34Y and SMF49Y models have earned the ENERGY STAR®.
- Stainless options available.

SMF34 (white exterior shown)

SMF49 (white exterior shown)

SMF58 (white exterior shown)

ELECTRICAL CONNECTION



115/60/1
NEMA-5-15P

Units pre-wired at factory and include 8' long cord and plug set.



*Note: Not all markings may apply to all model variations.

Available From: _____

Model Specified _____	Store# _____
Location _____	Quantity _____



BEVERAGE-AIR

SMF SERIES School Milk Coolers

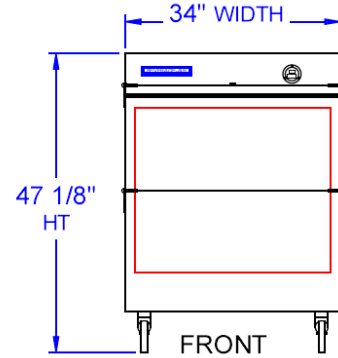
Models: SMF34Y, SMF49Y, SMF58

MODEL	SMF34Y	SMF49Y	SMF58
EXTERNAL DIMENSIONAL DATA			
Length Overall (inches)	34"	49"	58"
Length Overall (mm)	864	1245	1473
Depth Overall (inches)	33 1/2"	33 1/2"	33 1/2"
Depth Overall (mm)	851	851	851
Height Overall— (inches)	47 1/8"	47 1/8"	47 1/8"
Height Overall—(mm)	1197	1197	1197
Number of doors/lids	2	2	2
INTERNAL DIMENSIONAL DATA			
NET Capacity (cubic ft.)	13.35	17.28	24.8
NET Capacity (Liters)	378	489	702
CASE CAPACITIES			
13" x 13" x 11"	8	12	16
19" x 13" x 11"	4	8	10
ELECTRICAL DATA			
Full Load Amperes 115/60/1	4.2	4.2	8.2
REFRIGERATION DATA			
Horsepower	1/5	1/5	1/2
WEIGHT DATA			
Gross Weight (Crated lbs)	343	437	484
Gross Weight (Crated kg)	156	198	220

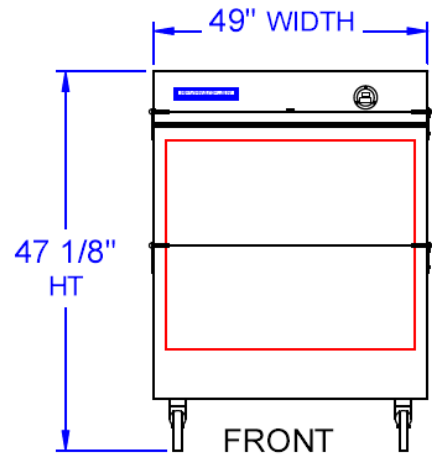


*Note: Not all markings may apply to all model variations.

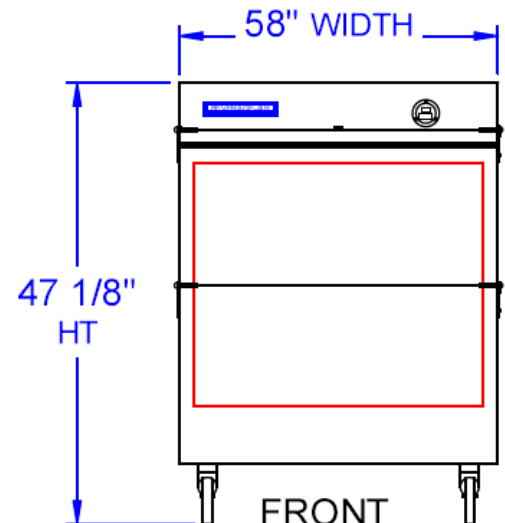
PLAN VIEWS



SMF34Y



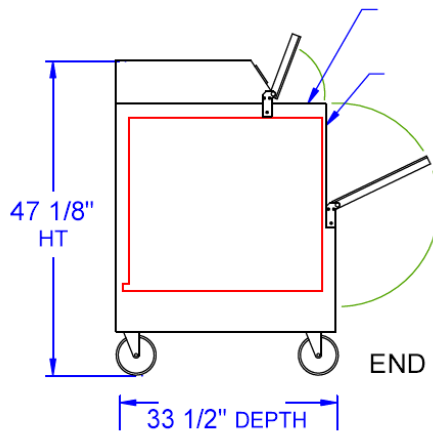
SMF49Y



SMF58

ELECTRICAL CONNECTION

Units pre-wired at factory and include 8' long cord and plug set.



BEVERAGE-AIR® CORPORATION

3779 Champion Blvd. • Winston-Salem, NC 27105 USA • (336) 245-6400 • Fax (336) 245-6453 • (888) 845-9800 • www.beverage-air.com

Specifications are subject to change without prior notice. 08/10