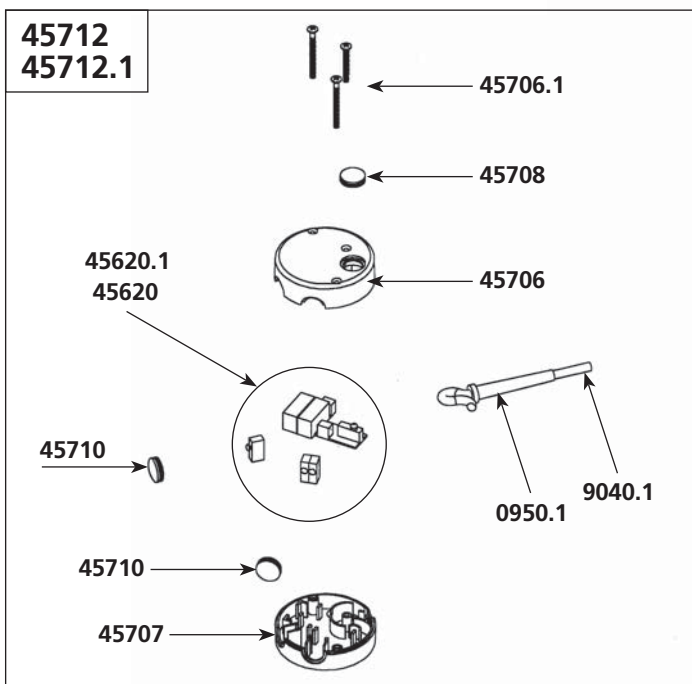
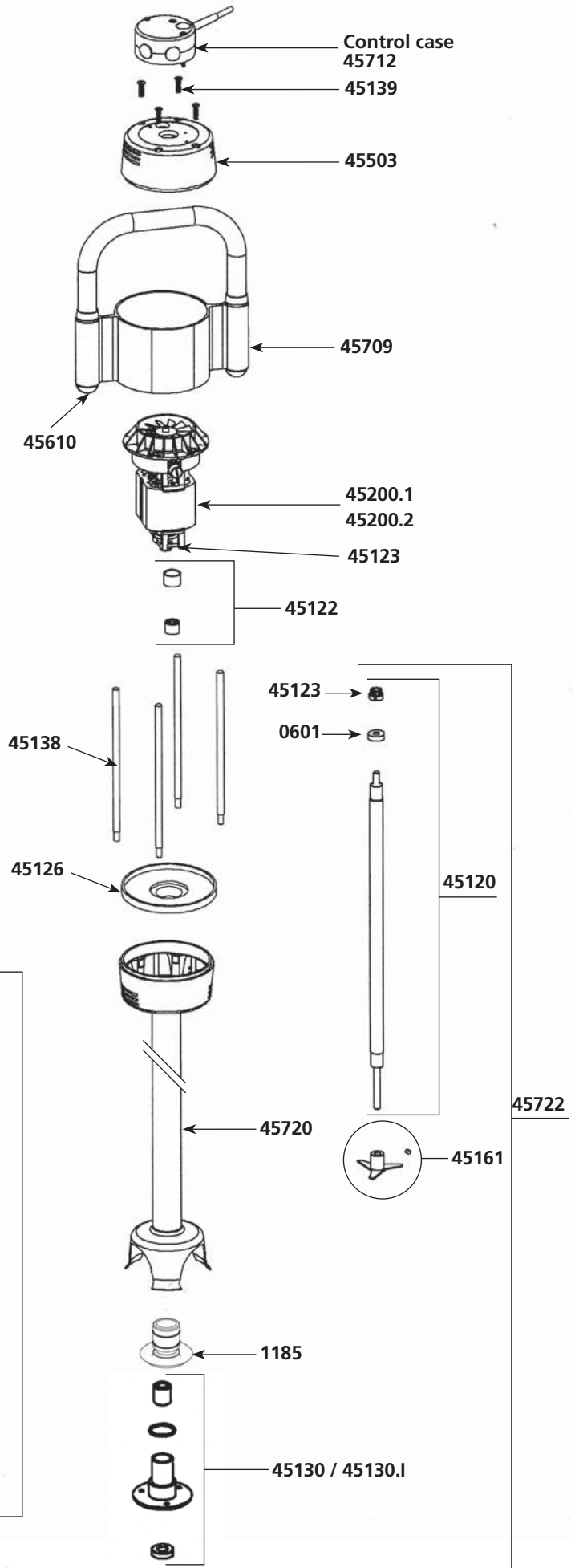
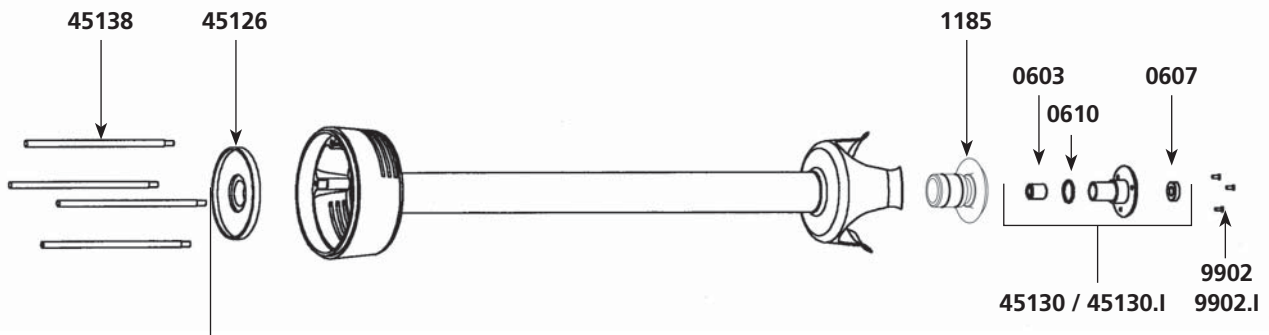
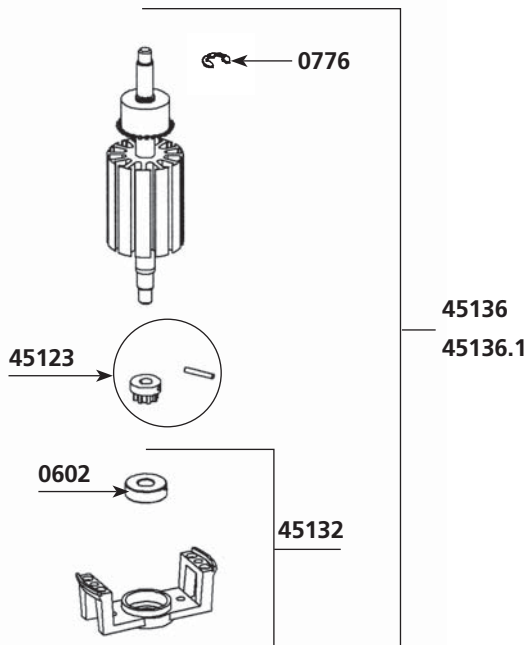
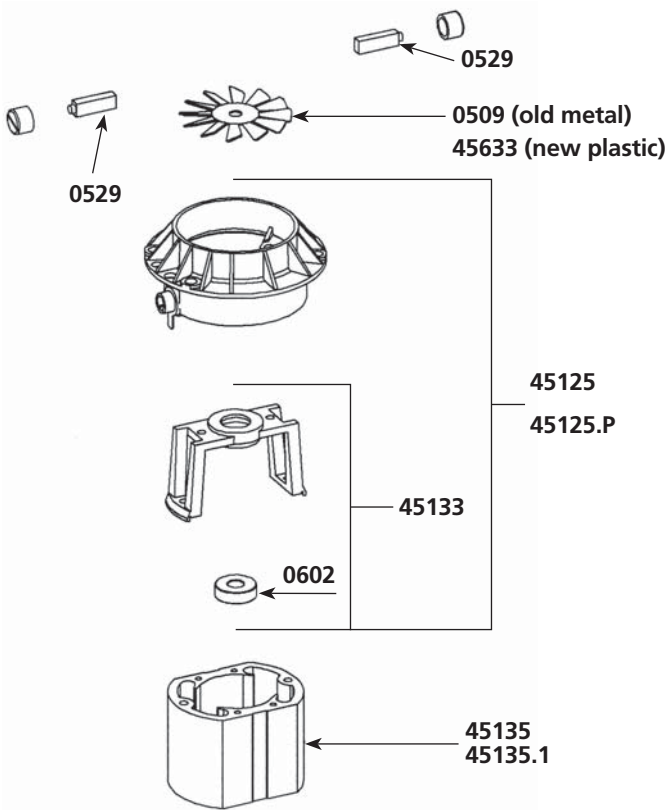


SMX 600 E

Parts list	Code	List \$ Price
Aluminium Fan	0509	10,43
Motor brushes (pair)	0529	17,19
Ball bearing	0601	15,31
Motor ball bearing	0602	17,77
Self-lubricating ring	0603	3,51
Waterproof seal	0607	19,98
O. ring	0610	2,14
Rubber washer	0760	3,41
Clips	0776	1,30
Washer & bolt for fan	0777	1,30
Wall bracket	0862	22,41
Strain relief 230 V	0950	2,68
Strain relief 115 V	0950.1	2,68
ID label 230 V	1007	15,06
ID label 115 V	1009	15,06
Lower bearing assembly support	1185	24,65
Shaft, ball bearing + sprocket	45120	163,07
Coupling sleeves	45122	26,02
Motor & shaft drive sprocket	45123	24,19
Fan housing alu	45125	150,13
Fan housing Plastic	45125.P	150,13
Double isolation part	45126	17,30
Lower ball bearing assembly	45130	38,81
Complete stainless steel lower bearing	45130.1	72,01
Lower motor casing	45132	78,90
Upper motor casing	45133	78,90
Stator 230 V	45135	412,54
Stator 115 V	45135.1	412,54
Rotor 230 V	45136	412,54
Rotor 115 V	45136.1	412,54
Stator screws (2)	45137	2,98



IMPORTANT : Each spare part order must include the type and the number of the product which appears on the identification plate.



Parts list

Code List \$ Price

	Code	List \$	Price
Spacer rods (4)	45138	17,90	
Spacer screws (4)	45139	3,11	
Cutter blade w/screw	45161	44,68	
Motor 115 V	45200.1	641,12	
Motor 230 V	45200.2	654,61	
Squeezing washers (4)	45230	6,61	
Top housing	45503	239,05	
Kit w/ shaft, lower bearing, coupler, cutter	45533	246,58	
Handle cap (2)	45610	6,50	
Circuit board	45620	140,98	
Circuit board	45620.1	140,98	
Plastic Fan	45633	19,20	
Top housing (orange plastic piece)	45706	21,40	
Screws control case set	45706.1	2,25	
Lower housing (orange plastic piece)	45707	19,67	
Handle cap protector (unit)	45708	3,49	
Sleeve & complete handle & label & cap	45709	137,00	
Handle cap protectors (unit)	45710	3,32	
Orange housing w/ screws	45711	38,00	
Complete control casing 230V	45712	224,54	
Complete control casing 115V	45712.1	224,54	
Foot assembly w/ lower bearing	45720	417,62	
Complete foot assembly	45722	626,77	
Power cord 230 V	9011.1	35,26	
Power cord 115 V	9040.1	38,50	
Power cord (Australian)	9066.1	72,69	
Power cord (UK)	9067.1	67,80	
Bearing support screws (3)	9902	1,33	
Stainless steel lower bearing screws (3)	9902.1	1,48	

45720