

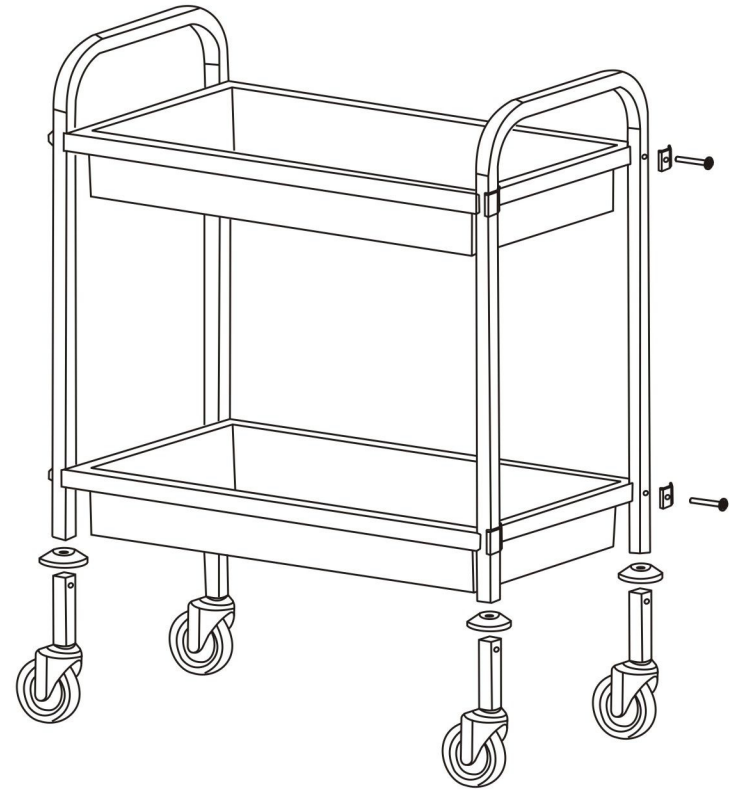
LUXOR | H.WILSON

Assembly Instructions Models SST2L & SST2S

Customer Service Dept
2245 Delany Rd
Waukegan, IL 60087
Ph: 847/244-1800 800/323-4656
Fax:847/244-1818 800/327-1698

components list

| No | Name | 2-ply cart |
|----|---------------------|------------|
| 1 | SS tub shelf | 2pcs |
| 2 | 25X25 U-bar | 2pcs |
| 3 | M8X45 hex screw | 8pcs |
| 4 | Wheel with break | 2pcs |
| 5 | Wheel without break | 2pcs |
| 6 | Caster bumper | 4pcs |
| 7 | Hex key | 1pcs |



Attention: Loosely assemble the cart's 2 tub shelves and 2 U-Bars. After making sure the cart is level on the ground fully tighten the 8 shelf and U-Bar hex screws. When assembling the cart, please confirm the four wheels are level to the ground. Then fastening all screws.