

Bakery Cases

European Style Curved Glass Display Cases



TB-4 / TB-5, TB-4R / TB-5R

- Combination Bakery Case -



TCB-5R

≡ FEATURES / BENEFITS ≡

- **EFFICIENT REFRIGERATION SYSTEM**
Turbo Air Bakery Cases are designed with oversized and balanced (CFC Free R-134A) refrigeration systems. These include efficient evaporators and condensers for faster cooling and greater efficiency.
- **EURO DESIGN**
The Turbo Air Bakery Cases are made from type 304 stainless steel. Elegant contemporary Euro design will enhance any store application.
- **LIFT-UP, PNEUMATIC CYLINDER-ASSISTED CURVED TEMPERED FRONT GLASS**
- **SLOPED REAR DOORS FOR PRODUCT ACCESS**
- **INDEPENDENTLY WIRED SHELF LIGHTS**
- **CANTILEVERED WIRED SHELVES ADJUSTABLE UP AND DOWN**
- **304 STAINLESS STEEL FLOOR AND AIR FLOW GRILLE**
- **TB-4,5 NON REFRIGERATED MODELS AVAILABLE**
- **HIGH-DENSITY POLYURETHANE INSULATION**
The entire cabinet structure is formed-in-place using high density, CFC free polyurethane insulation.
- **FOUR POINT LEVELING SYSTEM**
- **EASY ACCESS CONTROL PANEL**
- **BOTTOM MOUNT COMPRESSOR UNITS**
Turbo Air's bottom mount compressor allows easier access for service and extra storage space above. In addition, the lower area provides a cooler and less greasy operating environment which results in reduced compressor running time.
- **REFRIGERATOR HOLDS 33°F ~ 38°F FOR THE BEST IN FOOD PRESERVATION**

Model	CU./FT.	#of Shelves	HP	AMPS	Crated Weight	L D H
TB-4	14.5	2	-	30	781	47 ³ / ₅ x 37 ² / ₅ x 47 ² / ₇
TB-4R	14.5	2	1/2	115	891	47 ³ / ₅ x 37 ² / ₅ x 47 ² / ₇
TB-5	18.7	2	-	40	858	59 ¹ / ₂ x 37 ² / ₅ x 47 ² / ₇
TB-5R	18.7	2	1/2	115	988	59 ¹ / ₂ x 37 ² / ₅ x 47 ² / ₇
TCB-5R	18.7	4	1/3	90	1,004	59 ² / ₇ x 37 ³ / ₅ x 49 ² / ₅

TB-4 / TB-4R / TB-5 / TB-5R / TCB-5R SPECIFICATIONS

MODEL	TB-4	TB-4R	TB-5	TB-5R	TCB-5R
Compressor (HP)	-	1/2	-	1/2	1/3
Voltage (i) NEMA-5-20P	(i) 115V 60Hz	(i) 115V 60Hz	(i) 115V 60Hz	(i) 115V 60Hz	(i) 115V 60Hz
Amp	3.0 A	11.5 A	4.0 A	11.5 A	9.0 A
Shelves	2	2	2	2	4

*Design and specifications subject to change without notice.

- TB MODELS ARE DESIGNED TO OPERATE IN ENVIRONMENTS WHERE TEMPERATURE & HUMIDITY DO NOT EXCEED 75°F AND 55% RELATIVE HUMIDITY
- SELF-CONTAINED SYSTEM

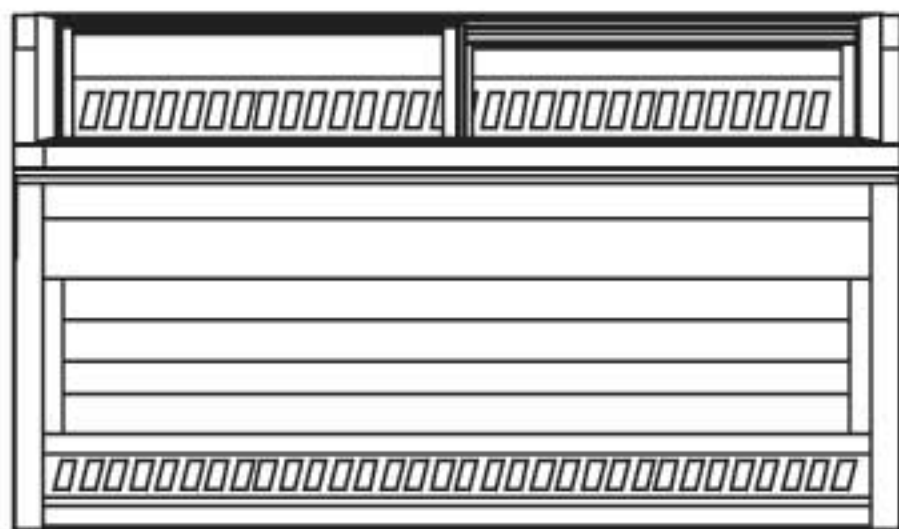
■ **WARRANTY :** 1 Years Labor and Parts Warranty
Additional 4 Years Warranty on Compressor



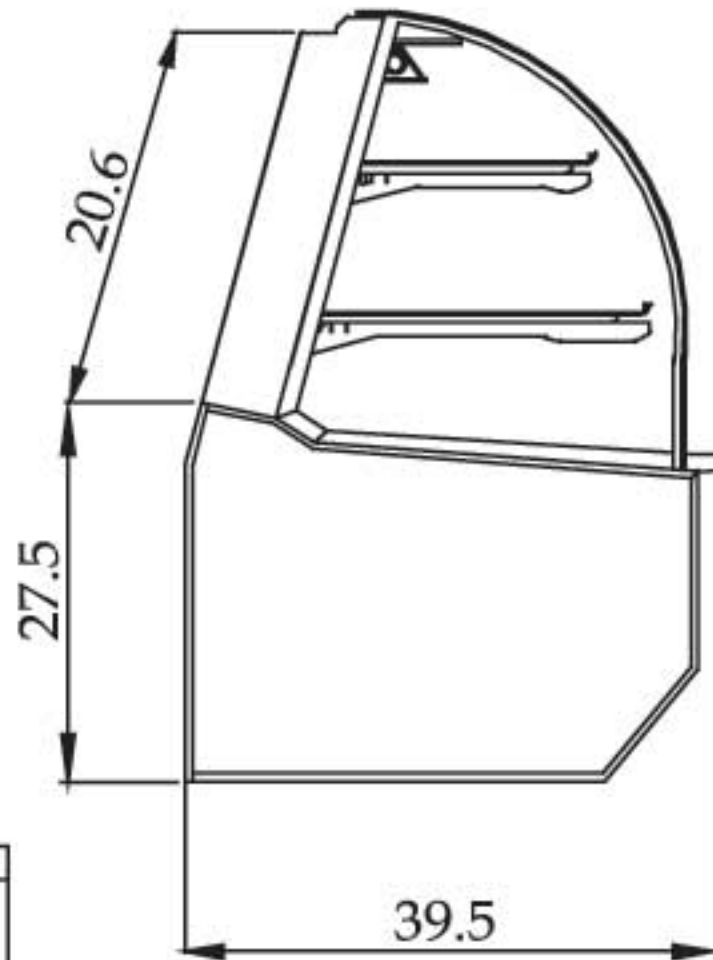
* List of Exterior Color Options



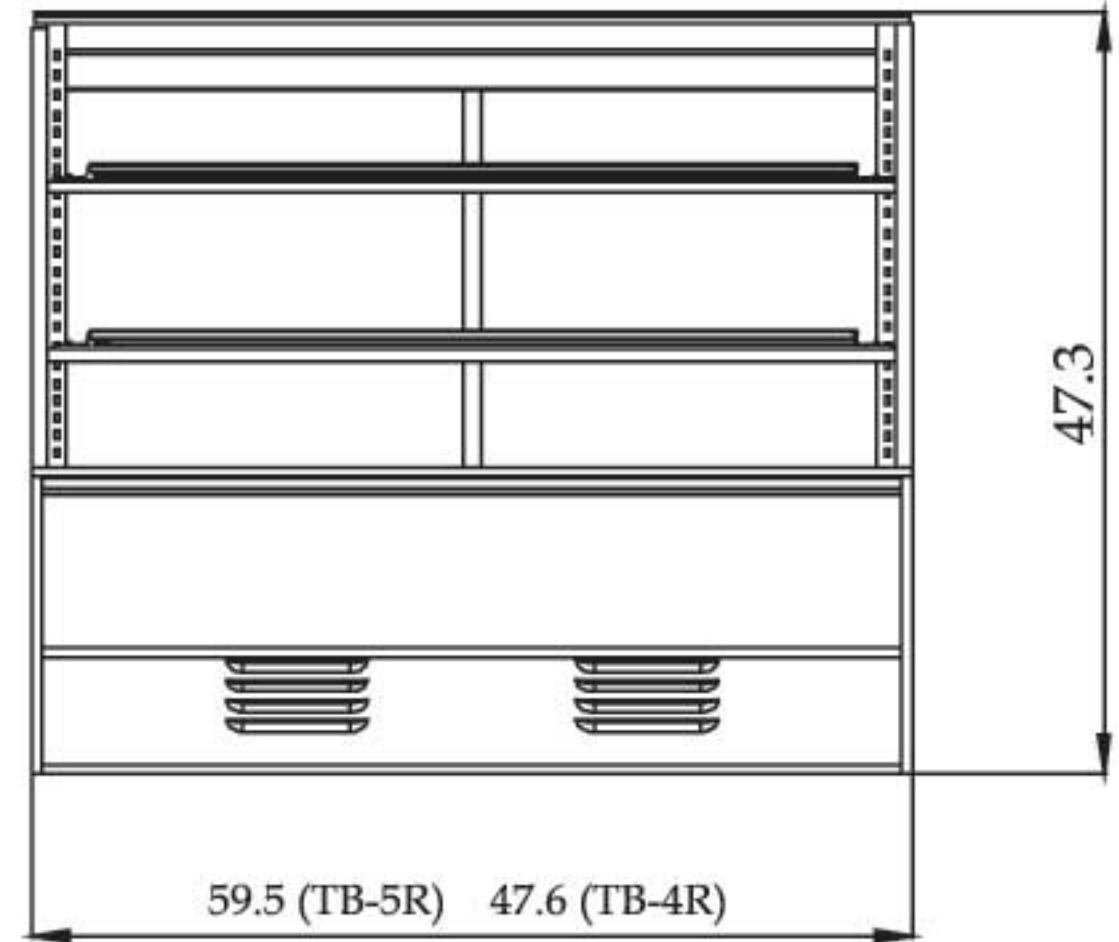
(unit : inch)



TB-4/TB-5, TB-4R/TB-5R PLAN VIEW

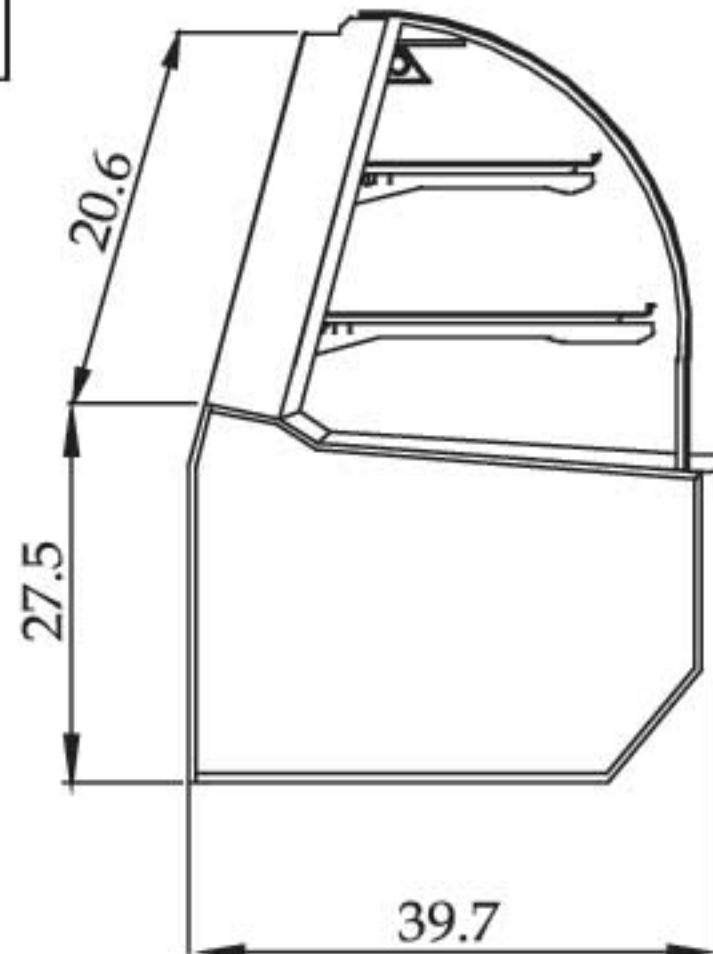


TB-4/TB-5, TB-4R/TB-5R SIDE VIEW

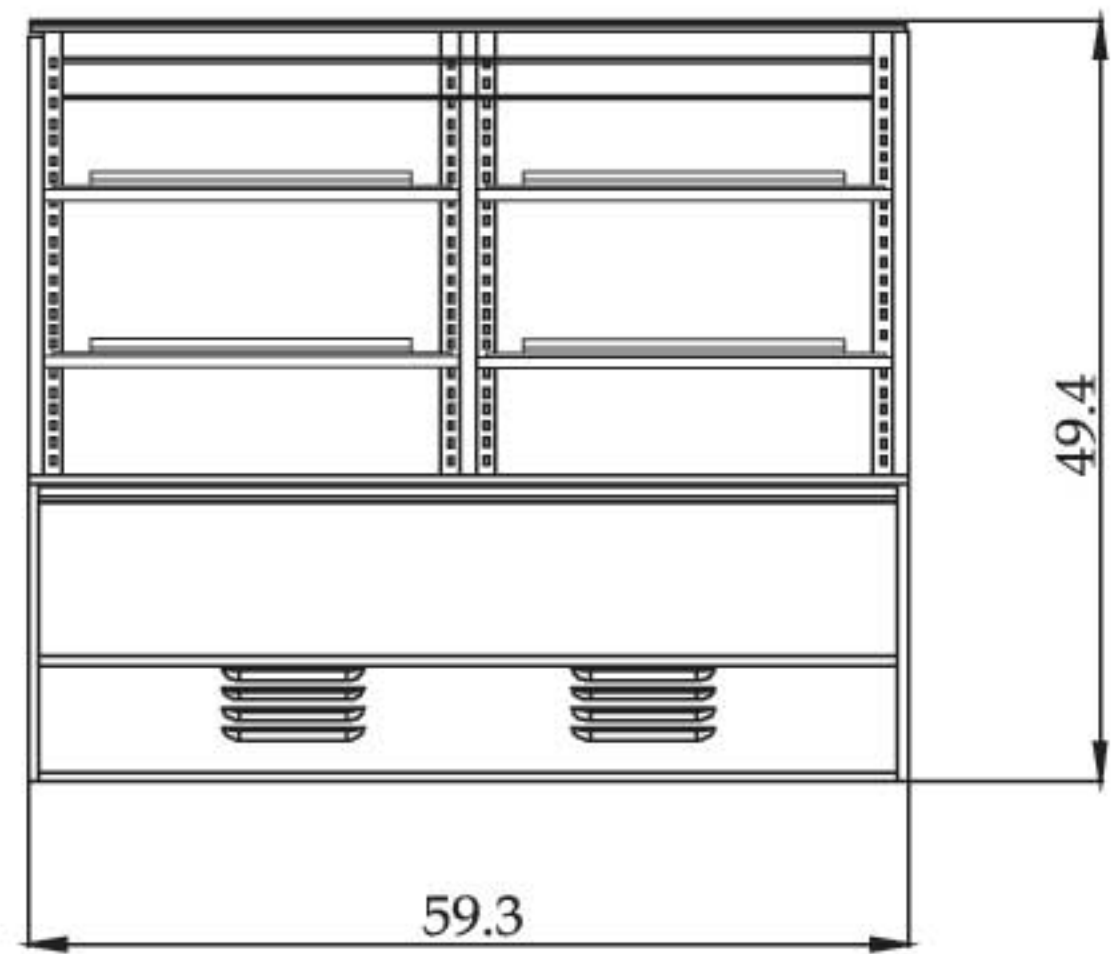


FRONT VIEW

- Combination Bakery Case -



TCB-5R SIDE VIEW



FRONT VIEW