

## Super Deluxe Series

# Undercounter Freezers

Unique Energy Saving Design  
High Quality Stainless Steel Interior and Exterior



**TUF-28SD**



**TUF-48SD**



**TUF-60SD**

\*TUF-60SD is not Energy Star Unit

### ■ NEW NSF STANDARD 7

Complies with the NSF standard 7 requirements and listed under ANSI/NSF-7.

### ■ EXCELLENT COOLING SYSTEM

The powerful forced-air refrigeration system maintains the storage cabinet at a constant temperature. The evaporator fan and a newly designed stainless steel louver allow uniform distribution of cold air throughout the unit to keep food temperature within the new standard 7 requirements.

### ■ CLEAN & DURABLE STAINLESS STEEL INTERIOR AND EXTERIOR

Our stainless steel construction traps the cool air inside and makes the whole unit easy to clean up. Interior wall, top and bottom are standard with 304 type stainless steel. ABS sheet door liners resist water condensation with thermal efficiency.

### ■ STAINLESS STEEL LOUVER

Stainless steel louver ensures even distribution of cold air throughout the interior of the unit. Built to withstand food acids and stains.

\* A certificated member of NMSDC

\* CEC. California Energy Commission Certificated

\* MEA. City of New York Building Department Approved

### ■ DURABLE STAINLESS STEEL WIRE SHELVES

### ■ RECESSED HANDLES

Top and side easy grip handles provide functionality and aesthetic appeal.

### ■ SELF-CONTAINED SYSTEM

### ■ STANDARD BACKGUARD IMPROVES AIRFLOW

### ■ HOLDS - 5°F ~ 10°F

### ■ 5" CASTERS STANDARD

### ■ STAINLESS STEEL BACK SPLASH GUARD AVAILABLE

### ■ INCANDESCENT INTERIOR LIGHTING

### ■ 18 Months Labor and Parts Warranty for Super Deluxe Series



Model	Swing Door	CU./FT.	#of Shelves	HP	AMPS	Weight	L D H
TUF-28SD	1	6.5	1	1/4	53	190	27.8 x 30 x 31
TUF-48SD	2	12	2	1/3	83	260	48.2 x 30 x 31
TUF-60SD	2	16	2	1/2	9	340	60.2 x 30 x 31

\* Height does not include 6" for caster height.

## Super Deluxe Series

# Undercounter Freezers

### CABINET INTERIOR/EXTERIOR SPECIFICATIONS

MODEL	(with caster)	TUF-28SD	TUF-48SD	TUF-60SD
Exterior Dimension(LxDxH)		27.8"x30"x36"	48.2"x30"x36"	60.2"x30"x36"
Cubic Feet		6.5	12	16
Comp.		1/4 HP	1/3 HP	1/2 HP
Shelves		1 ea	2 ea	2 ea
Weight		190lbs	260lbs	340lbs
Power		115V / 60Hz	115V / 60Hz	115V / 60Hz
Amp		5.3 A	8.3 A	9.0 A
Lamp		25 W	25 W	25 W
Cord Length		9.85 Feet	9.85 Feet	9.85 Feet
Plug-In		NEMA 5-15P	NEMA 5-15P	NEMA 5-15p

\*Design and specifications subject to change without notice.



TUF-28SD

TUF-48SD



TUF-60SD

\*TUF-60SD is not Energy Star unit

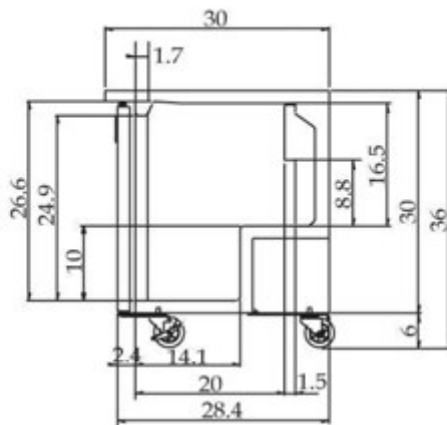


LISTED  
COMMERCIAL  
REFRIGERATOR  
AND/OR FREEZER  
435K

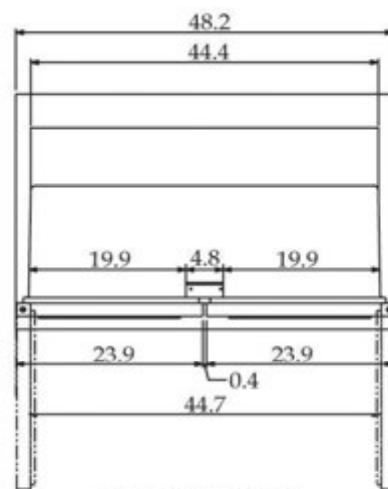


ISO9001

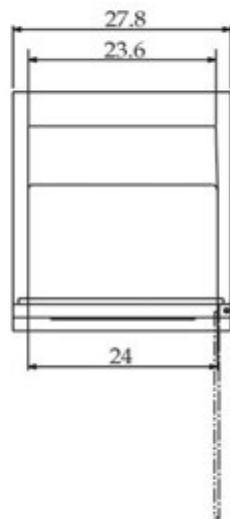
CEC  
MEA



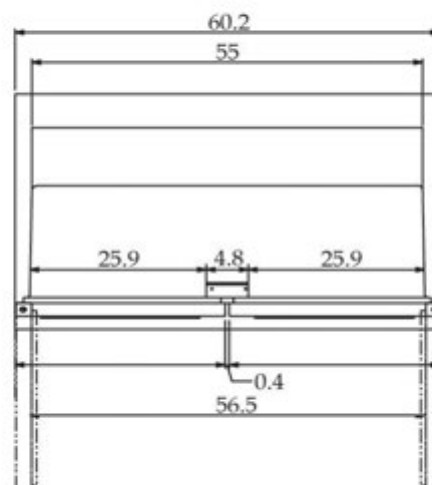
ONE & TWO DOOR SIDE VIEW



TSF-48SD PLAN VIEW



TUF-28SD PLAN VIEW



TUF-60SD PLAN VIEW

(unit : inch)