

Undercounter Refrigerators

Undercounters
Super Deluxe Series

Exceptional Quality 2 Years Parts and Labor Warranty



FEATURES / BENEFITS

EFFICIENT REFRIGERATION SYSTEM

Turbo Air's solid door refrigerators are designed with oversized and balanced (CFC Free R-134A) refrigeration systems. These include efficient evaporators and condensers for faster cooling and greater efficiency.

STAINLESS STEEL CABINET CONSTRUCTION

The Turbo Air Super Deluxe model boasts a stainless steel interior and exterior (except the back). It guarantees the utmost in cleanliness and long product life. The Super Deluxe can add a touch of style to the most refined setting.

HIGH-DENSITY POLYURETHANE INSULATION

The entire cabinet structure and solid doors are formed-in-place using high density, CFC free polyurethane insulation.

STURDY, CLEAN STAINLESS SHELVING

Shelves are the most important part of cleanliness as they come in direct contact with food. After a while, PVC coated wire shelves may peel, rust and lead to unsanitary conditions. Only the Turbo Air Super Deluxe series uniquely provides stainless shelving.

ERGONOMICALLY DESIGNED DOORS

Customers' fatigue fades away with easy grip handles and doors that open effortlessly. These features along with self-closing doors make this the ultimate choice in customer convenience. ABS sheet door liners resist water condensation with thermal efficiency.

MAGNETIC DOOR GASKETS

Magnetic door gaskets are of one piece construction, removable without tools for ease of cleaning and replacement.

HOT GAS CONDENSATE SYSTEM

Through Turbo Air's creative innovation, the condensate system surfaces have been specially treated to resist corrosion. This not only increases efficiency without the risk refrigerant leakage from corrosion, but also prevents the overflow of condensate water.

REFRIGERATOR HOLDS 33°F ~ 38°F FOR THE BEST IN FOOD PRESERVATION

Model	Swing Door	CU./FT.	#of Shelves	HP	AMPS	Crated Weight	L D H
TUR-28SD*	1	7	1	1/3	6.6	163	27 1/2 x 30 x 30
TUR-36SD	2	11	2	1/3	6.6	187	36 3/8 x 30 x 30
TUR-48SD	2	12	2	1/3	6.5	246	48 1/4 x 30 x 30
TUR-60SD	2	16	2	1/3	8.9	282	60 1/4 x 30 x 30
TUR-72SD	3	19	3	1/2	9.9	352	72 5/8 x 30 x 30

* Height does not include 6-1/2" for caster height.

TUR MODELS SPECIFICATIONS

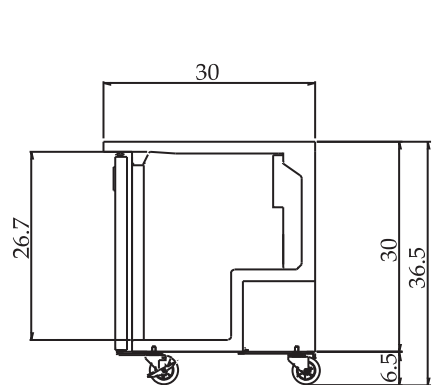
MODEL	TUR-28SD*	TUR-36SD	TUR-48SD	TUR-60SD	TUR-72SD
Exterior Dimension(LxDxH)	27 1/2x30x31	36 3/8x30x30	48 1/4x30x30	60 1/4x30x30	72 5/8x30x30
Cubic Feet	7	11	12	16	19
Compressor (HP)	1/3	1/3	1/3	1/3	1/2
# of Shelves	1ea	2ea	2ea	2ea	3ea
Net Weight	146 lbs	167 lbs	224 lbs	243 lbs	303 lbs
Voltage (Ⓢ) NEMA-5-15P	Ⓢ115/60/1	Ⓢ115/60/1	Ⓢ115/60/1	Ⓢ115/60/1	Ⓢ115/60/1
Amp	6.6A	6.6A	6.5A	8.9A	9.9A
Cord Length (ft.)	9	9	9	9	9
Plug-In	NEMA 5-15P	NEMA 5-15P	NEMA 5-15P	NEMA 5-15P	NEMA 5-15P

- **SELF-CONTAINED SYSTEM**
- **2.5" CASTERS AVAILABLE FOR ALL MODELS (OPTIONAL)**
- **5" SWIVEL CASTERS**
- **LEGS AVAILABLE FOR ALL MODELS (OPTIONAL)**
- **REMOTE CABINETS AND CONDENSING UNITS AVAILABLE FOR ALL MODELS.**

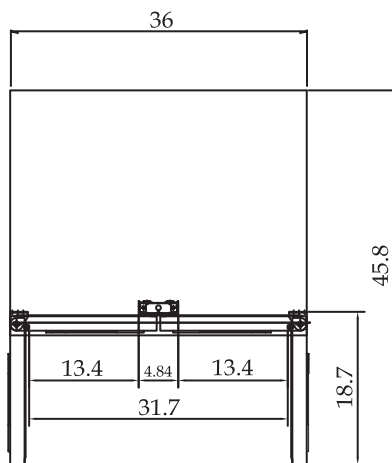
*Design and specifications subject to change without notice.

- **WARRANTY : 2 Years Labor and Parts Warranty
Additional 3 Years Warranty on Compressor**

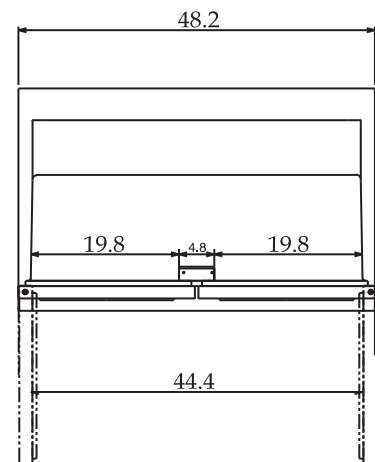
(unit : inch)



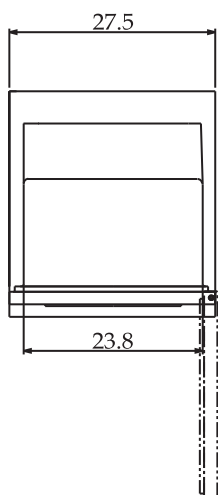
SIDE VIEW



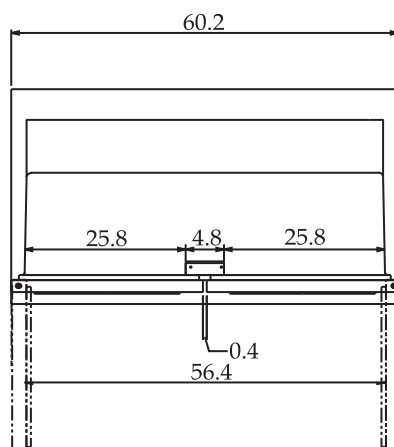
TUR-36SD PLAN VIEW



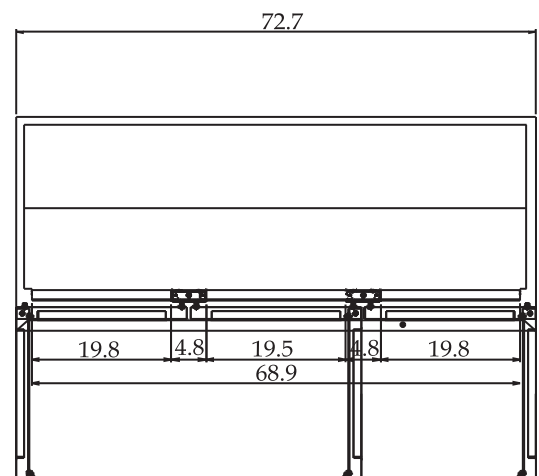
TUR-48SD PLAN VIEW



TUR-28SD* PLAN VIEW



TUR-60SD PLAN VIEW



TUR-72SD PLAN VIEW