

Worktop Refrigerators - Drawers

Worktops
Super Deluxe Series

NEW

Exceptional Quality 2 Years parts and Labor Warranty



TWR-60SD-D2



TWR-60SD-D4



TWR-28SD-D2



TWR-48SD-D2



TWR-48SD-D4

FEATURES / BENEFITS

EFFICIENT REFRIGERATION SYSTEM

Turbo Air's solid door refrigerators are designed with oversized and balanced (CFC Free R-134A) refrigeration systems. These include efficient evaporators and condensers for faster cooling and greater efficiency.

STAINLESS STEEL CABINET CONSTRUCTION

The Turbo Air Super Deluxe model boasts a stainless steel interior and exterior (except the back). It guarantees the utmost in cleanliness and long product life. The Super Deluxe can add a touch of style to the most refined setting.

HIGH-DENSITY POLYURETHANE INSULATION

The entire cabinet structure and solid doors are formed-in-place using high density, CFC free polyurethane insulation.

DURABLE STAINLESS STEEL DRAWERS

Drawers are easy to clean and assemble.

ERGONOMICALLY DESIGNED DOORS & DRAWERS

Customers' fatigue fades away with easy door grip and drawers that open effortlessly. These features along with self-closing doors make this the ultimate choice in customer convenience. ABS sheet door liners resist water condensation with thermal efficiency.

MAGNETIC DOOR GASKETS

Magnetic door and drawer gaskets are of one piece construction, removable without tools for ease of cleaning and replacement.

HOT GAS CONDENSATE SYSTEM

Through Turbo Air's creative innovation, the condensate system surfaces have been specially treated to resist corrosion. This not only increases efficiency without the risk refrigerant leakage from corrosion, but also prevents the overflow of condensate water.

REFRIGERATOR HOLDS 33°F ~ 38°F FOR THE BEST IN FOOD PRESERVATION

Model	Swing Door	Drawers	CU./FT.	#of Shelves	HP	AMPS	Crated Weight	L D H
TWR-28SD-D2	-	2	7	-	1/3	66	180	27 1/2 x 30 x 33 1/2
TWR-48SD-D2	1	2	12	1 ea	1/3	65	264	48 1/4 x 30 x 33 1/2
TWR-48SD-D4	-	4	12	-	1/3	65	271	48 1/4 x 30 x 33 1/2
TWR-60SD-D2	1	2	16	1 ea	1/3	89	299	60 1/4 x 30 x 33 1/2
TWR-60SD-D4	-	4	16	-	1/3	99	312	60 1/4 x 30 x 33 1/2

* Height does not include 6-1/2" for caster height.

TWR MODELS SPECIFICATIONS

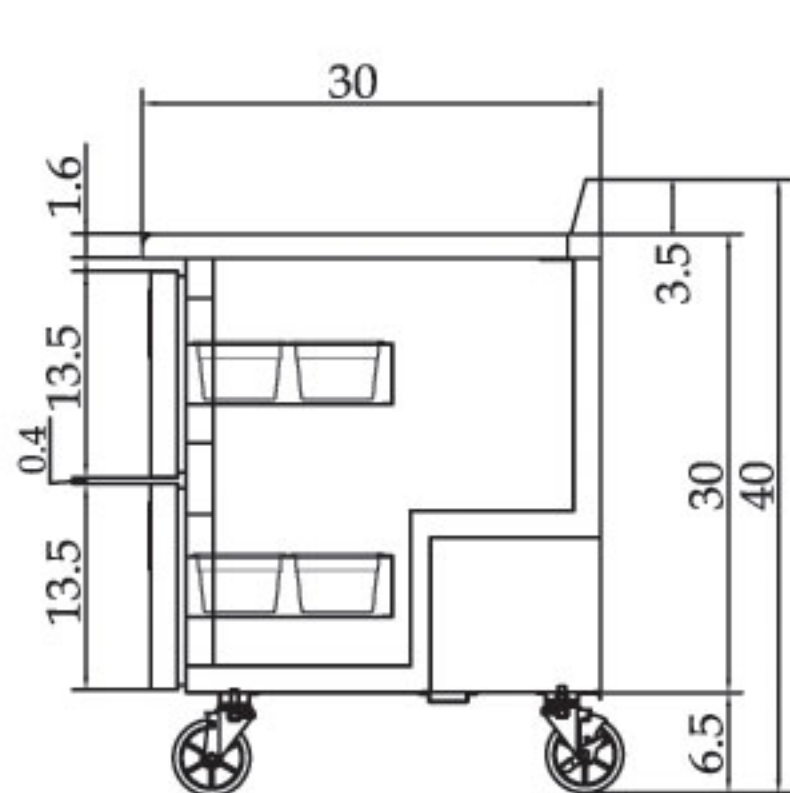
MODEL	TWR-28SD-D2	TWR-48SD-D2	TWR-48SD-D4	TWR-60SD-D2	TWR-60SD-D4
Exterior Dimension(LxDxH)	27 1/2x30x34 1/8	48 1/4x30x34 1/8	48 1/4x30x34 1/8	60 1/4x30x34 1/8	60 1/4x30x34 1/8
Cubic Feet	7	12	12	16	16
Compressor (HP)	1/3	1/3	1/3	1/3	1/2
# of Shelves	-	1ea	-	1ea	-
Net Weight	163 lbs	242 lbs	249 lbs	261 lbs	274 lbs
Voltage (i) NEMA-5-15P	(i)115/60/1	(i)115/60/1	(i)115/60/1	(i)115/60/1	(i)115/60/1
Amp	6.6A	6.5A	6.5A	8.9A	9.9A
Cord Length (ft.)	9	9	9	9	9
Plug-In	NEMA 5-15P	NEMA 5-15P	NEMA 5-15P	NEMA 5-15P	NEMA 5-15P

*Design and specifications subject to change without notice.

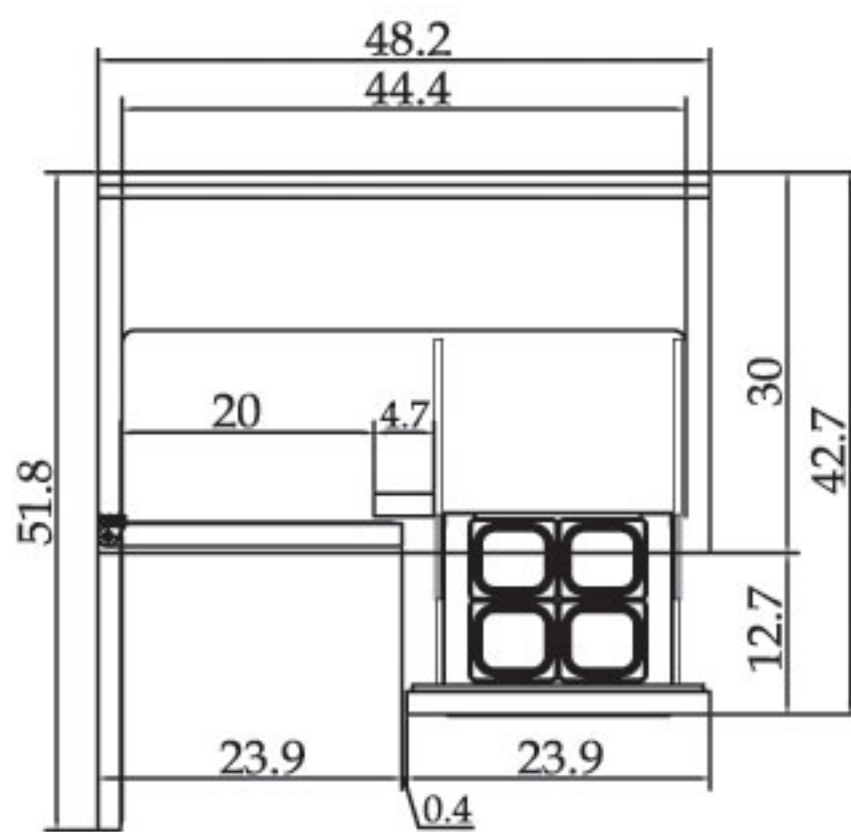
- **SELF-CONTAINED SYSTEM**
- **5" SWIVEL CASTERS**
- **2.5" CASTERS AVAILABLE FOR ALL MODELS (OPTIONAL)**
- **LEGS AVAILABLE FOR ALL MODELS (OPTIONAL)**
- **REMOTE CABINETS AND CONDENSING UNITS AVAILABLE FOR ALL MODELS.**

- **WARRANTY : 2 Years Labor and Parts Warranty
Additional 3 Years Warranty on Compressor**

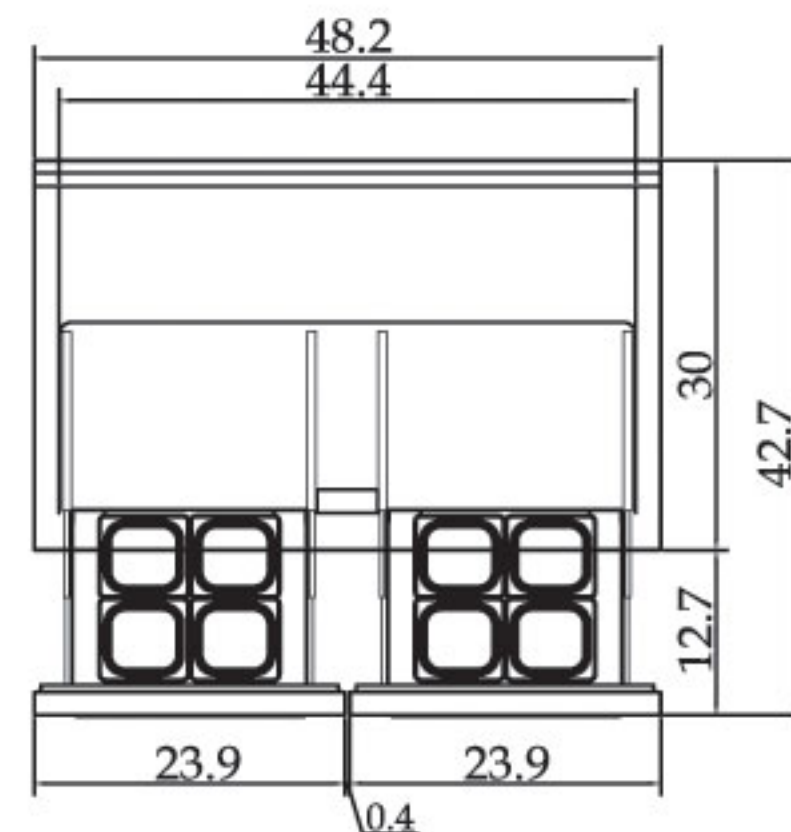
(unit : inch)



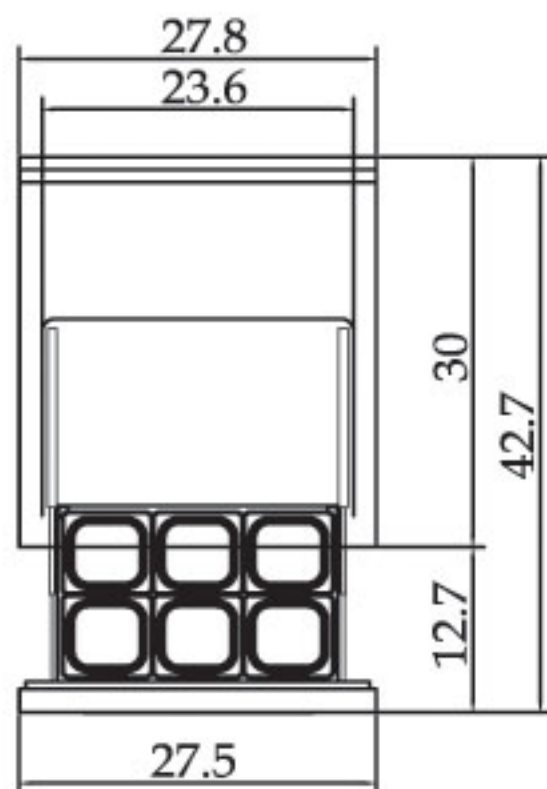
SIDE VIEW



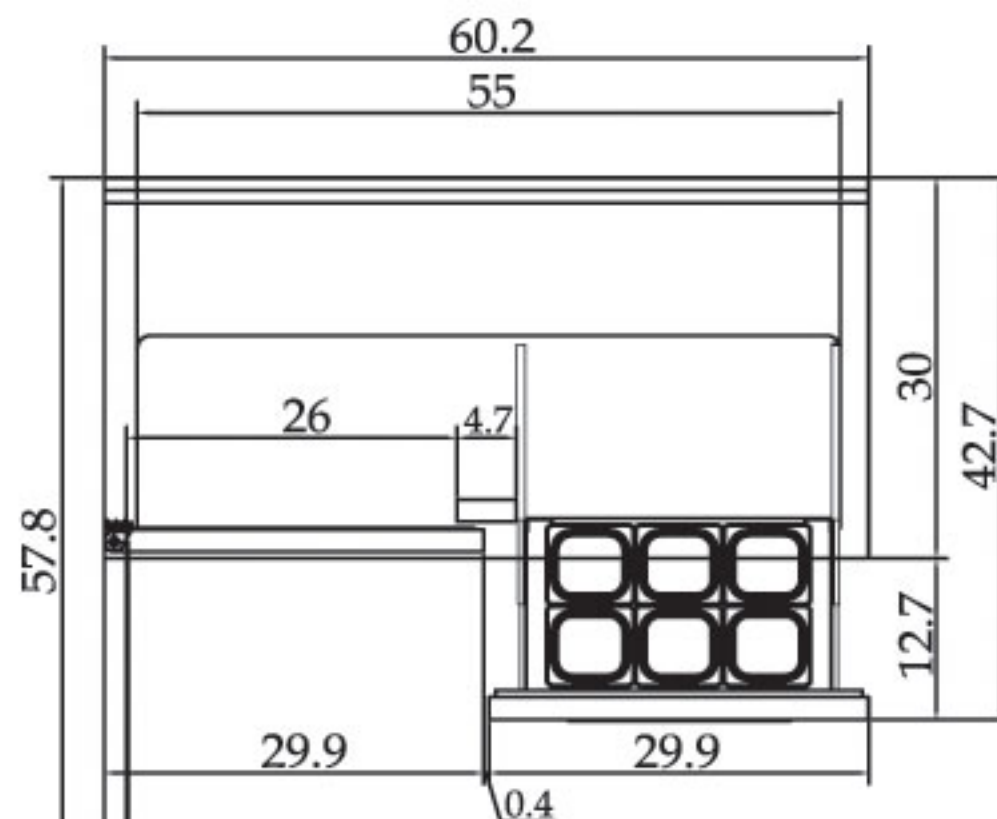
TWR-48SD-D2 PLAN VIEW



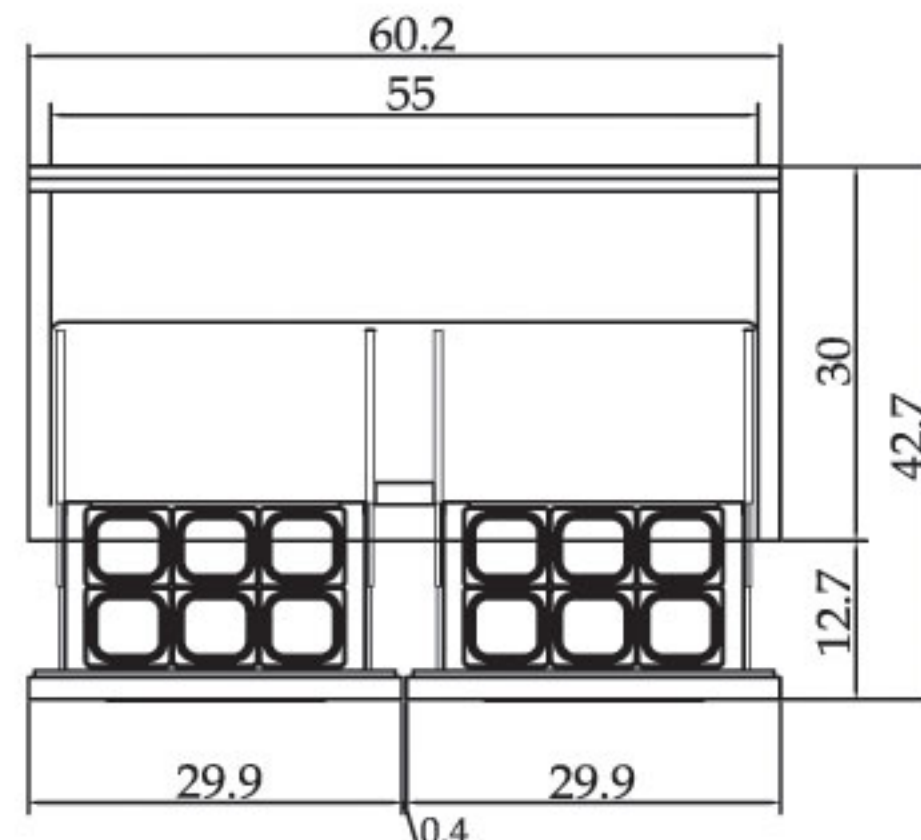
TWR-48SD-D4 PLAN VIEW



TWR-28SD-D2 PLAN VIEW



TWR-60SD-D2 PLAN VIEW



TWR-60SD-D4 PLAN VIEW