



# BEVERAGE-AIR

PO Box 5932, Spartanburg, SC 29304  
1-888-845-9800 Fax# 1-864-582-5083  
<http://www.Beverage-Air.com>

## Commercial Refrigeration Equipment General Specification

### UCR-SERIES UNDERCOUNTER UNITS

Whenever space is a limiting factor and health inspection approval is critical, compact, shallow-depth refrigerators and freezers have provided the answer. Single door refrigerator and matching freezer are only 20" wide by 21" deep. Overall, height on 6" legs supplied is 31". Two-door companion refrigerator is 34" wide by 23" deep.

### CABINET CONSTRUCTION

Models feature construction with stainless steel exteriors and anodized aluminum interiors.

Cabinets are insulated with 2" thick foamed-in-place polyurethane insulation for maximum energy conservation and structural integrity. Doors are mounted to cabinet on self-closing, cartridge style hinges with 120° stay open position. Doors are equipped with a snap-in-place vinyl magnetic gasket for positive seal. Convenient, double pull style door handle is made of black anodized aluminum. 6" high legs are standard. Cabinet interior standard with 2 steel wire epoxy coated shelves per section.

### REFRIGERATION

Balanced refrigeration systems provide refrigerator holding temperatures of 35° to 38° range. Freezer model temperature is held at zero and below. Refrigerants used are R134a in the refrigerators and 404a in the freezer. Both are CFC free providing full compliance with environmental concerns. Interior forced-air system with high humidity evaporator coils, provides the ideal environment for food preservation.

### ELECTRICAL

Units wired at factory and ready for connection to a 115/60/1 phase, 15 amp dedicated outlet. 8' long cord and plug set included.

### SPECIAL FEATURES

- Cartridge style door hinges provides positive seal & eliminates door sagging issues (excludes glass door and some special units).
- Optional 3" or 6" casters available

Item No. \_\_\_\_\_  
Quantity \_\_\_\_\_

## SHALLOW DEPTH UNDERCOUNTER REFRIGERATORS AND FREEZERS FOOD PREPARATION SERIES

**MODELS:**  
UCR20  
UCF20  
UCR27  
UCR34



UCR / UCF20



UCR27



UCR34

### ELECTRICAL CONNECTION

Units pre-wired at factory and include 8' long cord and plug set.



115/60/1  
NEMA-5-15P

Available From:



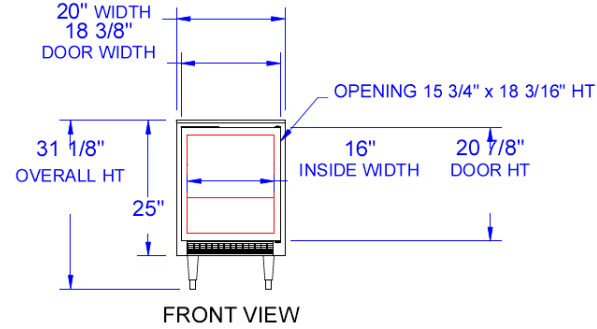
<b>Model Specified</b> _____	<b>Store#</b> _____
<b>Location</b> _____	<b>Quantity</b> _____



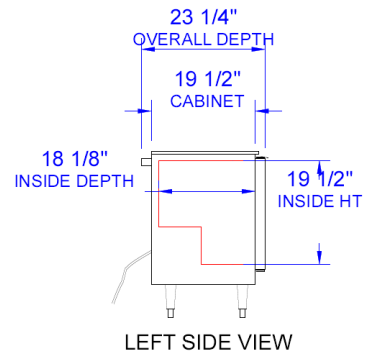
**Shallow Depth Undercounter Refrigerators/Freezers**  
**Models: UCR20, UCF20, UCR27, UCR34**

MODEL	UCR20	UCF20	UCR27	UCR34
<b>EXTERNAL DIMENSIONAL DATA</b>				
Length Overall (inches)	20"	20"	27"	34"
Length Overall (mm)	508	508	686	864
Depth Overall (inches) - Less handle	23 1/4"	23 1/4"	27 3/4"	23 5/8"
Depth Overall (mm) - Less handle	591	591	705	600
Height Overall—on 6" legs (inches)	31 1/8"	31 1/8"	34 1/2"	31"
Height Overall—on 6" legs (mm)	791	791	876	787
Depth with Door Open 90 °	40 1/2"	40 1/2"	53 1/4"	38"
Clear Door Opening (inches)	15 3/4" x 18 3/16"	15 3/4" x 18 3/16"	22 1/2" x 21 3/8"	13/ 1/8" x 18"
Number of doors	1	1	1	2
<b>INTERNAL DIMENSIONAL DATA</b>				
NET Capacity (cubic ft.)	2.7	2.7	6.2	5.5
NET Capacity (Liters)	77	77	176	156
Internal Length Overall (inches)	16"	16"	23"	29 3/8"
Internal Length Overall (mm)	406	406	584	746
Internal Depth Overall (inches)	18 1/8"	18 1/8"	18"	17"
Internal Depth Overall (mm)	460	460	457	432
Internal Height Overall (inches)	19 1/2"	19 1/2"	23"	19"
Internal Height Overall (mm)	495	495	584	483
Number of shelves	2	2	2	4
<b>ELECTRICAL DATA</b>				
Full Load Amperes 115/60/1	3.0	5.3	4.0	4.0
<b>ENERGY CONSUMPTION (KWH)</b>	2.73	6.18	2.79	3.12
<b>REFRIGERATION DATA</b>				
Horsepower	1/6	1/4	1/6	1/5
<b>WEIGHT DATA</b>				
Gross Weight (Crated lbs)	111	119	157	158
Gross Weight (Crated kg)	50	54	71	72

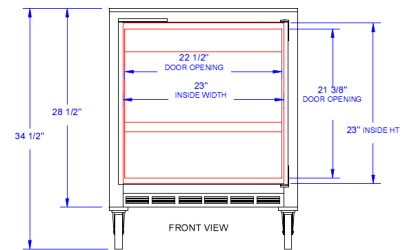
**PLAN VIEWS**



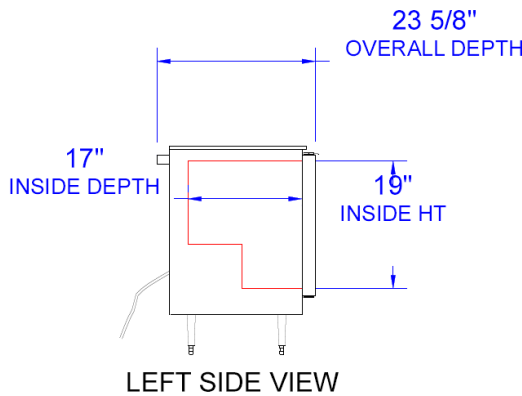
**UCRF20 FRONT**



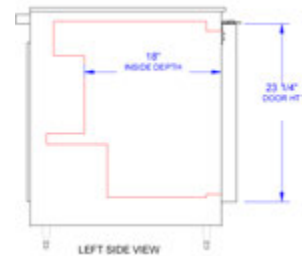
**UCRF20 END**



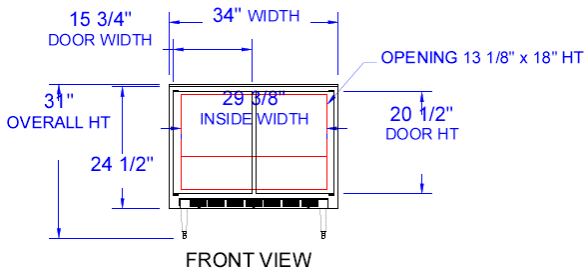
**UCR27 FRONT**



**UCR34 FRONT**



**UCR27 END**



**UCR34 FRONT**



**BEVERAGE-AIR® CORPORATION**

700 Buffington Road • PO Box 5932 • Spartanburg, SC 29304 USA • (864) 582-8111 • Fax (864) 582-5083 • (888) 845-9800 • www.beverage-air.com

Specifications are subject to change without prior notice. 07/09