



## GAS FRYERS (Floor Model)

### Models: 718LCG, 724CG, 734CG

Belshaw's 700 series gas-heated Open Kettle Fryers are designed to efficiently produce high quality donuts. Our tube-burner design offers superior performance over flat-bottom fryers by providing a cold zone under the fryer tubes. This cold zone collects deposits and ensures longer shortening life and higher quality donuts.

Belshaw has leveraged its specialization in donut production to add design features that add value for our customers. Our 'Controlled Combustion' burner tube technology leads the industry in gas efficiency, generating savings throughout the life of the fryer.

Belshaw's 700 series Open Kettle Fryers accommodate the EZ Melt under-kettle shortening melter/filter as well as Belshaw Type 'B' and Type 'F' donut depositors. Easy-to-use submerger screens can be added to further improve production efficiency.

Belshaw provides a full line of complementary equipment that saves labor cost and improves quality consistency:

- EP18-24 Proofing Cabinet
- Type 'B' and Type F cake donut depositors
- EZ Melt Shortening Melter-Filter
- SF Shortening Filter
- HI24 Production Icers
- H&I 2-4 Icing Tables
- HG, HGEZ Hand Glazers

### Products made commercially using floor model gas fryers:

- |                    |                                 |
|--------------------|---------------------------------|
| • Donuts           | • Fritters, fried dough         |
| • Hushpuppies      | • Crab cakes, clam strips       |
| • Funnel cakes     | • Fried corn                    |
| • Elephant ears    | • Fried vegetables              |
| • Fried pies       | + More fried goods of all kinds |
| • Loukoumathes     |                                 |
| • Falafel          |                                 |
| • Paczkis, porogis |                                 |
| • Beignets         |                                 |



**Belshaw 724CG Gas Fryer  
(with Type 'F' donut depositor,  
EZ Melt filter and submerger)**



718LCG gas fryer (18" x 26")



724CG gas fryer (24" x 24")



734CG gas fryer (34" x 24")



Frying screen (identical to proofing screen, but has bolt-on handles). Screens are reinforced wire mesh, spaced 1/4" (6mm) apart, manufactured from nickel-plated steel.



Screen cradle and proofing screen. The best way to transfer raised donuts from proofer to fryer.



Detachable handles and proofing screen. For cake or raised donuts.

**Standard Features**

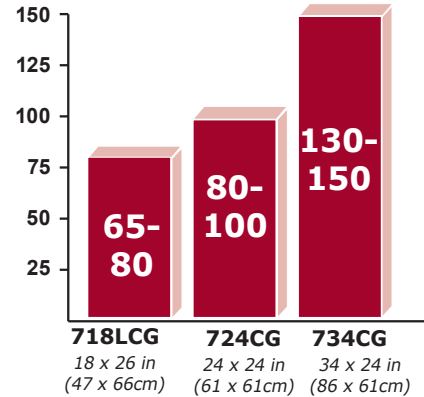
- Electronic ignition on all models
- Fryers are equipped for natural gas. A conversion kit is available for changeover to Liquid Propane.
- Stainless steel tank, cabinet, and drain tray (specify whether drain tray should be on left or right side when ordering).
- 2 nickel plated cake donut frying screens with bolt-on heat dissipating handles.
- Adjustable legs boltable to floor.
- Drain valve control accessible on exterior of fryer.

**Options**

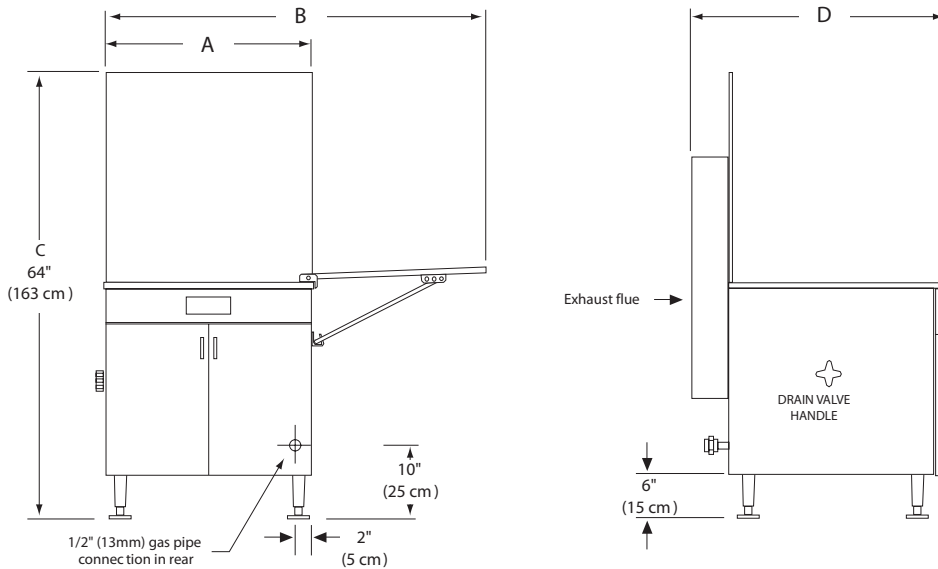
- Draft inducer
- Screen cradle (enables screen insertion and removal without handles).
- Submerger
- Liquid propane

**700 Series Fryers Capacity Chart**

(Dozen donuts/hour @ 90-second frying time. Production will vary depending on product size, shortening temperature and composition of donut)



**718LCG/724CG/734CG Gas Fryers**



**Dimensions**

| MODEL  | A            | B          | C          | D           | FRYING AREA             | SHORTENING CAPACITY | APPROX. SHIPPING WEIGHT |
|--------|--------------|------------|------------|-------------|-------------------------|---------------------|-------------------------|
|        | Width closed | Width open | Height     | Depth       |                         |                     |                         |
| 718LCG | 25"(64cm)    | 46"(117cm) | 64"(163cm) | 39"(99cm)   | 18" x 26" (46cm x 66cm) | 94lbs (43kg)        | 280 lbs (130 kg)        |
| 724CG  | 30"(76cm)    | 55"(140cm) | 64"(163cm) | 37"(94cm)   | 24" x 24" (61cm x 61cm) | 106lbs (48kg)       | 310 lbs (140 kg)        |
| 734CG  | 40"(102cm)   | 75"(191cm) | 64"(163cm) | 37.5"(95cm) | 24" x 34" (61cm x 86cm) | 195lbs (89kg)       | 450 lbs (205 kg)        |

**Gas and Electrical**

| MODEL  | VOLTAGE (either/or) |      | GAS PRESSURE |                                             |
|--------|---------------------|------|--------------|---------------------------------------------|
|        | BTU/hr              | Amps | Nat. Gas     | Propane                                     |
| 718LCG | 44,000              | 5 A  | 120V / 240 V | 7 in W.C. (1742 pa) / 11 in W.C. (2740 pa). |
| 724CG  | 60,000              | 5 A  | 120V / 240 V |                                             |
| 734CG  | 89,000              | 5 A  | 120V / 240 V |                                             |

**Screen Size And Weight**

| MODEL | SCREEN SIZE            | APPROX. SHIPPING WEIGHT (Box of 12) |
|-------|------------------------|-------------------------------------|
| 718CG | 17" x 25" (43 x 63 cm) | 45 lbs (21 kg)                      |
| 724CG | 23" x 23" (58 x 58 cm) | 55 lbs (25 kg)                      |
| 734CG | 23" x 33" (43 x 63 cm) | 75 lbs (34 kg)                      |