

## DCR Series, High Volume Curved Glass Refrigerated Deli Display Case



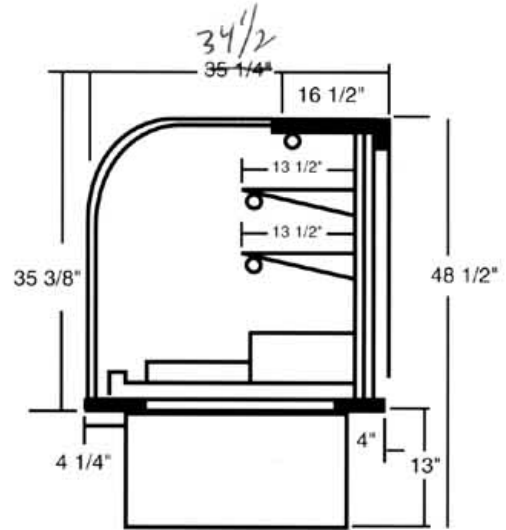
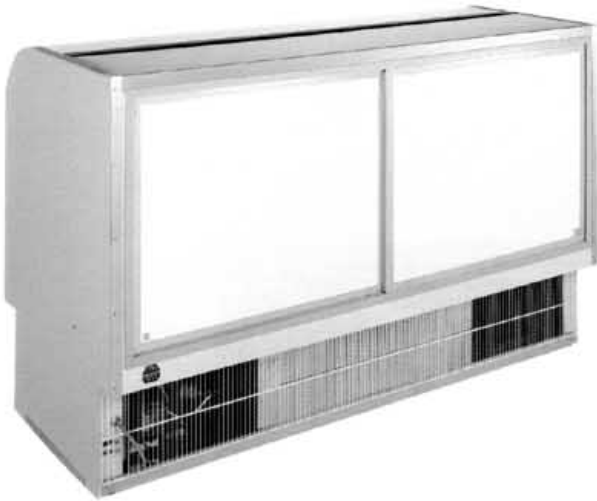
*model shown DCR-48*



7453 Northwest 32nd Avenue, Miami, Florida 33147 • (305) 691-0500  
Fax (305) 691-1212



DCR Series, Curved Glass Deli Display Cases



**STANDARD FEATURES**

- Curved insulated safety glass
- Full length fluorescent lighting installed at top of case and under each shelf
- Electrical cord and plug
- Air cooled low velocity refrigeration system mounted on easy removable slide in and out base
- Two adjustable stainless steel shelves
- Hundreds of colors at **NO** additional cost
- Mirror interior ends
- Mirror interior sliding doors, white on exterior doors
- Mirror stainless steel top
- Mirror stainless steel front grill
- Stainless steel step up display on main deck
- Condensate evaporator eliminates need for drain

model	length	height	depth	row of shelves	amps	voltage	H.P.	est. weight
DCR-48	49" 48"	48 1/2"	34 1/2" 35 1/4"	2	12 amps	120/60/1	1/3	665 lbs
DCR-59	60" 59"	48 1/2"	34 1/2" 35 1/4"	2	16 amps	120/60/1	1/2	780 lbs
DCR-77	78" 77"	48 1/2"	34 1/2" 35 1/4"	2	16 amps	120/60/1	1/2	970 lbs

**NOTE:** Designed for use in locations with air conditioning, where temperature and relative humidity DO NOT exceed 75°F and 55% R.H. (Excessive condensation & loss of temperature may occur).

We reserve the right to change specifications and or colors of interior and or exterior parts at our own discretion without notice.

