

**WBCH Series, Curved Glass Electric Hot Food Display Cases
(Wet Heat or Dry Heat)**



model shown WBCH-48



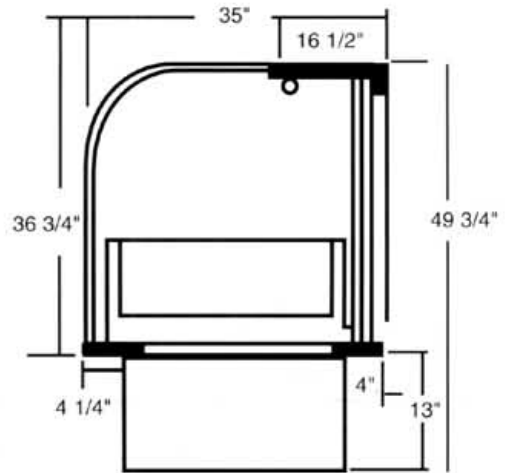
7453 Northwest 32nd Avenue, Miami, Florida 33147 • (305) 691-0500
Fax (305) 691-1212
www.marcrefrigeration.com



WBCH Series, Curved Glass Electric Hot Food Display Case:



model shown WBCH-48



STANDARD FEATURES

- 100's of color choices at no extra cost
- Curved tempered safety glass
- Full length fluorescent lighting installed at top of case
- Electrical cord and plug for light
- Wet heat or Dry heat capability
- Individual thermostatic controls for each well
- 220 volt for heaters in single phase or three phase
- Mirror interior ends
- Mirror interior sliding doors, white on exterior doors
- Mirror stainless top
- Gate valve provided for each well

Marc's WBCH Series Hot Food cases are available in 48", 59" and 77". They match up to Marc's BCR and BCD line, too!

model	HEIGHT length	LENGTH height	depth	no. of wells	electrical lighting	electrical volts & amps single phase	electrical volts & amps three phase	approx. weight
WBCH-48	49 1/4"	48 3/4"	35"	3	115V - 1.4 a	208-240/1/60 - 13.5-15 a	208-240/3/60 - 7.7-8.6 a	665 lbs
WBCH-59	49 1/4"	59 3/4"	35"	3*	115V - 1.4 a	208-240/1/60 - 13.5-15 a	208-240/3/60 - 7.7-8.6 a	780 lbs
WBCH-77	49 1/4"	77 3/4"	35"	5	115V - 1.4 a	208-240/1/60 - 20.3-25.0 a	208-240/3/60 - 15.4-17.2a	970 lbs

*PLEASE NOTE: The WBCH-59 will accommodate only 3 well openings not 4.

We reserve the right to change specifications and or colors of interior and or exterior parts at our own discretion without notice.

