



TRUE FOOD SERVICE EQUIPMENT, INC.

St. Charles Industrial Center • P.O. Box 970 • O'Fallon, Missouri 63366
(636)240-2400 • FAX (636)272-2408 • (800)325-6152 • www.truemfg.com

Project Name: _____

AIA #

Location: _____

SIS #

Item #: _____ Qty: _____

Model #: _____

T-Series Glass Door Models



T-35G

TRUE, rated the #1 brand in America.

Glass Door Reach-In Refrigerators (two/three door models)

T-35G, T-49G, T-72G

SPECIFICATIONS / FEATURES

CABINET CONSTRUCTION:

- 300 series stainless steel front grill, shroud. Anodized quality aluminum exterior ends and back.
- NSF approved, white vinyl coated aluminum and 300 series stainless floor with coved corners.
- Barrel lock standard for each door. Locks keyed alike. Dial exterior mounted temperature monitor.
- Cabinet mounted on a welded, galvanized frame rail, painted for additional corrosion protection. Frame rail fitted with 4" diameter castors, front castors include brakes.

DOORS:

- Triple pane thermal insulated glass assembly within extruded aluminum frame, with reinforcing backing plates in each corner. Glass assembly replaceable without removing the door from hinges.
- Lifetime guaranteed adjustable torsion type closure system with aluminum block supports. The face of each door fitted with a 15" long handle of same material as door frame.

INSULATION:

- Entire cabinet structure insulated using foamed-in-place CFC free polyurethane foam.

SHELVING:

- Adjustable vinyl coated wire shelves (3 per section). Shelves capable of supporting up to 250 lbs.
- Full height shelf support pilasters, with double oblong holes on 1/2" centers. Pilasters made of the same material as cabinet interior. Four (4) chrome plated, stainless steel shelf clips to be included for each shelf.

LIGHTING:

- Fluorescent interior lighting, completely inter-wired to light switch.

REFRIGERATION SYSTEM:

- Refrigeration system factory balanced using CFC free 134A refrigerant.
- Bottom mounted condensing unit - easy access for maintenance.
- Factory pre-engineered capillary tube system with oversized condenser and evaporator to reduce product pull down time and to consistently maintain 33°F to 38°F interior cabinet temperature. (non-adjustable capillary tube system superior to problematic expansion valve)
- Evaporator - epoxy coated at the time of manufacture to eliminate the potential of corrosion.

ELECTRICAL CHARACTERISTICS:

- Unit completely pre-wired at factory, and ready for final connection to a 115/60/1 phase - 15 amp dedicated outlet. A cord and plug set to be included.
- A sole use circuit is required.



115/60/1
NEMA-5-15R

Also available:

- Single Door Models
- Solid Door Models
- Half and Combination Doors
- Slide Door Models
- Freezers
- All Stainless Steel In / Out
- Heated Cabinet (solid & glass door)

Remote cabinets available 14% off list
(condensing units supplied by others).
Consult factory technical service dept. for BTU information.

Specifications subject to change without notice.

Printed in
U.S.A.



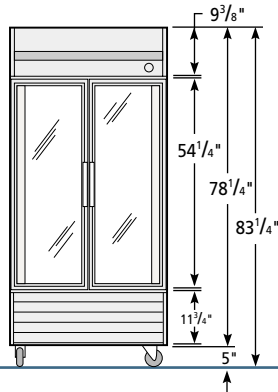
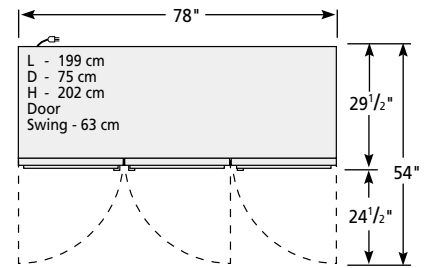
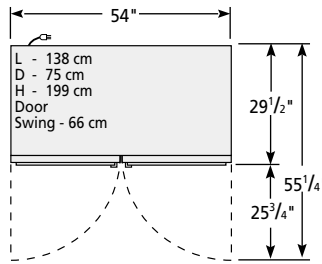
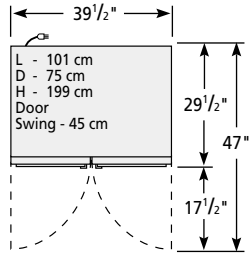
APPROVALS:

2/03

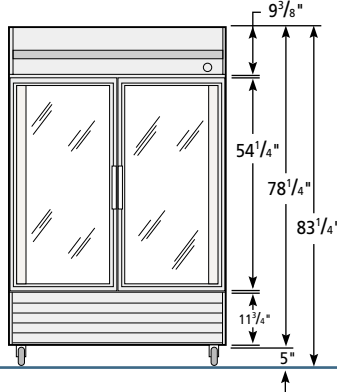
Exceptions:



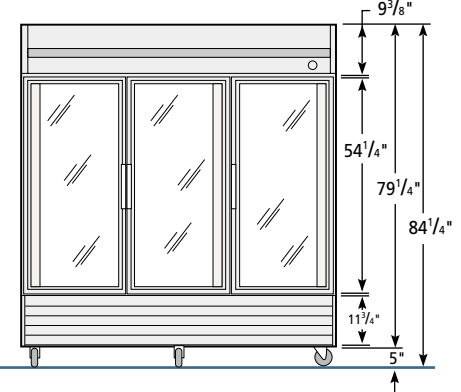
T-Series: Glass Door Reach-In Refrigerators (two/three door models)



T-35G



T-49G



T-72G

Rough-In Data

Model	Doors	Capacity (Cu. Ft)	# of Shelves	Dimensions (inches)			HP	Volts	PH	Amps	NEMA Config.	Cord Length (feet)	Crated Weight
				L	D‡	H†							
T-35G	2	35	6	39 1/2	29 1/2	78 1/4	1/2	115	1	9.8	5-15	9	384
T-49G*	2	49	6	54	29 1/2	78 1/4	1/2	115	1	10.0	5-15	9	480
T-72G*	3	72	9	78	29 1/2	79 1/4	1/2	115	1	12.9	5-15	9	673

* Available with solid half doors, glass half doors & combination solid/glass half doors
 † Height does not include 5" for castors or 6" for optional legs.
 ‡ Depth does not include 1 3/8" for door handle.

Specifications subject to change without notice.

Standard Features

- Oversized and balanced, environmentally friendly (134A) refrigeration system - holds 33°F to 38°F.
- 300 series stainless steel front.
- Interior - NSF approved, white vinyl coated aluminum sides and top, 300 series stainless steel floor with coved corners.
- Anodized quality aluminum top, sides and back.
- Triple pane thermal insulated glass doors. Double insulation for greater energy savings. Exterior pane is tempered for safety.
- Exterior mounted temperature monitor.
- Door locks standard.
- Magnetic door gaskets
- Adjustable vinyl coated wire shelves
- Epoxy coated evaporator
- Fluorescent interior lighting; patented, integrated door light (IDL) standard.
- 4" diameter swivel castors standard equipment - locking castors provided for front set.
- Foamed-in-place high density polyurethane insulation (CFC free).
- Slide out compressor can be serviced easily and accessed by a single repairman.
- 1 year parts & labor warranty (USA).
- 5 year compressor warranty.

Optional Accessories

- Available with 6" stainless steel or optional seismic legs.
- Additional shelves available.
- T-49G, T-72G available with optional novelty baskets.
- T-72G available with optional wine racks.

	Model	Front	Right	Plan	3D
	T-35G	TFEY08E	TFEY08S	TFEY08P	TFEY083
	T-49G	TFEY07E	TFEY07S	TFEY07P	TFEY073
	T-72G	TFEY05E	TFEY05S	TFGY04P	TFEY053

Clearance Required For Coolers (USA)		
Sides Inches/mm	Top Inches/mm	Rear Inches/mm
0 / 0	0 / 0	1 / 26



TRUE FOOD SERVICE EQUIPMENT